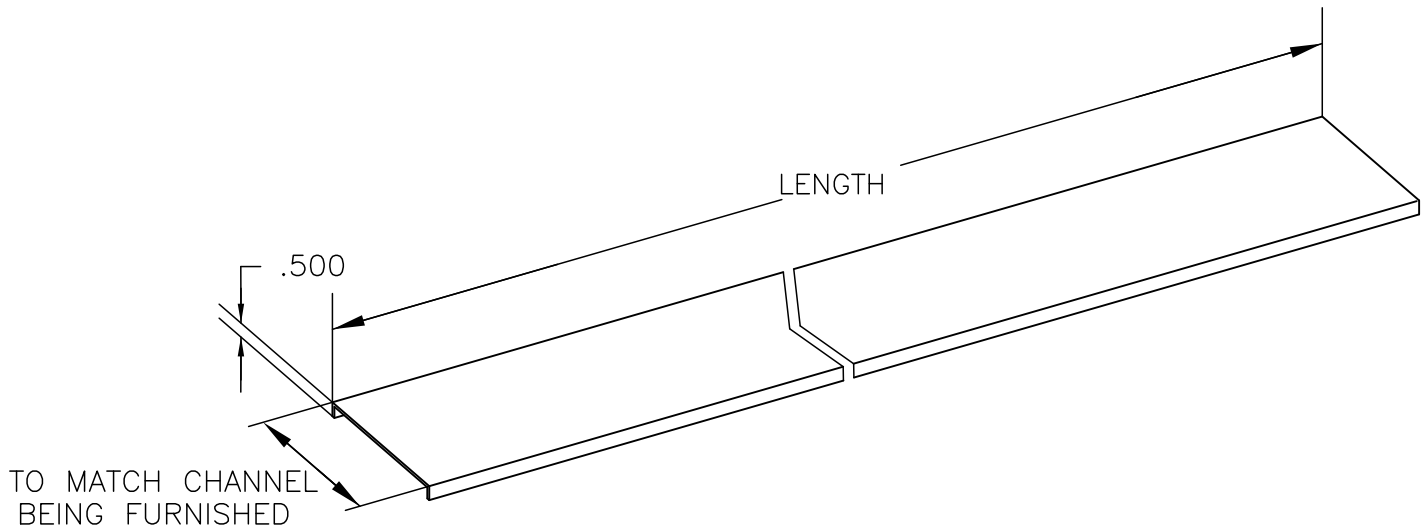


ALUMINUM CABLE CHANNEL
COVER STRAIGHT SECTION



COVER TYPE	DETAIL	MATERIAL	WIDTH (INCHES)	LENGTH
80	8=FLANGED	A=ALUMINUM	80	144=12 FT
			8	120=10 FT
			A-03	72=6 FT
			-144	60=5 FT



EATON, B-LINE DIVISION
509 WEST MONROE STREET
HIGHLAND, ILLINOIS 62249-0326
PHONE (618) 654-2184
FAX (618) 654-5499

TITLE:
ALUMINUM FLANGED CABLE CHANNEL
STRAIGHT SECTION COVER

EQUIPMENT FURNISHED HAS BEEN FABRICATED
IN ACCORDANCE WITH THIS DRAWING.

THIS DRAWING AND/OR THE TECHNICAL INFORMATION CONTAINED HEREON IS THE PROPERTY OF EATON CORPORATION ("EATON"), AND IS ISSUED IN CONFIDENCE FOR EATON ENGINEERING PURPOSES ONLY AND MAY NOT BE REPRODUCED OR USED FOR ANY PURPOSE WHATSOEVER WITHOUT THE EXPRESS WRITTEN PERMISSION OF EATON TO THE USER. THIS DRAWING AND/OR TECHNICAL INFORMATION IS THE PROPERTY OF EATON AND IS LOANED FOR MUTUAL ASSISTANCE, TO BE RETURNED WHEN ITS INTENDED PURPOSE HAS BEEN SERVED.

PRODUCT DWG. NO'S:

SHEET OF

DRAWN BY:
DR

DRAWING NO.
S00004105-A

DATE:
4/1/03