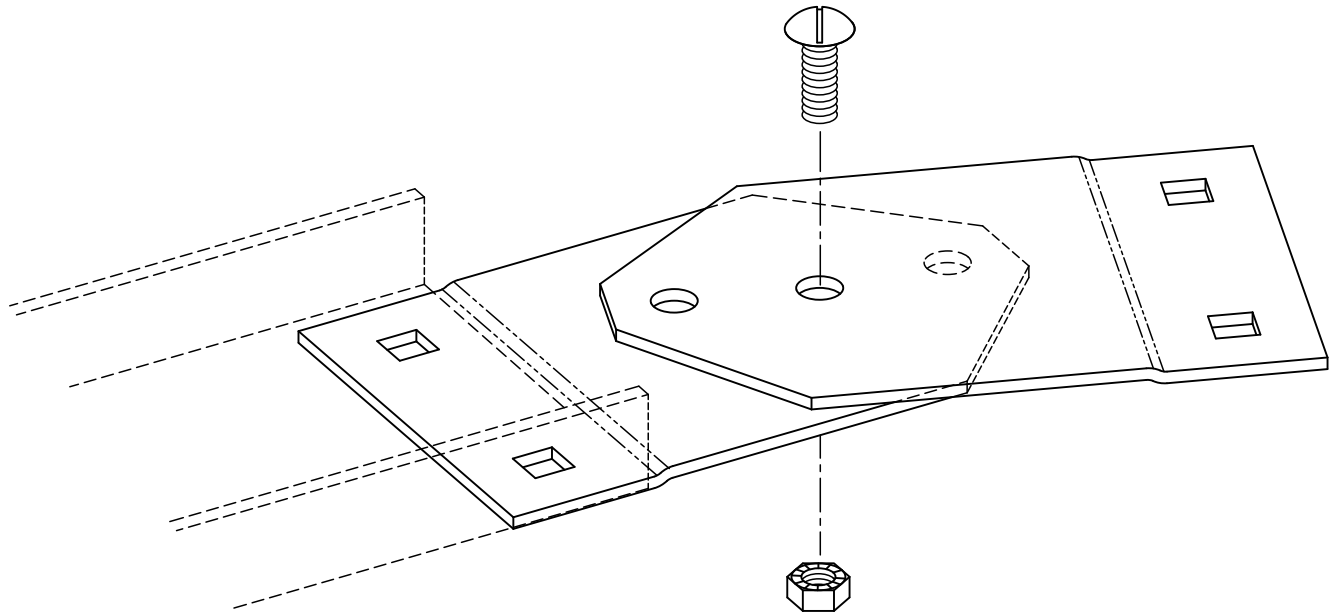


HORIZONTALLY ADJUSTABLE SPLICE PLATE FOR CABLE CHANNEL



PART NO.	MATERIAL
9A-1743	.125 ALUM.
9A-1744	
9A-1746	
9*-1743	11 GA. STEEL
9*-1744	
9*-1746	

HARDWARE INCLUDED:

- 2 PCS. 3/8 X 1 SRHM
- 4 PCS. 3/8 X 3/4 SNC
- 6 PCS. 3/8 SFHN LOCK NUT

* - INSERT

P FOR PRE-GALV.
SS4 FOR 304 STAINLESS
SS6 FOR 316 STAINLESS
G FOR HOT-DIP GALV.



EATON, B-LINE DIVISION
509 WEST MONROE STREET
HIGHLAND, ILLINOIS 62249-0326
PHONE (618) 654-2184
FAX (618) 654-5499

TITLE: HORIZONTALLY ADJUSTABLE
SPLICE PLATE
FOR CABLE CHANNEL

EQUIPMENT FURNISHED HAS BEEN FABRICATED
IN ACCORDANCE WITH THIS DRAWING.

THIS DRAWING AND/OR THE TECHNICAL INFORMATION CONTAINED HEREON IS THE PROPERTY OF EATON CORPORATION ("EATON"), AND IS ISSUED IN CONFIDENCE FOR EATON ENGINEERING PURPOSES ONLY AND MAY NOT BE REPRODUCED OR USED FOR ANY PURPOSE WHATSOEVER WITHOUT THE EXPRESS WRITTEN PERMISSION OF EATON TO THE USER. THIS DRAWING AND/OR TECHNICAL INFORMATION IS THE PROPERTY OF EATON AND IS LOANED FOR MUTUAL ASSISTANCE, TO BE RETURNED WHEN ITS INTENDED PURPOSE HAS BEEN SERVED.

PRODUCT DWG. NO'S:

4050

SHEET OF

DRAWN BY: TJC

DRAWING NO.
S00004050

DATE: 8/12/97