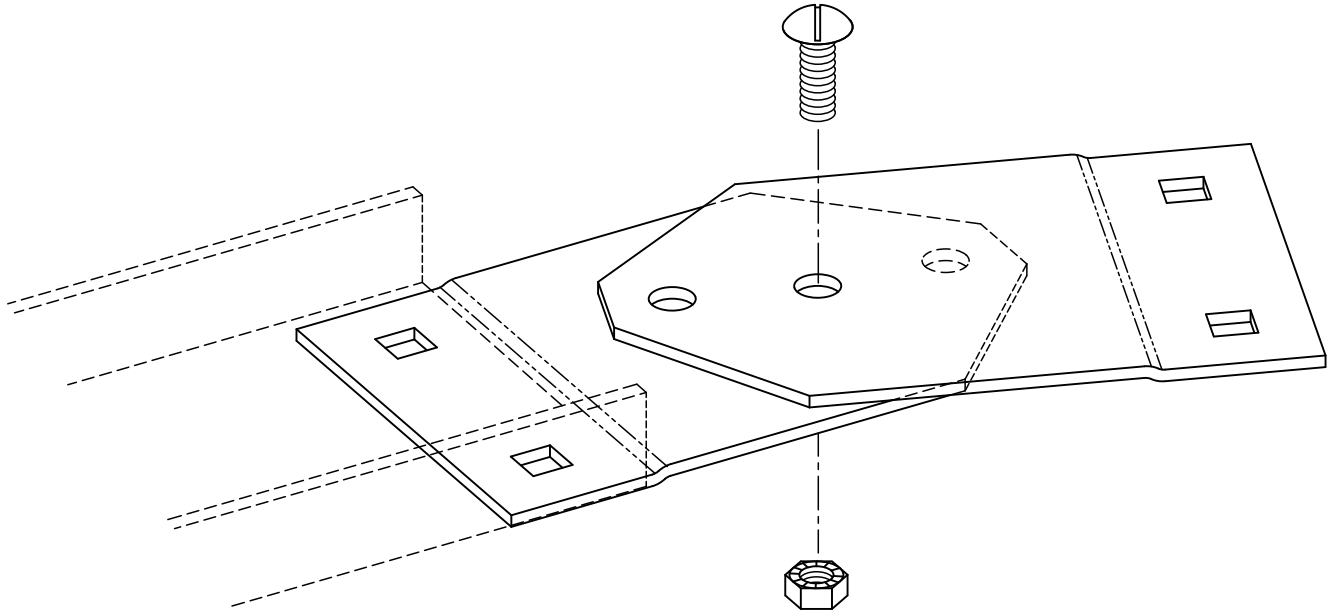


HORIZONTALLY ADJUSTABLE SPLICE PLATE FOR CABLE CHANNEL



| PART NO. | MATERIAL |
|----------|-----------------|
| 9A-1743 | .125 ALUM. |
| 9A-1744 | |
| 9A-1746 | |
| 9*-1743 | 11 GA. STEEL |
| 9*-1744 | |
| 9*-1746 | |

HARDWARE INCLUDED:

- 2 PCS. 3/8 X 1 SRHM
- 4 PCS. 3/8 X 3/4 SNC
- 6 PCS. 3/8 SFHN LOCK NUT

* - INSERT P FOR PRE-GALV.
 SS4 FOR 304 STAINLESS
 SS6 FOR 316 STAINLESS
 G FOR HOT-DIP GALV.



EATON, B-LINE DIVISION
 509 WEST MONROE STREET
 HIGHLAND, ILLINOIS 62249-0326
 PHONE (618) 654-2184
 FAX (618) 654-5499

TITLE: HORIZONTALLY ADJUSTABLE
 SPLICE PLATE
 FOR CABLE CHANNEL

EQUIPMENT FURNISHED HAS BEEN FABRICATED
 IN ACCORDANCE WITH THIS DRAWING.

THIS DRAWING AND/OR THE TECHNICAL INFORMATION CONTAINED HEREON IS THE PROPERTY OF EATON CORPORATION ("EATON"), AND IS ISSUED IN CONFIDENCE FOR EATON ENGINEERING PURPOSES ONLY AND MAY NOT BE REPRODUCED OR USED FOR ANY PURPOSE WHATSOEVER WITHOUT THE EXPRESS WRITTEN PERMISSION OF EATON TO THE USER. THIS DRAWING AND/OR TECHNICAL INFORMATION IS THE PROPERTY OF EATON AND IS LOANED FOR MUTUAL ASSISTANCE, TO BE RETURNED WHEN ITS INTENDED PURPOSE HAS BEEN SERVED.

PRODUCT DWG. NO'S:

4050

SHEET OF

DRAWN BY: TJC

DRAWING NO.
 S00004050

DATE: 8/12/97