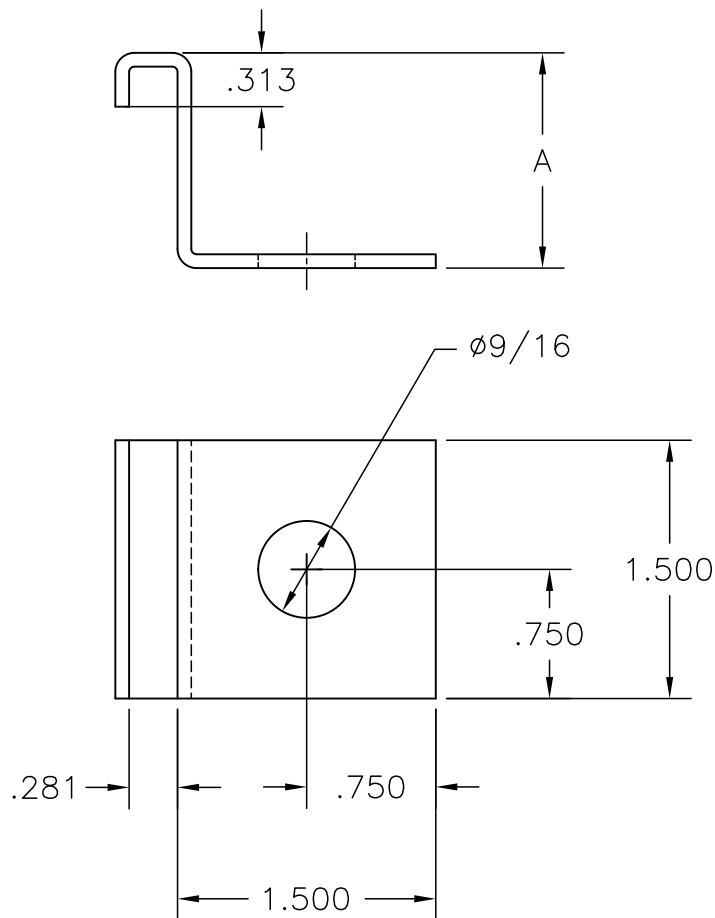


CATALOG NUMBER	A
9A-1243	1.469
9A-1244	1.969
9A-1245	1.281
9A-1246	1.781
9*-1243	1.438
9*-1244	1.938
9*-1245	1.250
9*-1246	1.750

* INSERT - ZN FOR ZINC PLATED
 G FOR HOT DIP GALVANIZED
 SS4 FOR 304 STAINLESS
 SS6 FOR 316 STAINLESS



EATON
 Powering Business Worldwide®

EATON, B-LINE DIVISION
 509 WEST MONROE STREET
 HIGHLAND, ILLINOIS 62249-0326
 PHONE (618) 654-2184
 FAX (618) 654-5499

TITLE: 9*-124(3-6) EXPAN.
 & HOLDDOWN CLP

EQUIPMENT FURNISHED HAS BEEN FABRICATED
 IN ACCORDANCE WITH THIS DRAWING.

THIS DRAWING AND/OR THE TECHNICAL INFORMATION CONTAINED HEREON IS THE PROPERTY OF EATON CORPORATION ("EATON"), AND IS ISSUED IN CONFIDENCE FOR EATON ENGINEERING PURPOSES ONLY AND MAY NOT BE REPRODUCED OR USED FOR ANY PURPOSE WHATSOEVER WITHOUT THE EXPRESS WRITTEN PERMISSION OF EATON TO THE USER. THIS DRAWING AND/OR TECHNICAL INFORMATION IS THE PROPERTY OF EATON AND IS LOANED FOR MUTUAL ASSISTANCE, TO BE RETURNED WHEN ITS INTENDED PURPOSE HAS BEEN SERVED.

PRODUCT DWG. NO'S:

3778

SHEET OF

DRAWN BY:

DWK

DRAWING NO.
 S00003778

DATE: 9/2/99