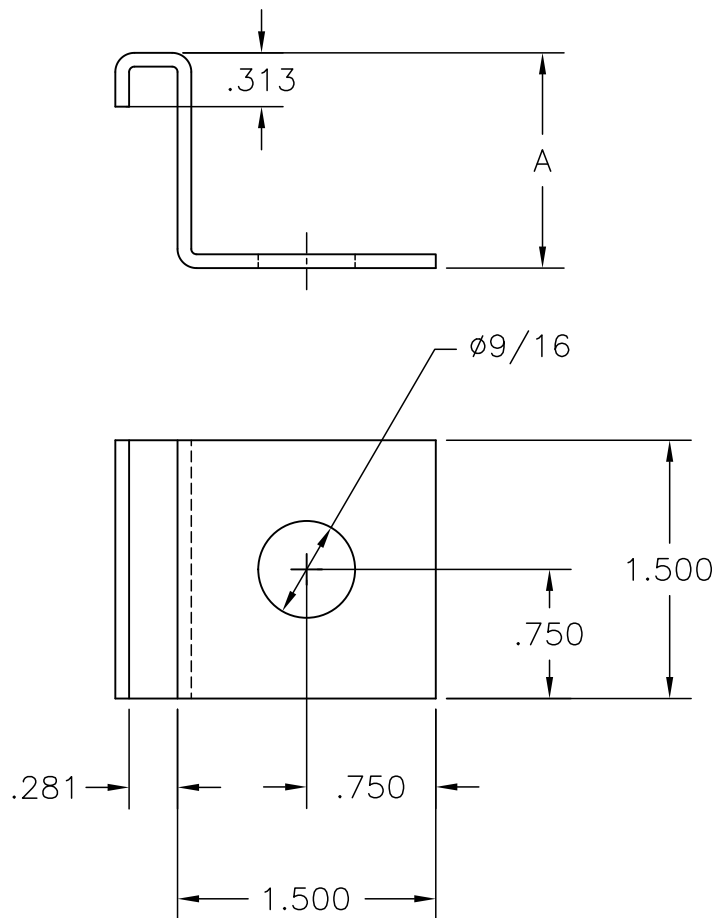


| CATALOG NUMBER | A     |
|----------------|-------|
| 9A-1243        | 1.469 |
| 9A-1244        | 1.969 |
| 9A-1245        | 1.281 |
| 9A-1246        | 1.781 |
| 9*-1243        | 1.438 |
| 9*-1244        | 1.938 |
| 9*-1245        | 1.250 |
| 9*-1246        | 1.750 |

\* INSERT - ZN FOR ZINC PLATED  
 G FOR HOT DIP GALVANIZED  
 SS4 FOR 304 STAINLESS  
 SS6 FOR 316 STAINLESS



EATON, B-LINE DIVISION  
 509 WEST MONROE STREET  
 HIGHLAND, ILLINOIS 62249-0326  
 PHONE (618) 654-2184  
 FAX (618) 654-5499

TITLE: 9\*-124(3-6) EXPAN.  
 & HOLDDOWN CLP

PRODUCT DWG. NO'S:

3778

SHEET OF

DRAWN BY:

DWK

DRAWING NO.  
 S00003778

DATE: 9/2/99

EQUIPMENT FURNISHED HAS BEEN FABRICATED  
 IN ACCORDANCE WITH THIS DRAWING.

THIS DRAWING AND/OR THE TECHNICAL INFORMATION CONTAINED HEREON IS THE PROPERTY OF EATON CORPORATION ("EATON"), AND IS ISSUED IN CONFIDENCE FOR EATON ENGINEERING PURPOSES ONLY AND MAY NOT BE REPRODUCED OR USED FOR ANY PURPOSE WHATSOEVER WITHOUT THE EXPRESS WRITTEN PERMISSION OF EATON TO THE USER. THIS DRAWING AND/OR TECHNICAL INFORMATION IS THE PROPERTY OF EATON AND IS LOANED FOR MUTUAL ASSISTANCE, TO BE RETURNED WHEN ITS INTENDED PURPOSE HAS BEEN SERVED.