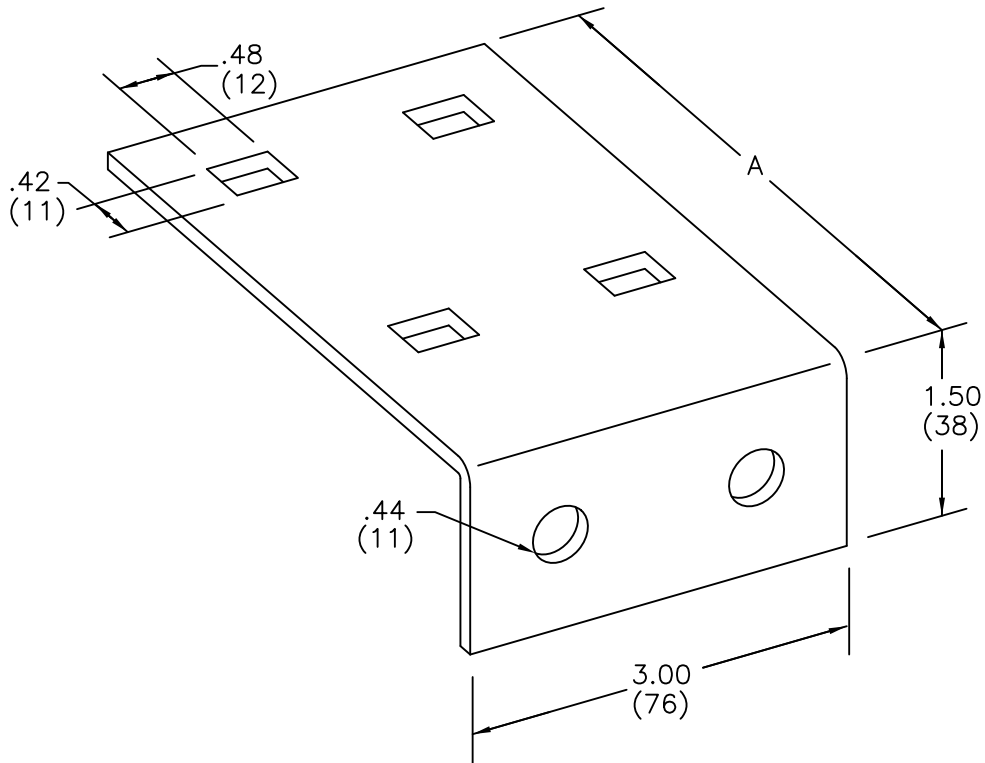


9\*-1237-X  
CABLE CHANNEL  
TO TRAY BRACKET



PART NUMBER	A
9*-1237-3	4.00 (102)
9*-1237-4	5.00 (127)
9*-1237-6	7.00 (178)

\* = ZN - ZINC PLATED  
G - HDGAF  
SS4 - 304 STAINLESS  
SS6 - 316 STAINLESS  
A - ALUMINUM

ALL DIMENSIONS IN PARENTHESIS ARE IN MILLIMETERS



EATON, B-LINE DIVISION  
509 WEST MONROE STREET  
HIGHLAND, ILLINOIS 62249-0326  
PHONE (618) 654-2184  
FAX (618) 654-5499

TITLE: 9\*-1237-X  
CABLE CHANNEL  
TO TRAY BRACKET

PRODUCT DWG. NO'S:

1375

SHEET OF

DRAWN BY: TJC

DRAWING NO. S00001375

DATE: 1/8/96

EQUIPMENT FURNISHED HAS BEEN FABRICATED  
IN ACCORDANCE WITH THIS DRAWING.

THIS DRAWING AND/OR THE TECHNICAL INFORMATION CONTAINED HEREON IS THE PROPERTY OF EATON CORPORATION ("EATON"), AND IS ISSUED IN CONFIDENCE FOR EATON ENGINEERING PURPOSES ONLY AND MAY NOT BE REPRODUCED OR USED FOR ANY PURPOSE WHATSOEVER WITHOUT THE EXPRESS WRITTEN PERMISSION OF EATON TO THE USER. THIS DRAWING AND/OR TECHNICAL INFORMATION IS THE PROPERTY OF EATON AND IS LOANED FOR MUTUAL ASSISTANCE, TO BE RETURNED WHEN ITS INTENDED PURPOSE HAS BEEN SERVED.