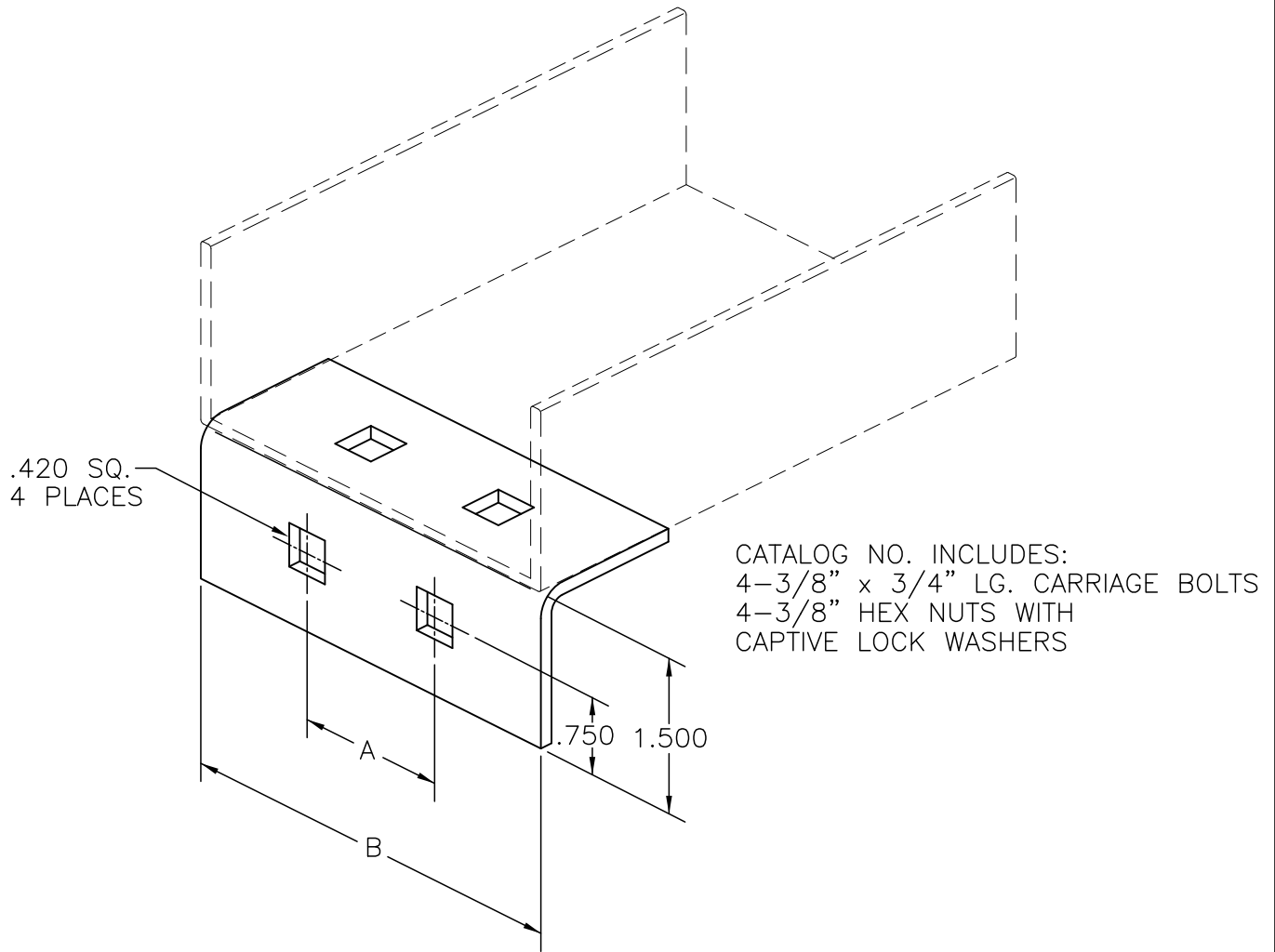


CHANNEL TO BOX CONNECTOR
STEEL & ALUMINUM 3", 4", OR 6"
WIDE CABLE CHANNEL



MATERIAL	CATALOG NO.	CHANNEL WIDTH	A	B
ALUMINUM	9A-1543	3	1.500	3
	9A-1544	4	2.500	4
	9A-1546	6	4.500	6
STEEL	9*-1543	3	1.500	3
	9*-1544	4	2.500	4
	9*-1546	6	4.500	6

- '*' INSERT 'P' FOR PRE-GALVANIZED
- '*' INSERT 'G' FOR GALVANIZED
- '*' INSERT 'SS4' FOR 304 STAINLESS STEEL
- '*' INSERT 'SS6' FOR 316 STAINLESS STEEL



EATON, B-LINE DIVISION
509 WEST MONROE STREET
HIGHLAND, ILLINOIS 62249-0326
PHONE (618) 654-2184
FAX (618) 654-5499

TITLE:
CHANNEL TO BOX CONNECTOR

EQUIPMENT FURNISHED HAS BEEN FABRICATED
IN ACCORDANCE WITH THIS DRAWING.

THIS DRAWING AND/OR THE TECHNICAL INFORMATION CONTAINED HEREON IS THE PROPERTY OF EATON CORPORATION ("EATON"), AND IS ISSUED IN CONFIDENCE FOR EATON ENGINEERING PURPOSES ONLY AND MAY NOT BE REPRODUCED OR USED FOR ANY PURPOSE WHATSOEVER WITHOUT THE EXPRESS WRITTEN PERMISSION OF EATON TO THE USER. THIS DRAWING AND/OR TECHNICAL INFORMATION IS THE PROPERTY OF EATON AND IS LOANED FOR MUTUAL ASSISTANCE, TO BE RETURNED WHEN ITS INTENDED PURPOSE HAS BEEN SERVED.

PRODUCT DWG. NO'S:

1208

SHEET OF

DRAWN BY: BJW

DRAWING NO.
S00001208

DATE: 8/12/97