

# Small and medium enterprise (SME) enclosure



**Note:** Standard enclosure color is Black. Other colors available by special order.

## SME ENCLOSURE CONFIGURATION

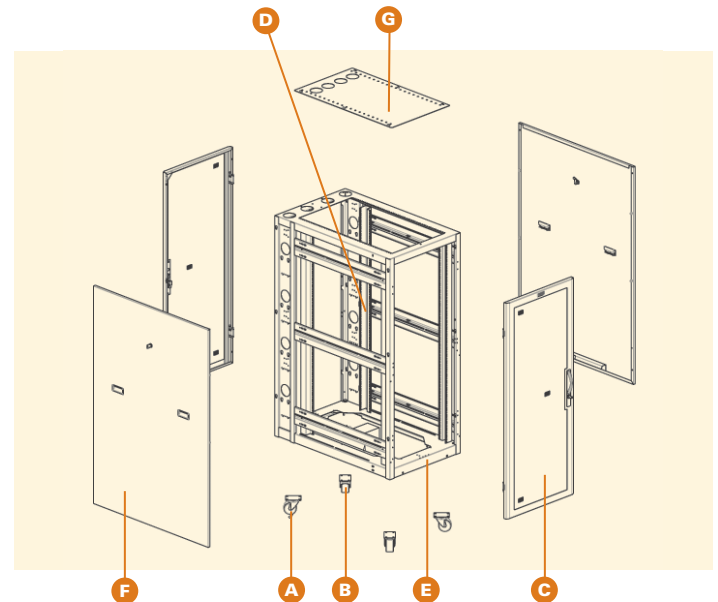
Item	Description	Quantity
A	Caster kit with four swivel casters	1
B	Mounting kit which includes 20 M6 cage nuts and 20 M6 x 20mm PH screws	1
C	Perforated doors with key lock and handle	2
D	Equipment mounting rail set (four rails)	1
E	Frame – 30U/36U x 24"W x 40"D	1
F	Solid side panels	2
G	Top panel with cable cutouts	1

From small businesses to government installations—SME preconfigured enclosures provide the perfect solution for small server, storage and communication racks. Available in 30U and 36U heights, these preconfigured solutions feature:

- Perforated front and rear doors to ensure proper cooling for IT equipment
- Mounting provisions on rear uprights for ePDUs and cable management accessories
- Adjustable rails with cage nuts for equipment mounting
- Key lock for security
- Casters to facilitate ease of transport/installation
- Removable side panels to facilitate cabling and equipment installation
- Cutouts in top panel for cable egress/ingress

### Applications:

- Backup power enclosure
- Server cabinet
- Storage rack
- Communications rack



Powering Business Worldwide

## SME ENCLOSURES

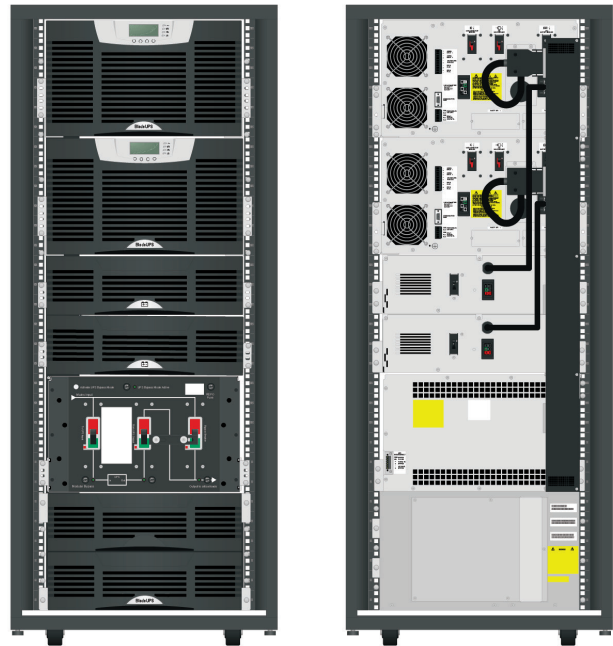
Item Number	Description	Width (including sides)	Depth (including doors)	Height (including casters)	Color
ETN-VS2302440	30U 19" rackmount enclosure	25.3"	41.7"	59"	Black
ETN-VS2362440	36U 19" rackmount enclosure	25.3"	41.7"	69"	Black

## SUGGESTED ENCLOSURE ACCESSORIES

Item Number	Description	Use
ETN-PBP1U10	Kit of 10 IU plastic blanking panels	Cover unused slots in rack
ETN-BX45V110	Kit of 50 velcro straps – 11" long	Cable management
ETN-BX45V8	Kit of 50 velcro straps – 8" long	Cable management
ETN-STLDRING	Kit of 4 steel D-rings	Cable management
ETN-CMPD19031U	1U 19" rackmount cable ring manager	Cable management
ETN-CMRB19022U	2U strain relief bar for 19" rail mount	Cable management
ETN-CHASBKT2032	Adjustable chassis brackets (20"-32" mounting)	Equipment support
ETN-RS19281U10	Standard duty roll-out shelf, 19" EIA, 28"D, 100 lbs. max load	Equipment support

## SUGGESTED POWER PRODUCTS FOR A TYPICAL 24KW POWER BACKUP CONFIGURATION

Item Number	Description	Quantity
ZC121P060100000	BladeUPS 12kW, 208V with parallel cord	2
103005747-6591	BladeUPS 3U Battery Module, 9.5 min	2
103007415-5208	BladeUPS Bypass Module, 208V	1
103007830-5591	BladeUPS 48kW Bus Bar; bottom entry	1
103007569-5591	BladeUPS Universal Wirewal	1
103007974-5591	Power Xpert Gateway UPS card	1
116750224-001	Environmental monitoring probe	1



## EPDU OPTIONS FOR 30U & 36U ENCLOSURES

Item Number	Input/Output Voltage (V)	Amps	Functionality	Input	Input Cord Length	Output	Dimensions (H x W x D in.)	Rackmount Orientation
ePBZ75	120	15	Basic	5-15P	15'	(14) 5-15R	24 x 1.5 x 1.5	0U
ePBZ73	120	15	Basic	5-15P	15'	(18) 5-15R	48 x 1.5 x 1.5	0U
ePBZ74	120	20	Basic	5-20P, L5-20P*	15'	(14) 5-20R	24 x 1.5 x 1.5	0U
ePBZ72	120	20	Basic	5-20P, L5-20P	15'	(18) 5-15R	48 x 1.5 x 1.5	0U
EMI103-10	208	20	Metered	C20 (L6-20 adapter)	10'	(18) C13, (2) C19	35.5 x 2.05 x 2.1	0U
ePBZ90	120	30	Basic	L5-30P	15'	(24) 5-20R	40 x 1.9 x 2.1	0U
PULSTS1400R-IU	120	15	ATS	(2) 5-15	6'	(6) NEMA 5-15R	1.75 x 19 x 9.8	1U
ePBZ82	120	20	Basic	L5-20P	15'	(12) 5-20R	1.7 x 17.3 x 2.3	1U
ePBZ83	120	15	Basic	5-15P	15'	(12) 5-15R	1.7 x 17.3 x 2.3	1U

\*Note: 20-amp PDUs come with a standard locking adapter to convert L5-20P to 5-20P.

**Eaton**  
1000 Eaton Boulevard  
Cleveland, OH 44122 USA  
Eaton.com

© 2014 Eaton  
All Rights Reserved  
Printed in USA  
BR159007EN  
August 2014

**EATON**  
Powering Business Worldwide

To contact an Eaton salesperson or local distributor, please visit

**Eaton.com/powerquality**  
or call 800-225-7348

Eaton is a registered trademark of Eaton.

All other trademarks are property of their respective owners.