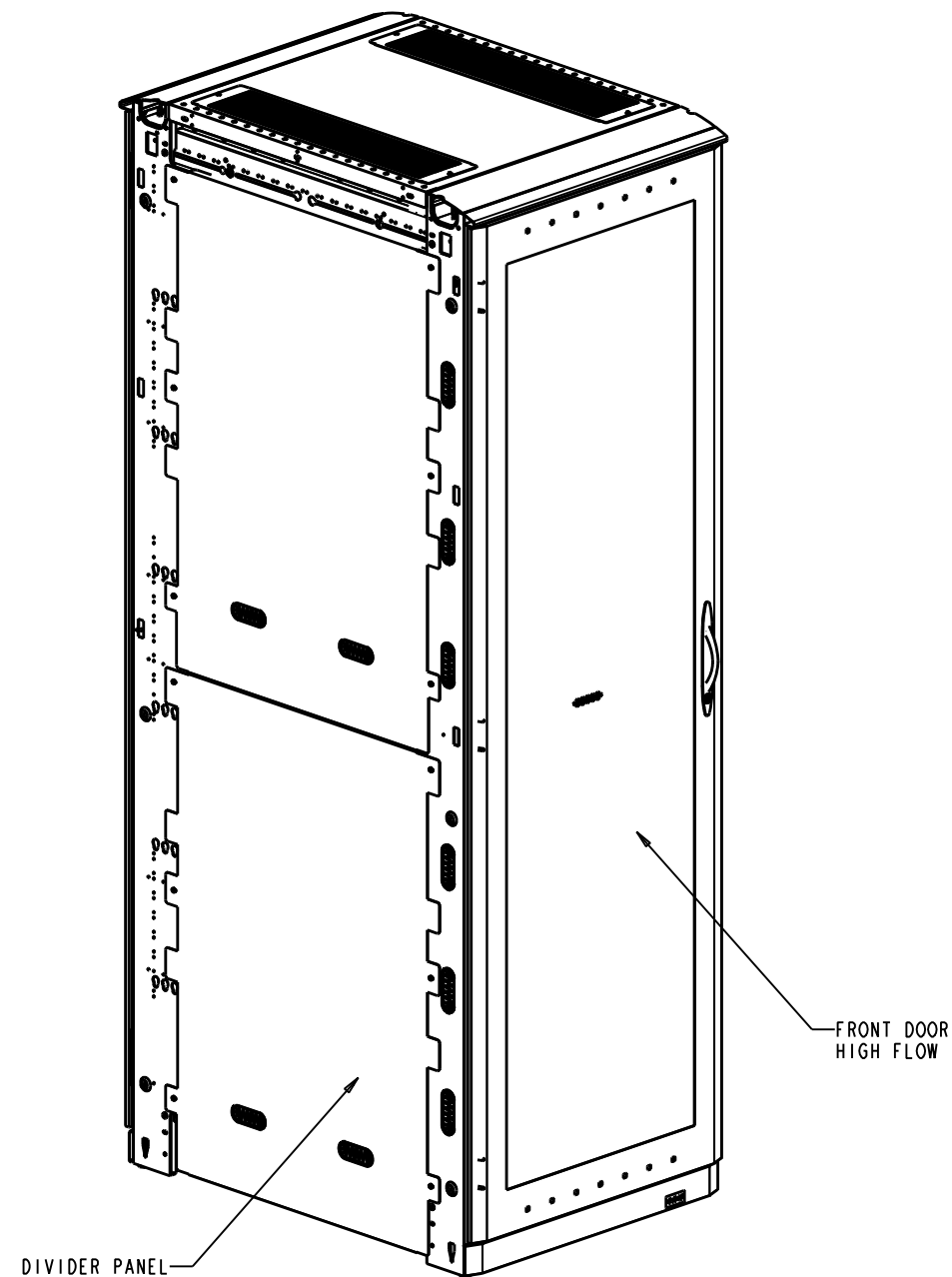
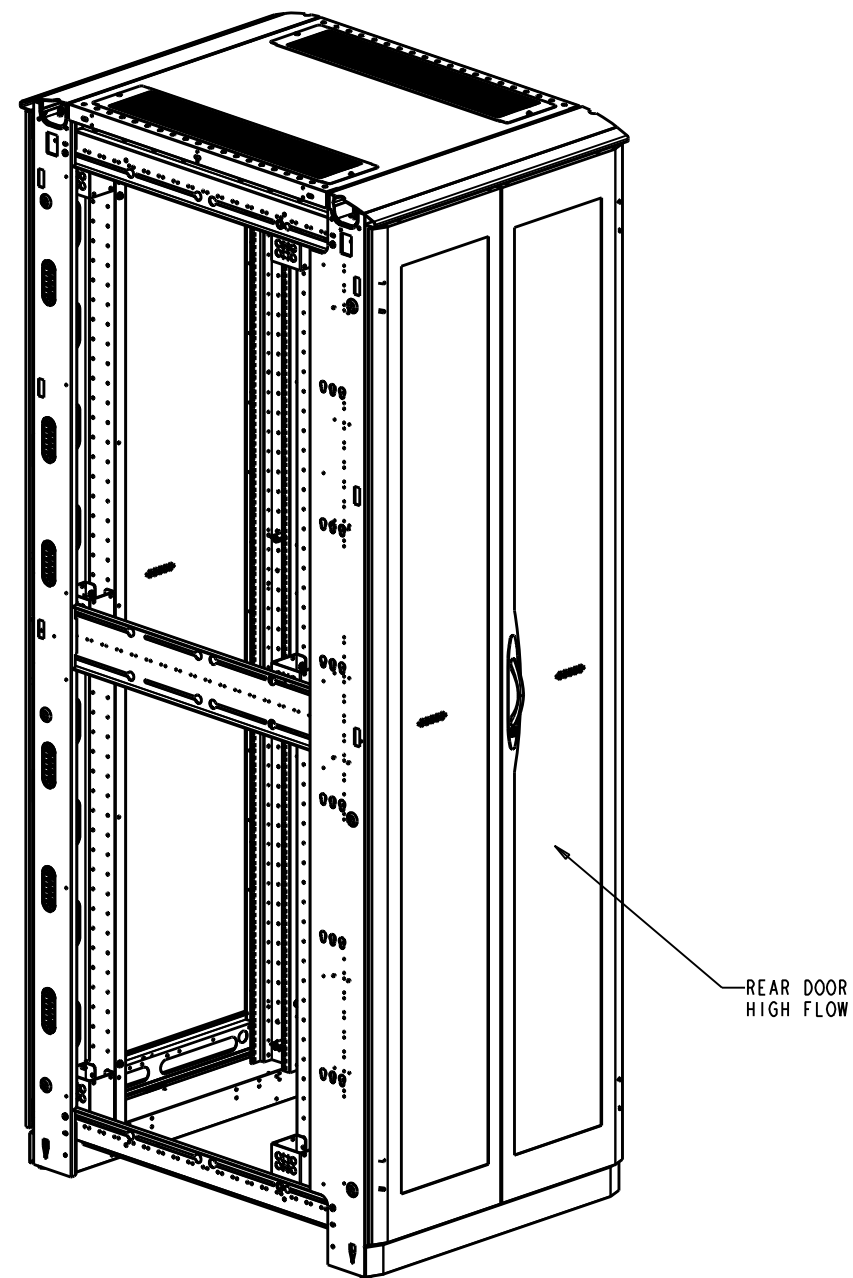


RELEASE STATUS
Production



FRONT ISO

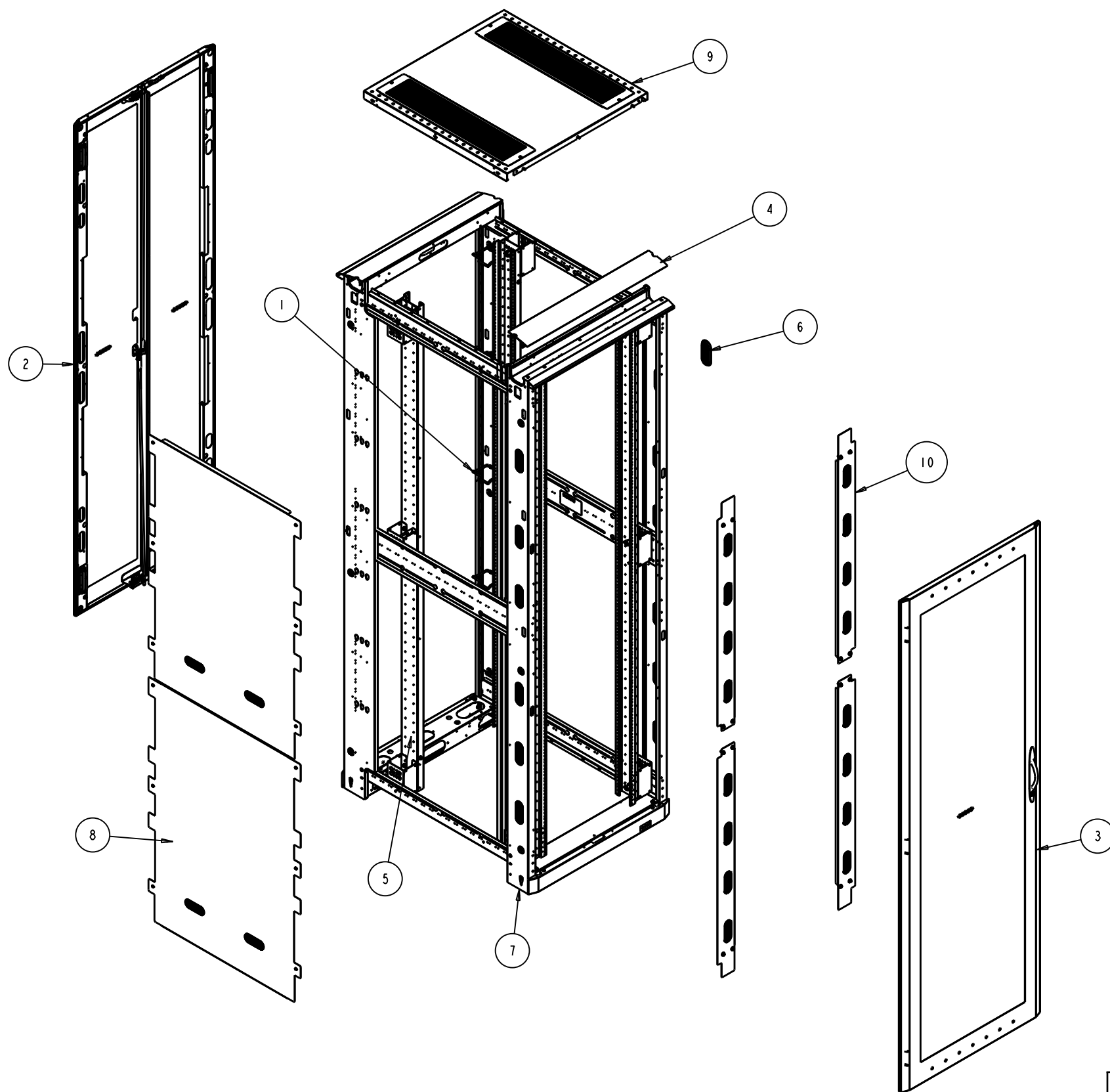


REAR ISO

SHIPPING WEIGHT: 500 LBS

REV	REV. DATE	REV'D BY	PRODUCTION RELEASE	ECN OR EPR NUMBER
-	-	-	PRODUCTION RELEASE	EPR113222
-	-	-	CURRENT REVISION DESCRIPTION	-

<small>THIS DRAWING CONTAINS PROPRIETARY INFORMATION AND IS LOANED SUBJECT TO RETURN UPON DEMAND AND UPON THE EXPRESS CONDITION THAT IT WILL NOT BE USED IN ANY WAY DETRIMENTAL TO THE INTEREST OF EATON CORPORATION</small>	CAGE NUMBER:	CUSTOMER: EATON DIR FLD SALES	
	81824	DES. BY DNeison 09/13/11	
	DESIGN MGMT SITE:	DRWN. BY DNeison 09/13/11	CONFIG - 51U X 30W X 42D PARAMOUNT, RACK HYGIENE, 2 EPDU
	Worcester	PROD. GRP 50 - Paramount	
<small>DRAWN IN THIRD ANGLE PROJECTION</small> 	MATERIAL:	COLOR: -	SHEET: 1 OF 8
<small>TOLERANCE UNLESS SPEC'D .XX ± .02 .XXX ± .005 < ± .1</small>	MATERIAL FINISH:	CRS GA: N/A	REV DATE: -
<small>ALL DIMENSIONS IN INCHES</small>	SPEC #:	OTHER: -	D PMT513042H REV -



ASSEMBLY WIRING NOTE:

- GROUND ALL DOORS, RAILS, TOP AND DIVIDER PANELS.
USE GROUNDING LANYARDS FROM KIT P/N GRNDPMT.
USE STANDARD W/L GROUND POINTS FOR ATTACHMENT AREAS.

ITEM	TYPE	DOCUMENT #	REV	DESCRIPTION	QTY
11	SA	GRNDPMT	-	GROUND KIT - PARAMOUNT	1
10	MA	PMTVDP5130	-	VERTICAL BLANKING PANELS	1
9	MA	PMTNWTP3042	-	ASSEMBLY - TOP PANEL, 30W X 40D	1
8	MA	PMTJVD5142S	-	DIVIDER PANEL ASY - 51U X 40D	1
7	MA	PMTFRM513040	-	WLD - FRAME, 51U X 30W X 40D	1
6	MA	JWOVLGROM	A	GROMMET - OVAL 1.5WX4L	12
5	MA	JRR51CMSO	A	RM REDUCER RAILS - 51U,	1
4	MA	JFTK30_	B	FRAME TRIM KIT - 30"W	1
3	MA	JDHF9630L	-	DOOR, HIGH FLOW	1
2	MA	JDDHF9630	-	ASSEMBLY - SPLIT DOOR, HIGH FLOW	1
1	MA	CMDRNR032U_	-	D-RING KIT, 2U	1

THIS DRAWING CONTAINS PROPRIETARY INFORMATION AND IS LOANED SUBJECT TO RETURN UPON DEMAND AND UPON THE EXPRESS CONDITION THAT IT WILL NOT BE USED IN ANY WAY DETRIMENTAL TO THE INTEREST OF EATON CORPORATION

DRAWN IN THIRD ANGLE PROJECTION

TOLERANCE UNLESS SPEC'D
 .XX ± .02
 .XXX ± .005
 < ± 1"
 ALL DIMENSIONS IN INCHES

CAGE NUMBER: 81824
 CUSTOMER: EATON DIR FLD SALES
 DES. BY: DNeison 09/13/11
 DRWN. BY: DNeison 09/13/11
 DESIGN MGMT SITE: Worcester
 PROD. GRP: 50 - Paramount
 COLOR: -
 CRS GA: N/A
 OTHER: -
 MATERIAL: -
 MATERIAL FINISH: -
 SPEC #: -

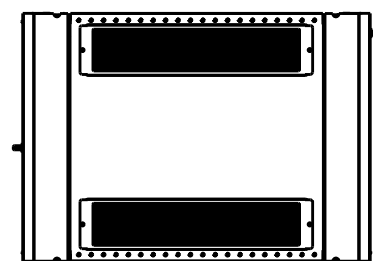
EATON

CONFIG - 51U X 30W X 42D
PARAMOUNT, RACK HYGIENE, 2 EPDU

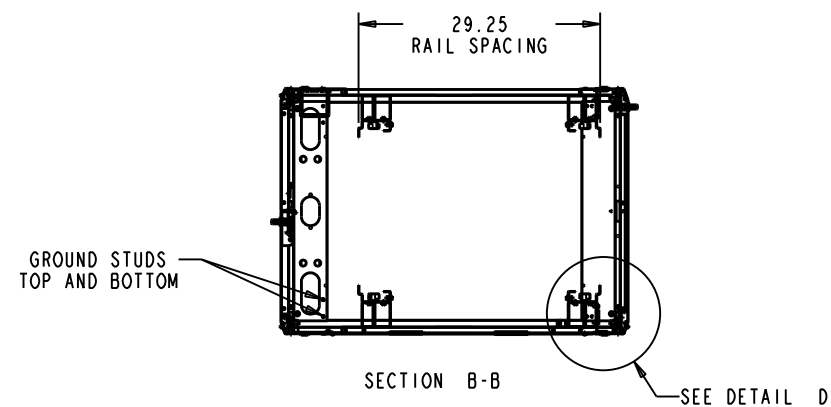
SHEET: 2 OF 8
REV DATE: -
D PMT513042H REV -

REV	REV. DATE	REV'D BY	PRODUCTION RELEASE	ECN OR EPR NUMBER
-	-	-	PRODUCTION RELEASE	EPRI13222
-	-	-	CURRENT REVISION DESCRIPTION	-

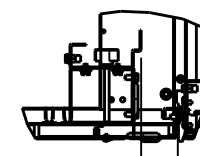
RELEASE STATUS
Production



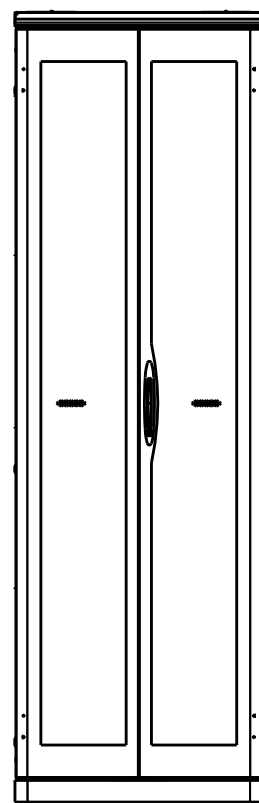
TOP



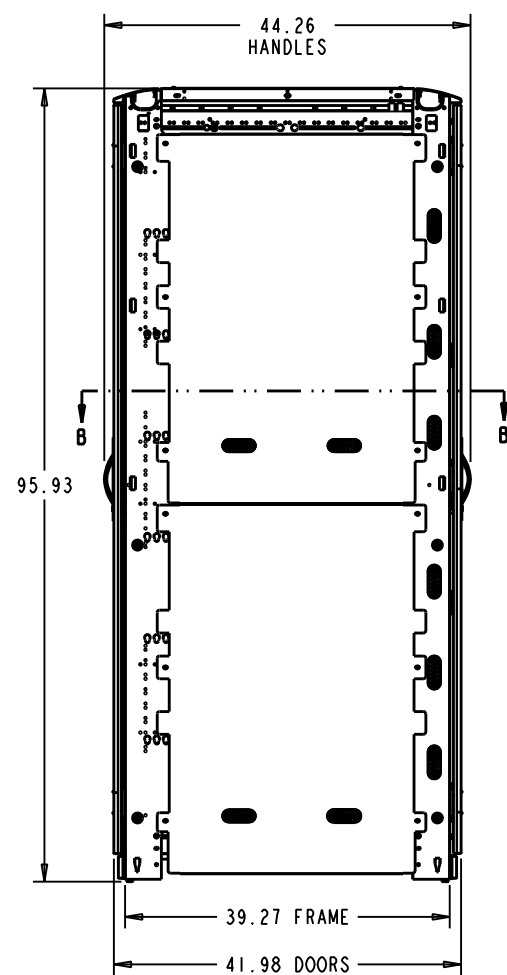
DETAIL D
SCALE 0.200



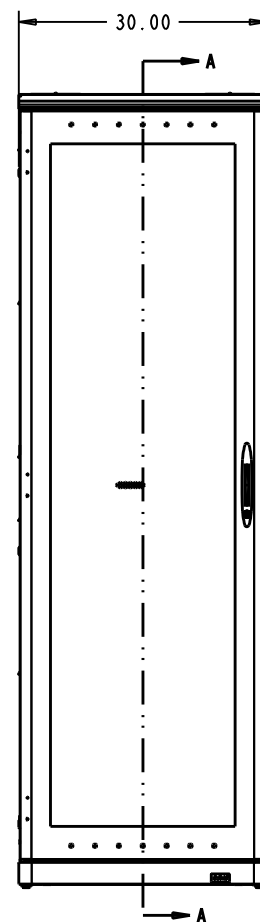
2.00 FROM FRONT
OF RAIL TO FRONT
OF CORNER POST



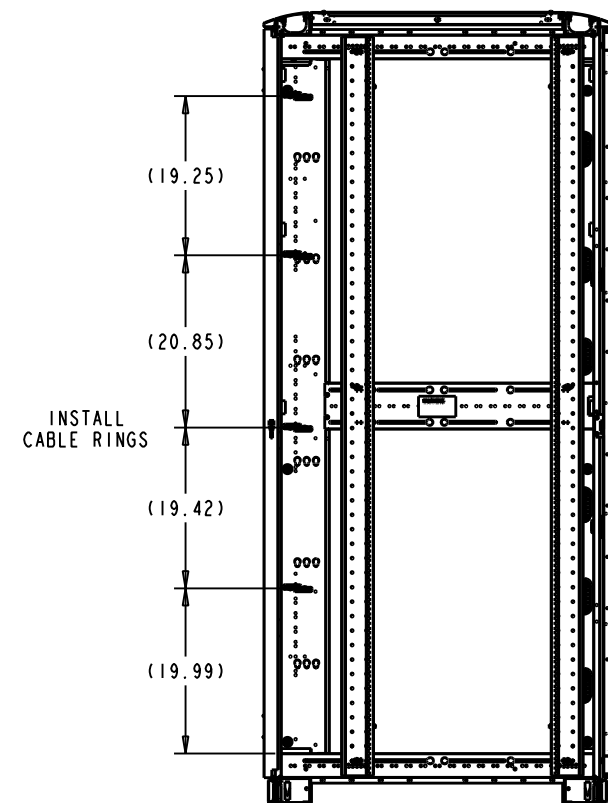
REAR



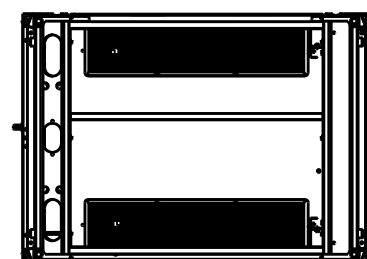
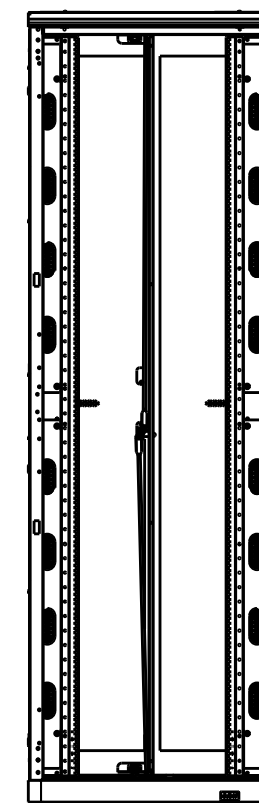
LEFT SIDE



FRONT



SECTION A-A



BOTTOM

LEVELING FEET

THIS DRAWING CONTAINS PROPRIETARY INFORMATION AND IS LOANED SUBJECT TO RETURN UPON DEMAND AND UPON THE EXPRESS CONDITION THAT IT WILL NOT BE USED IN ANY WAY DETRIMENTAL TO THE INTEREST OF EATON CORPORATION DRAWN IN THIRD ANGLE PROJECTION 	CAGE NUMBER:	CUSTOMER: EATON DIR FLD SALES	
	81824	DES. BY D Nelson 09/13/11	
	DESIGN MGMT SITE:	DRWN. BY D Nelson 09/13/11	
	Worcester	PROD. GRP 50 - Paramount	
MATERIAL:	COLOR: -	CRS GA: N/A	CONFIG - 5IU X 30W X 42D PARAMOUNT, RACK HYGIENE, 2 EPDU
MATERIAL FINISH:	OTHER: -		SHEET: 3 OF 8
SPEC #:			REV DATE: -
			D PMT513042H REV -

-	-	-	PRODUCTION RELEASE	EPR113222
REV	REV. DATE	REV'D BY	CURRENT REVISION DESCRIPTION	ECN OR EPR NUMBER