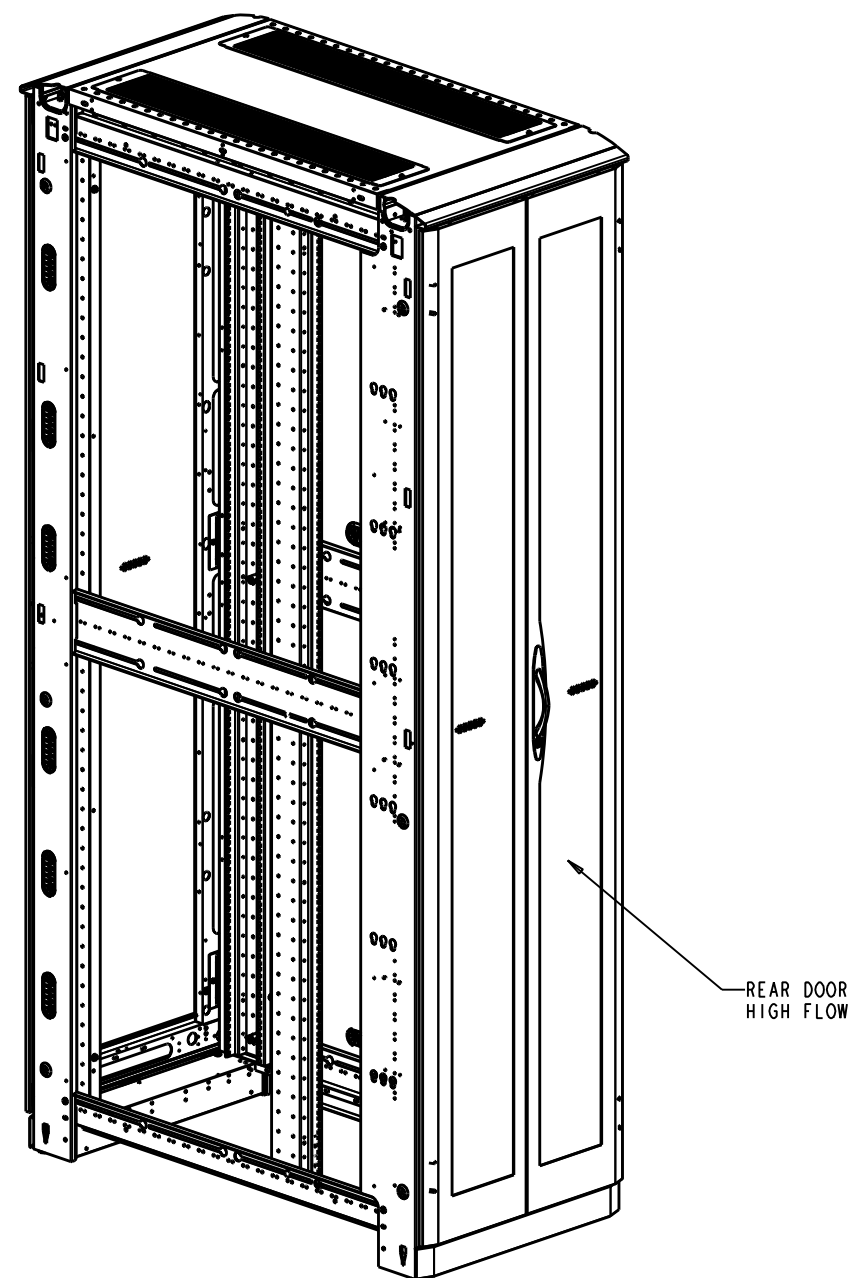


FRONT ISO



REAR ISO

SHIPPING WEIGHT: 425 LBS

REV	REV. DATE	REV'D BY	PRODUCTION RELEASE	ECN OR EPR NUMBER
-	-	-	PRODUCTION RELEASE	EPR113222
-	-	-	CURRENT REVISION DESCRIPTION	-

THIS DRAWING CONTAINS PROPRIETARY INFORMATION AND IS LOANED SUBJECT TO RETURN UPON DEMAND AND UPON THE EXPRESS CONDITION THAT IT WILL NOT BE USED IN ANY WAY DETRIMENTAL TO THE INTEREST OF EATON CORPORATION

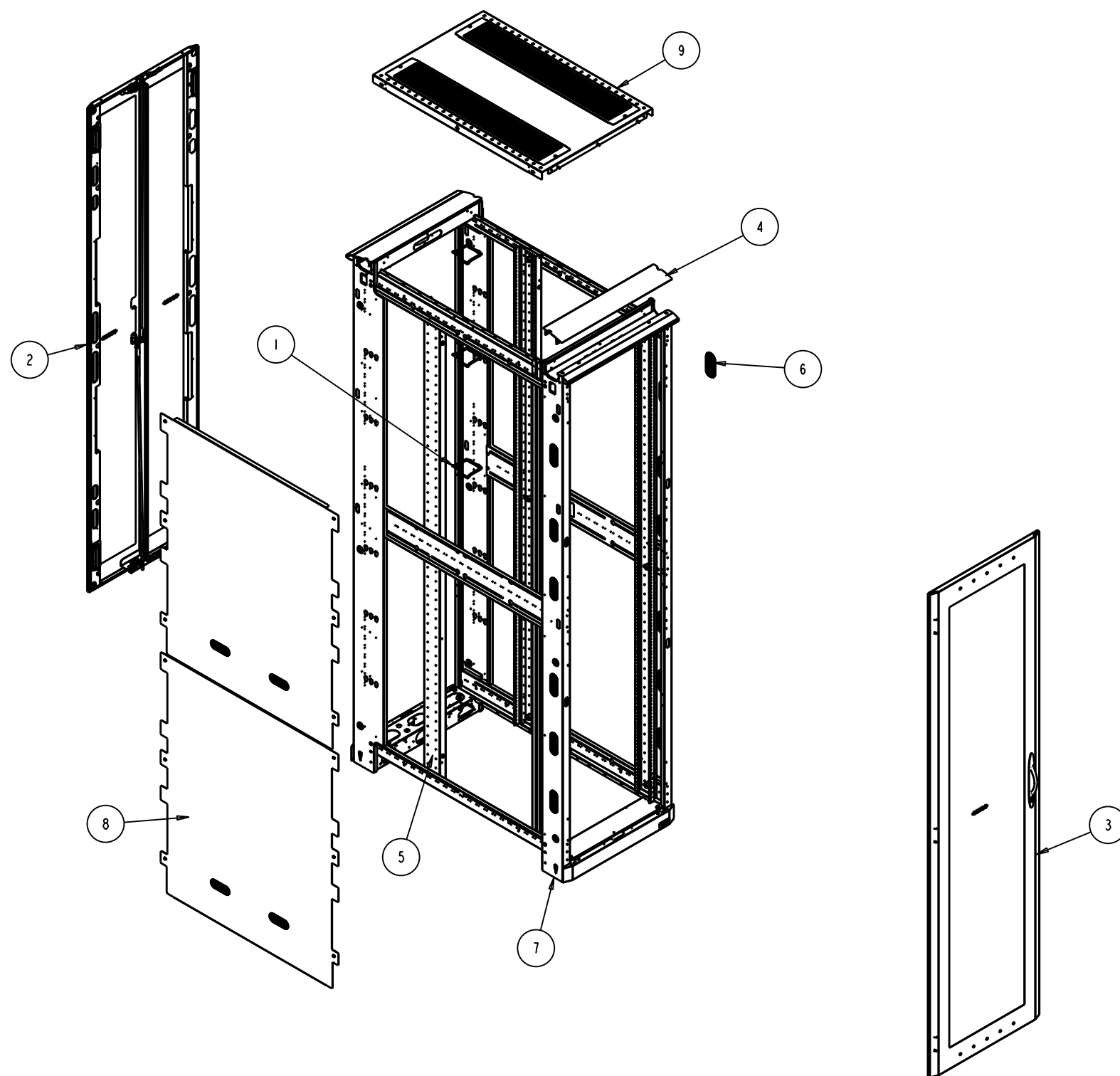
DRAWN IN THIRD ANGLE PROJECTION

TOLERANCE UNLESS SPEC'D
 .XX ± .02
 .XXX ± .005
 < ± .1
 ALL DIMENSIONS IN INCHES

CAGE NUMBER: 81824	CUSTOMER: EATON DIR FLD SALES
DESIGN MGMT SITE: Worcester	DES. BY DNeison 09/13/11
MATERIAL:	DRWN. BY DNeison 09/13/11
MATERIAL FINISH:	PROD. GRP 50 - Paramount
SPEC #:	COLOR: -
	CRS GA: N/A
	OTHER: -

EATON	
CONFIG - 5IU X 24W X 48D PARAMOUNT, RACK HYGIENE, 2 EPDU	
SHEET: 1 OF 8	REV DATE: -
D PMT512448H	REV -

RELEASE STATUS
Production



ASSEMBLY WIRING NOTE:

- GROUND ALL DOORS, RAILS, TOP AND DIVIDER PANELS.
USE GROUNDING LANYARDS FROM KIT P/N GRNDPMT.
USE STANDARD W/L GROUND POINTS FOR ATTACHMENT AREAS.

ITEM	TYPE	DOCUMENT #	REV	DESCRIPTION	QTY
10	SA	GRNDPMT	-	GROUND KIT - PARAMOUNT	1
9	MA	PMTNWP2448	-	ASSEMBLY - TOP PANEL, 24W X 45D	1
8	MA	PMTJVD5148S	-	DIVIDER PANEL ASY - 51U X 45D	1
7	MA	PMTFRM512445	-	WLD - FRAME, 51U X 24W X 45D	1
6	MA	JWOVLGROM	A	GROMMET - OVAL 1.5WX4L	12
5	MA	JRM10006	B	RACK MOUNT RAILS - 51U	1
4	MA	JFTK24_4596	B	FRAME TRIM KIT - 24"W	1
3	MA	JDDHF9624L	-	DOOR, HIGH FLOW	1
2	MA	JDDHF9624	-	ASSEMBLY - SPLIT DOOR, HIGH FLOW	1
1	MA	CMDRNR032U_	-	D-RING KIT, 2U	1

THIS DRAWING CONTAINS PROPRIETARY INFORMATION AND IS LOANED SUBJECT TO RETURN UPON DEMAND AND UPON THE EXPRESS CONDITION THAT IT WILL NOT BE USED IN ANY WAY DETRIMENTAL TO THE INTEREST OF EATON CORPORATION

DRAWN IN THIRD ANGLE PROJECTION

TOLERANCE UNLESS SPEC'D
 .XX ± .02
 .XXX ± .005
 < ± .1"

ALL DIMENSIONS IN INCHES

CAGE NUMBER: 81824

CUSTOMER: EATON DIR FLD SALES

DES. BY: DNeison 09/13/11

DRWN. BY: DNeison 09/13/11

DESIGN MGMT SITE: Worcester

PROD. GRP: 50 - Paramount

COLOR: -

MATERIAL: CRS GA: N/A

MATERIAL FINISH: OTHER: -

SPEC #: -



CONFIG - 51U X 24W X 48D
PARAMOUNT, RACK HYGIENE, 2 EPDU

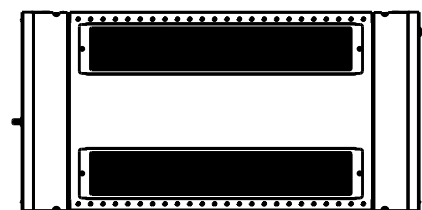
SHEET: 2 OF 8

REV DATE: -

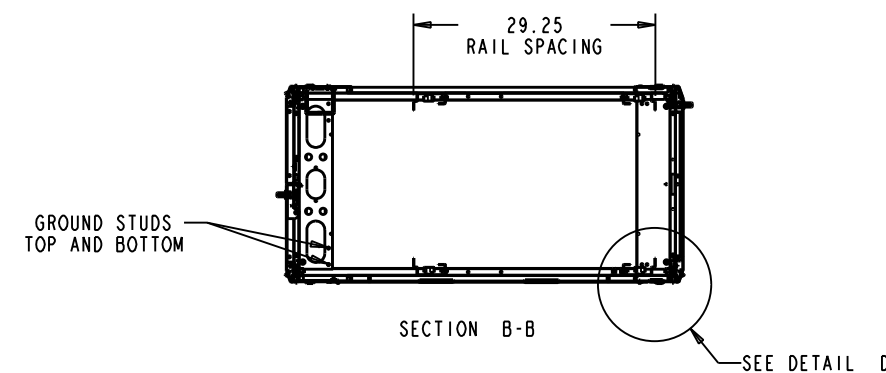
D PMT512448H REV -

REV	REV. DATE	REV'D BY	PRODUCTION RELEASE	ECN OR EPR NUMBER
-	-	-	PRODUCTION RELEASE	EPRI13222
-	-	-	CURRENT REVISION DESCRIPTION	-

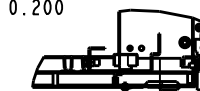
RELEASE STATUS
Production



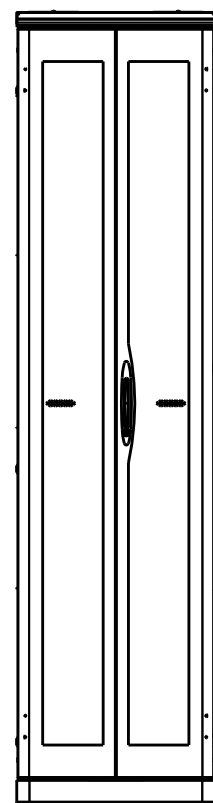
TOP



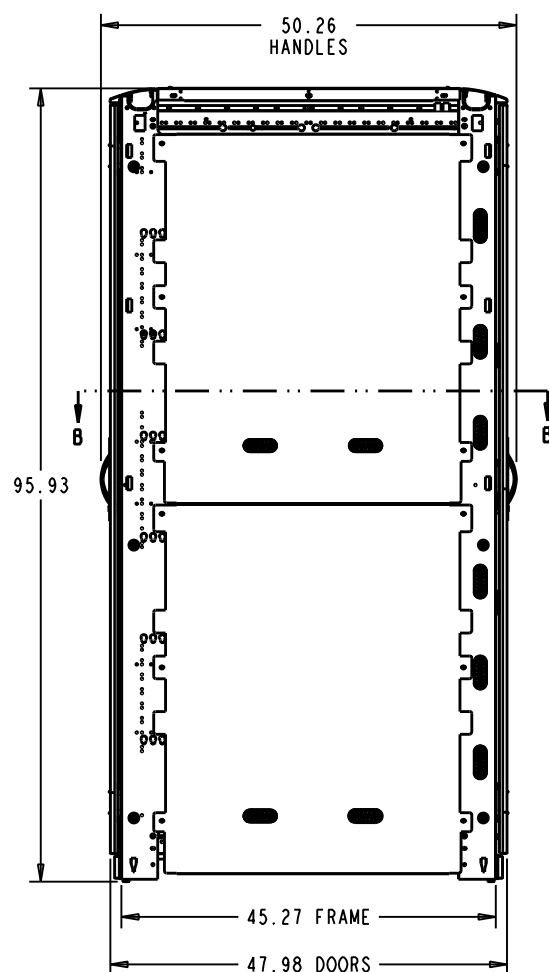
DETAIL D
SCALE 0.200



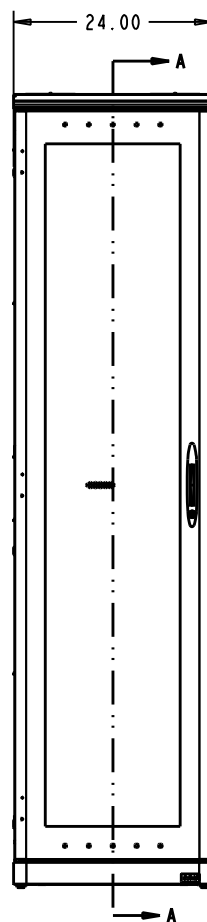
2.00 FROM FRONT
OF RAIL TO FRONT
OF CORNER POST



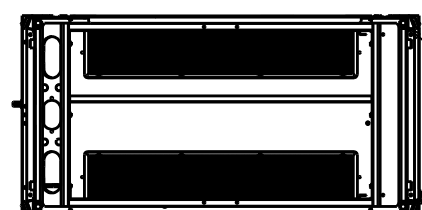
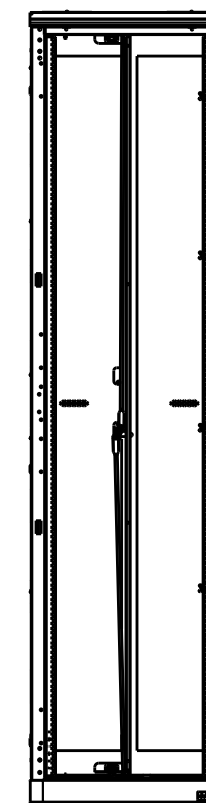
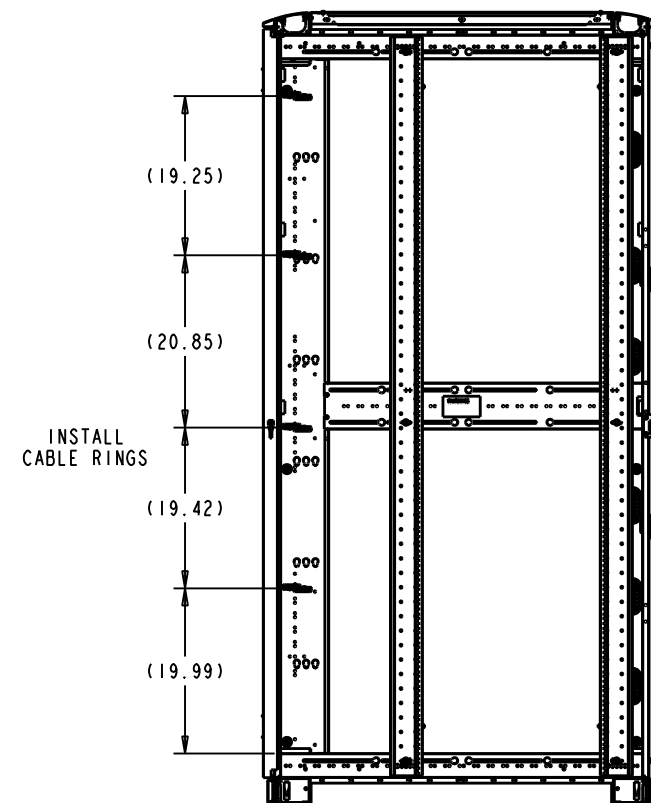
REAR



LEFT SIDE



FRONT



BOTTOM

LEVELING FEET

THIS DRAWING CONTAINS PROPRIETARY INFORMATION AND IS LOANED SUBJECT TO RETURN UPON DEMAND AND UPON THE EXPRESS CONDITION THAT IT WILL NOT BE USED IN ANY WAY DETRIMENTAL TO THE INTEREST OF EATON CORPORATION	CAGE NUMBER:	CUSTOMER: EATON DIR FLD SALES	
	81824	DES. BY D Nelson 09/13/11	
	DESIGN MGMT SITE:	DRWN. BY D Nelson 09/13/11	
	Worcester	PROD. GRP 50 - Paramount	
DRAWN IN THIRD ANGLE PROJECTION 	TOLERANCE UNLESS SPEC'D .XX ± .02 .XXX ± .005 < ± 1" ALL DIMENSIONS IN INCHES	COLOR: -	CONFIG - 5IU X 24W X 48D PARAMOUNT, RACK HYGIENE, 2 EPDU
	MATERIAL:	CRS GA: N/A	
	MATERIAL FINISH:	OTHER: -	SHEET: 3 OF 8
	SPEC #:		REV DATE: -
			D PMT512448H REV -

-	-	-	PRODUCTION RELEASE	EPR113222
REV	REV. DATE	REV'D BY	CURRENT REVISION DESCRIPTION	ECN OR EPR NUMBER