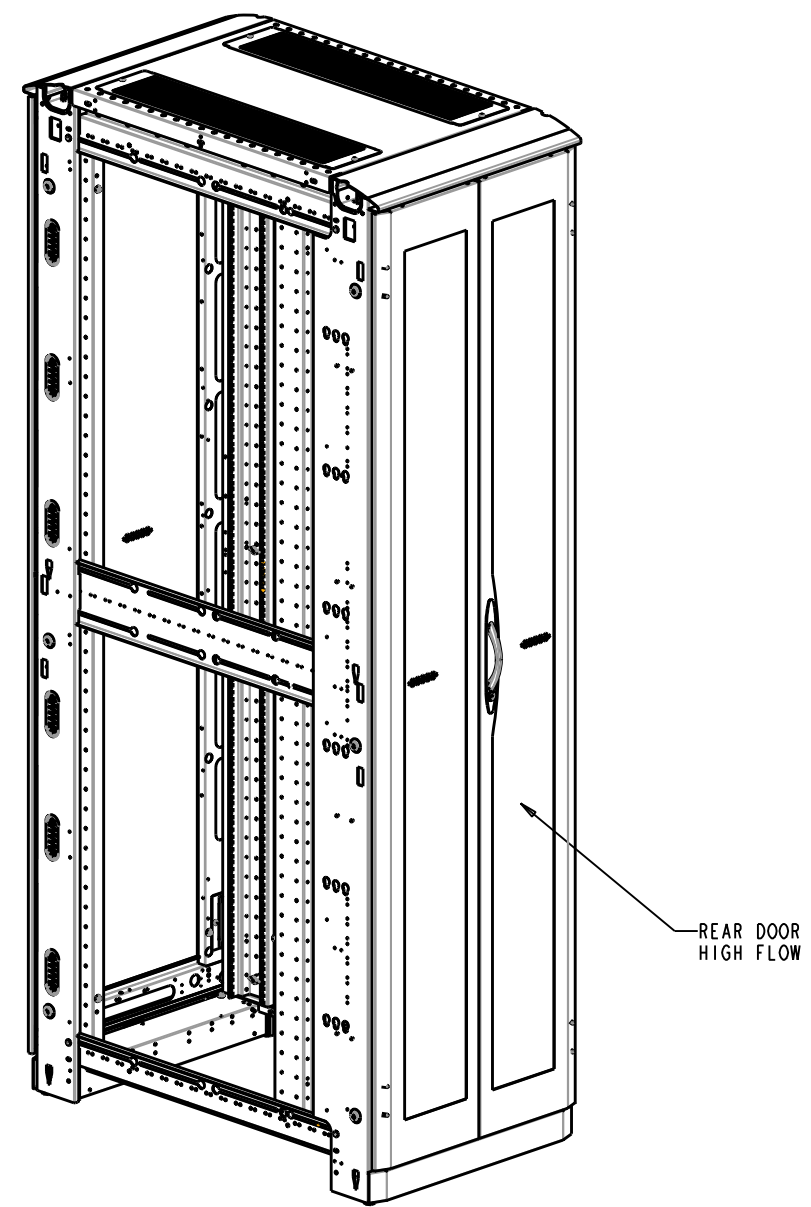


FRONT ISO



REAR ISO

SHIPPING WEIGHT: 314 LBS

REV	REV. DATE	REV'D BY	CURRENT REVISION DESCRIPTION	ECN OR EPR NUMBER
-	04/16/12	MTroio	PRODUCTION RELEASE	EPRI13430

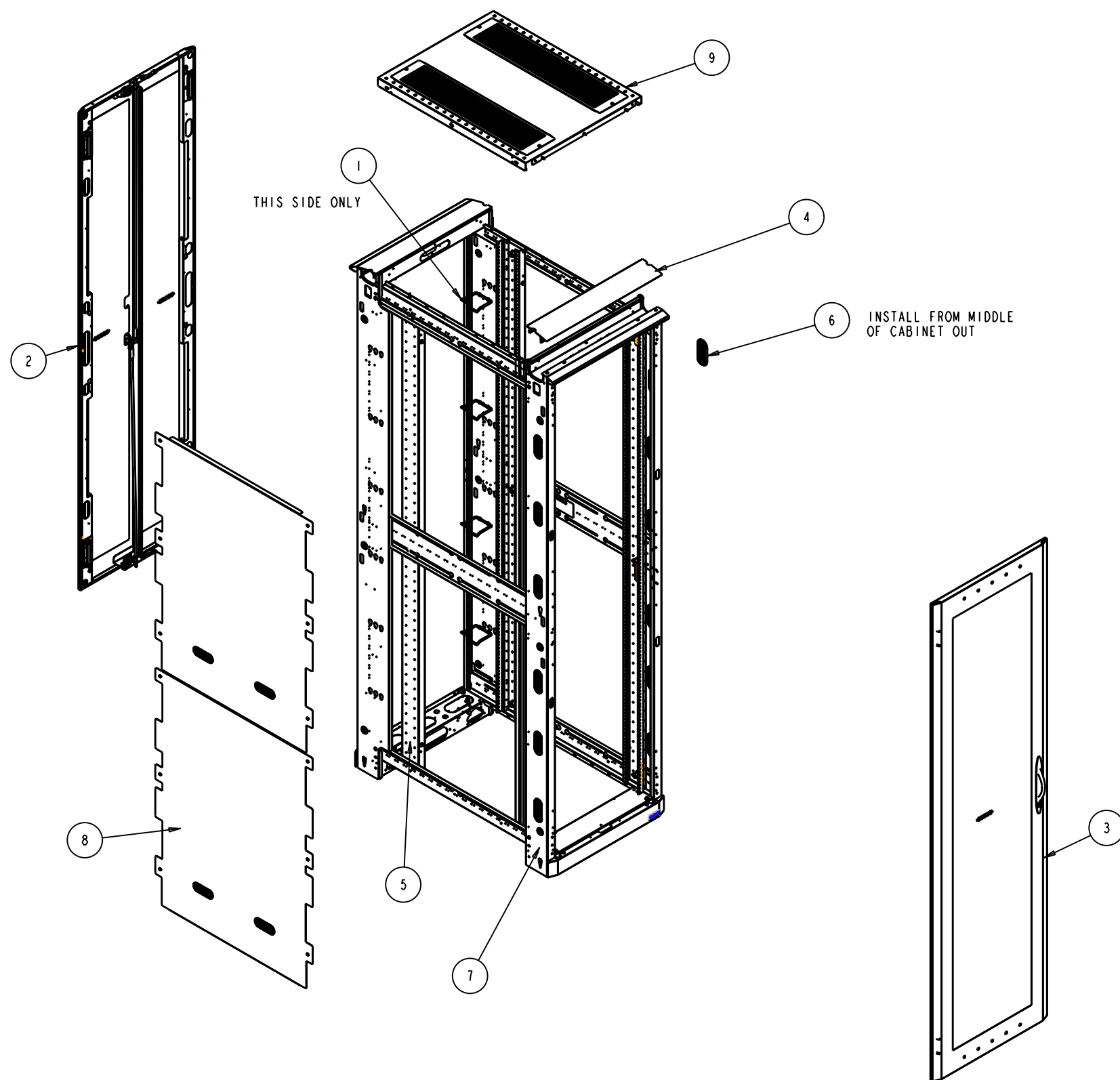
THIS DRAWING CONTAINS PROPRIETARY INFORMATION AND IS LOANED SUBJECT TO RETURN UPON DEMAND AND UPON THE EXPRESS CONDITION THAT IT WILL NOT BE USED IN ANY WAY DETRIMENTAL TO THE INTEREST OF EATON CORPORATION

DRAWN IN THIRD ANGLE PROJECTION

TOLERANCE UNLESS SPEC'D  
 .XX ± .02  
 .XXX ± .005  
 < ± .1  
 ALL DIMENSIONS IN INCHES

CAGE NUMBER: 81824	CUSTOMER: EATON CHANNEL
DESIGN MGMT SITE: Worcester	DES. BY: MTroio 04/16/12
MATERIAL:	DRWN. BY: MTroio 04/16/12
MATERIAL FINISH:	PROD. GRP: 50 - Paramount
SPEC #:	COLOR: -
	CRS GA: N/A
	OTHER: -

<b>EATON</b>	
CONFIG - 48U X 24W X 42D PARAMOUNT, RACK HYGIENE	
SHEET: 1 OF 8	REV DATE: 04/16/12
D PMT482442H	REV -



ASSEMBLY WIRING NOTE:

- GROUND ALL DOORS, RAILS, TOP AND DIVIDER PANELS. USE GROUNDING LANYARDS FROM KIT P/N GRNDPMT. USE STANDARD W/L GROUND POINTS FOR ATTACHMENT AREAS.

ITEM	TYPE	DOCUMENT #	REV	DESCRIPTION	QTY
10	SA	GRNDPMT	-	GROUND KIT - PARAMOUNT	1
9	MA	PMTNWP2442	-	ASSEMBLY - TOP PANEL, 24W X 42D	1
8	MA	PMTJVD4842S	-	DIVIDER PANEL ASY - 48U X 42D	1
7	MA	PMTFRM482440	-	WLD-FRAME, 91H X 24W X 40D	1
6	MA	JWOVLGROM	A	GROMMET - OVAL 1.5WX4L	12
5	MA	JRM4800	-	RACK MOUNT RAILS - 48U	1
4	MA	JFTK24_4091	1	FRAME TRIM KIT - 24"W	1
3	MA	JDHF9124L	-	DOOR, HIGH FLOW	1
2	MA	JDDFH9124	-	ASSEMBLY - SPLIT DOOR, HIGH FLOW	1
1	MA	CMDRNRO32U_	-	D-RING KIT, 2U	1

THIS DRAWING CONTAINS PROPRIETARY INFORMATION AND IS LOANED SUBJECT TO RETURN UPON DEMAND AND UPON THE EXPRESS CONDITION THAT IT WILL NOT BE USED IN ANY WAY DETRIMENTAL TO THE INTEREST OF EATON CORPORATION

DRAWN IN THIRD ANGLE PROJECTION

TOLERANCE UNLESS SPEC'D  
 .XX ± .02  
 .XXX ± .005  
 < ± .1"

ALL DIMENSIONS IN INCHES

CAGE NUMBER: 81824  
 CUSTOMER: EATON CHANNEL  
 DES. BY: MTroio 04/16/12  
 DRWN. BY: MTroio 04/16/12  
 DESIGN MGMT SITE: Worcester  
 PROD. GRP: 50 - Paramount  
 COLOR: -  
 CRS GA: N/A  
 OTHER: -  
 MATERIAL: -  
 MATERIAL FINISH: -  
 SPEC #: -



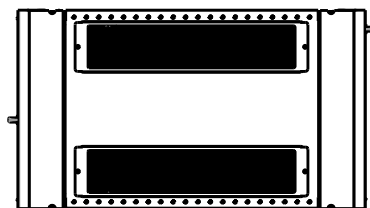
CONFIG - 48U X 24W X 42D  
PARAMOUNT, RACK HYGIENE

SHEET: 2 OF 8 REV DATE: 04/16/12

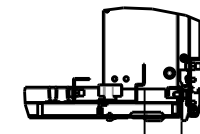
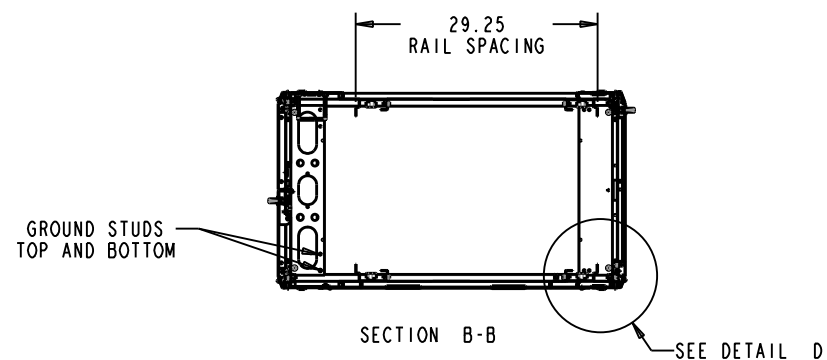
REV	REV. DATE	REV'D BY	CURRENT REVISION DESCRIPTION	ECN OR EPR NUMBER
-	04/16/12	MTroio	PRODUCTION RELEASE	EPRI13430

D PMT482442H REV -

RELEASE STATUS  
Production



TOP

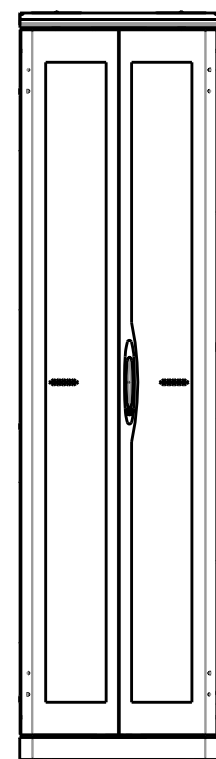


DETAIL D  
SCALE 0.200

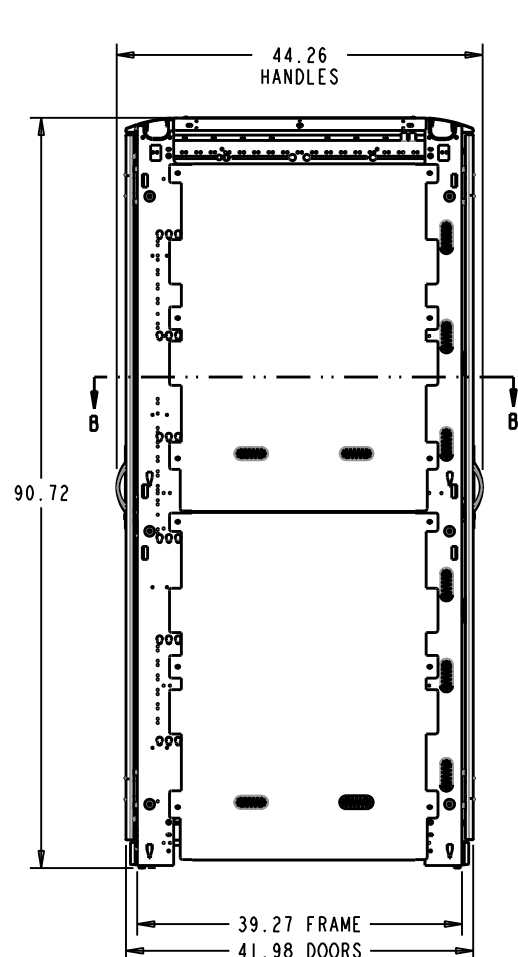
2.00 FROM FRONT OF RAIL TO FRONT OF CORNER POST

SECTION B-B

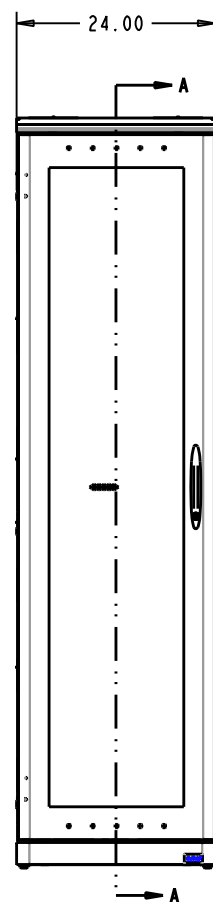
SEE DETAIL D



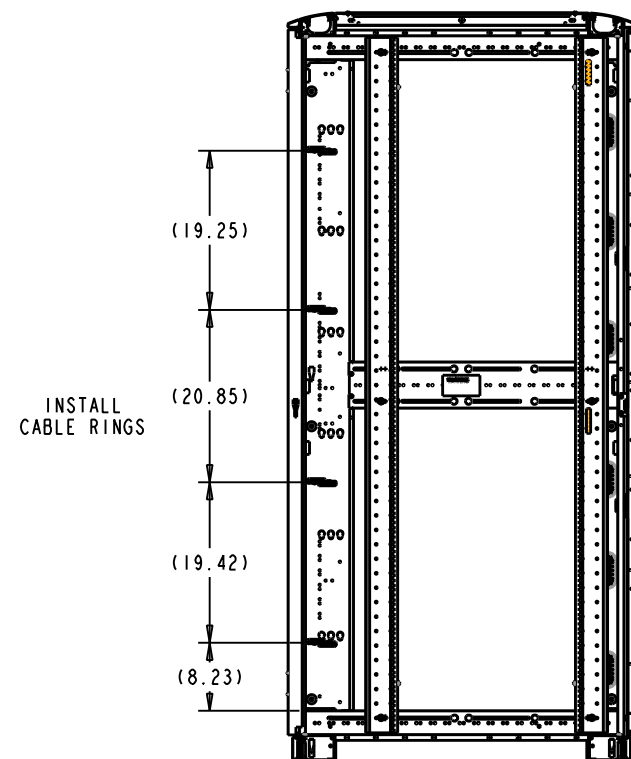
REAR



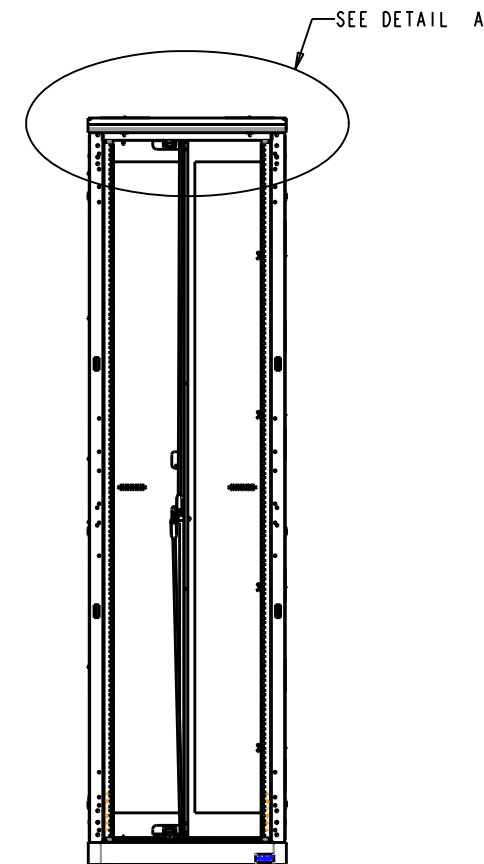
LEFT SIDE



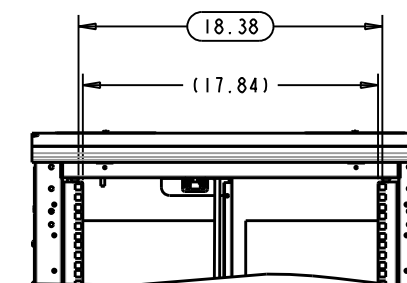
FRONT



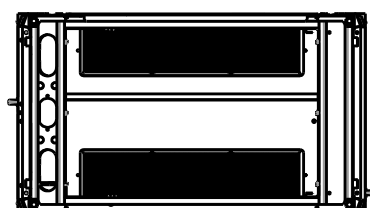
SECTION A-A



SEE DETAIL A



DETAIL A  
SCALE 0.180



BOTTOM

LEVELING FEET

THIS DRAWING CONTAINS PROPRIETARY INFORMATION AND IS LOANED SUBJECT TO RETURN UPON DEMAND AND UPON THE EXPRESS CONDITION THAT IT WILL NOT BE USED IN ANY WAY DETRIMENTAL TO THE INTEREST OF EATON CORPORATION  DRAWN IN THIRD ANGLE PROJECTION 	CAGE NUMBER: 81824		CUSTOMER: EATON CHANNEL		
	DESIGN MGMT SITE: Worcester		DES. BY: MTroio	04/16/12	
	MATERIAL:		DRWN. BY: MTroio	04/16/12	
	MATERIAL FINISH:		PROD. GRP: 50 - Paramount		
TOLERANCE UNLESS SPEC'D .XX ± .02 .XXX ± .005 ALL DIMENSIONS IN INCHES		COLOR: -		CRS GA: N/A	CONFIG - 48U X 24W X 42D PARAMOUNT, RACK HYGIENE
SPEC #:		OTHER: -		REV DATE: 04/16/12	
- 04/16/12 MTroio PRODUCTION RELEASE		EPR113430		SHEET: 3 OF 8	
REV REV. DATE REV'D BY CURRENT REVISION DESCRIPTION		ECN OR EPR NUMBER		REV DATE: 04/16/12	
				D PMT482442H REV -	

-	04/16/12	MTroio	PRODUCTION RELEASE	EPR113430
REV	REV. DATE	REV'D BY	CURRENT REVISION DESCRIPTION	ECN OR EPR NUMBER