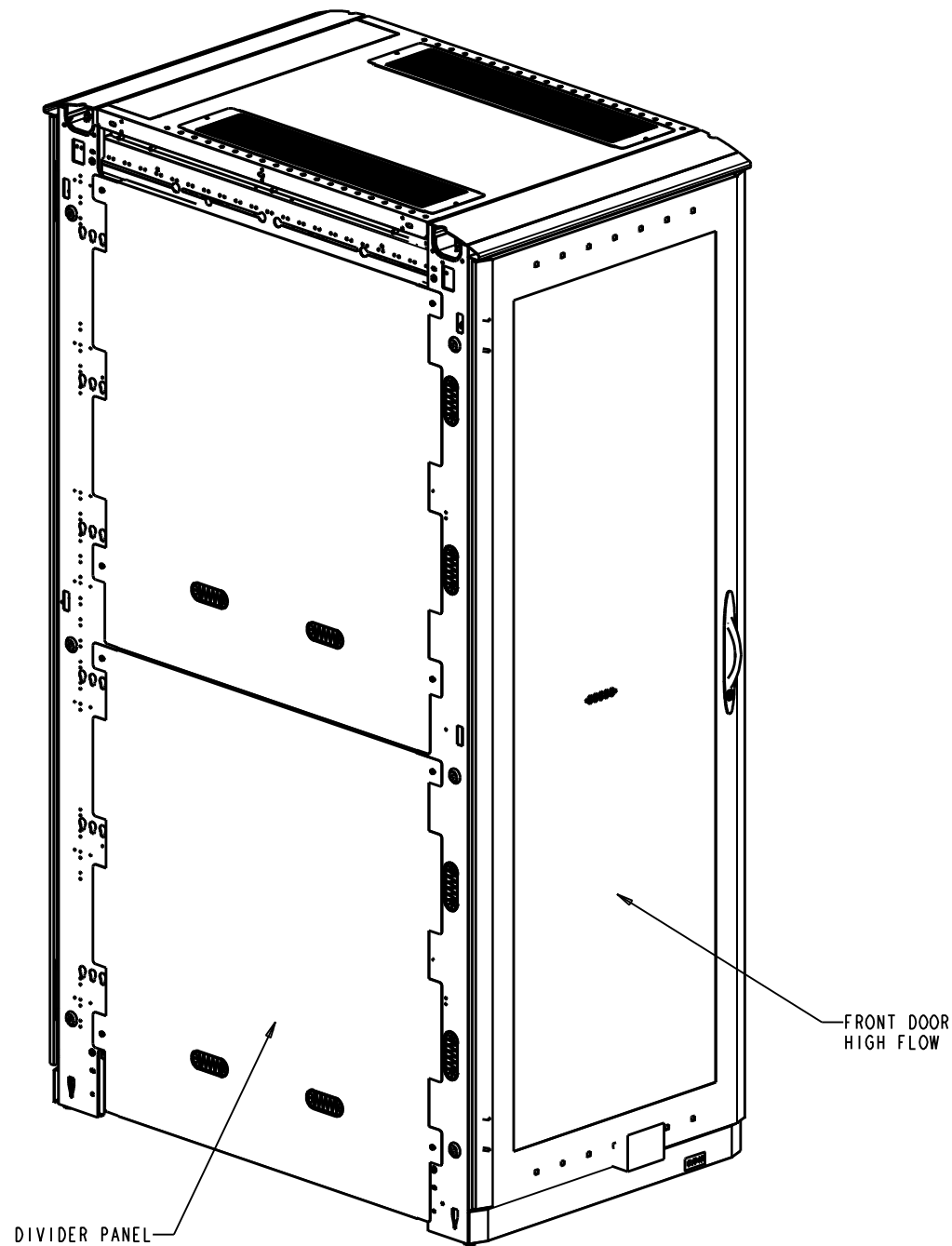
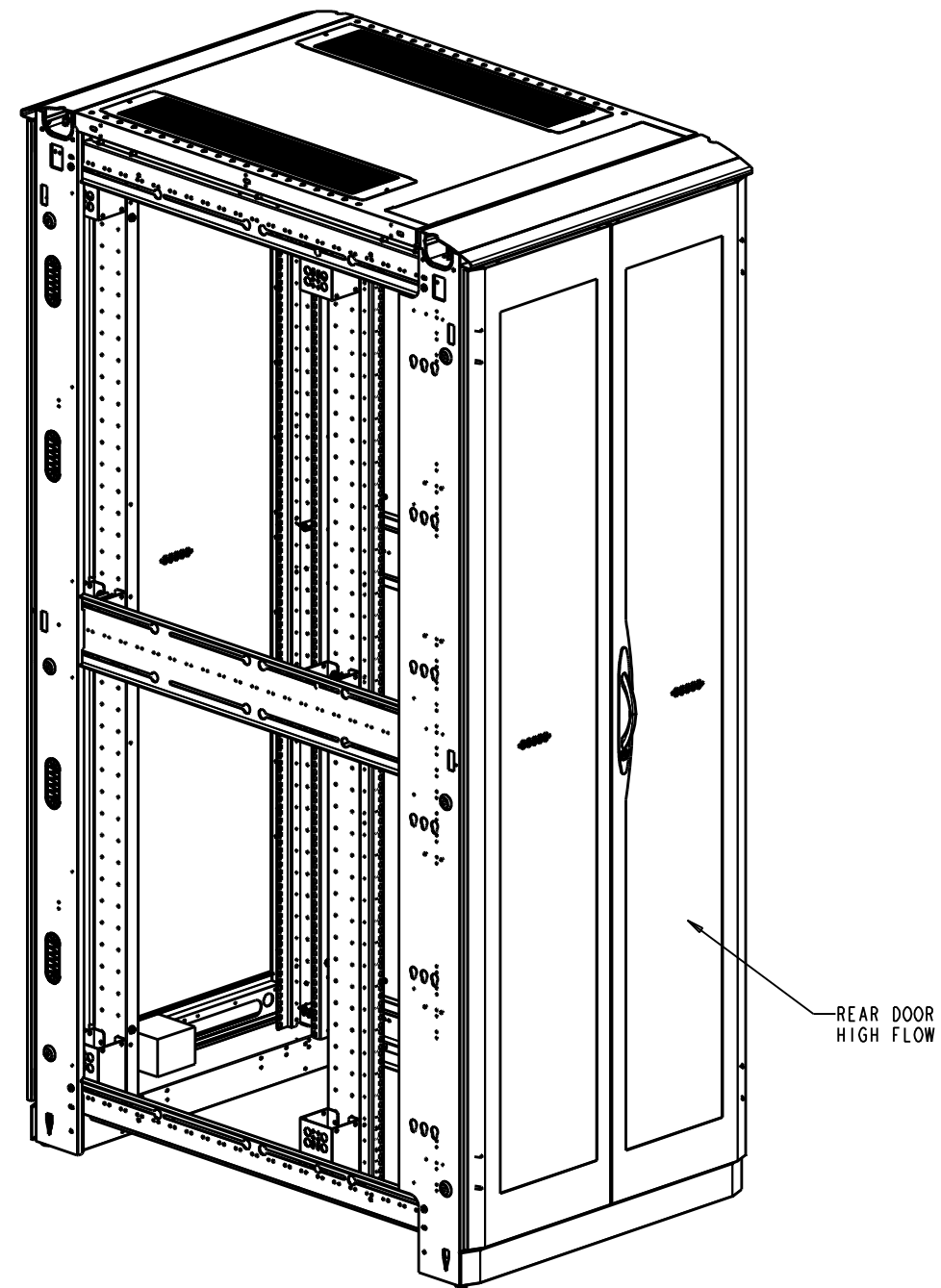


RELEASE STATUS
Production



FRONT ISO



REAR ISO

SHIPPING WEIGHT: 490 LBS

REV	REV. DATE	REV'D BY	CURRENT REVISION DESCRIPTION	ECN OR EPR NUMBER
-	11/28/11	MQuaglia	PRODUCTION RELEASE	EPR113387

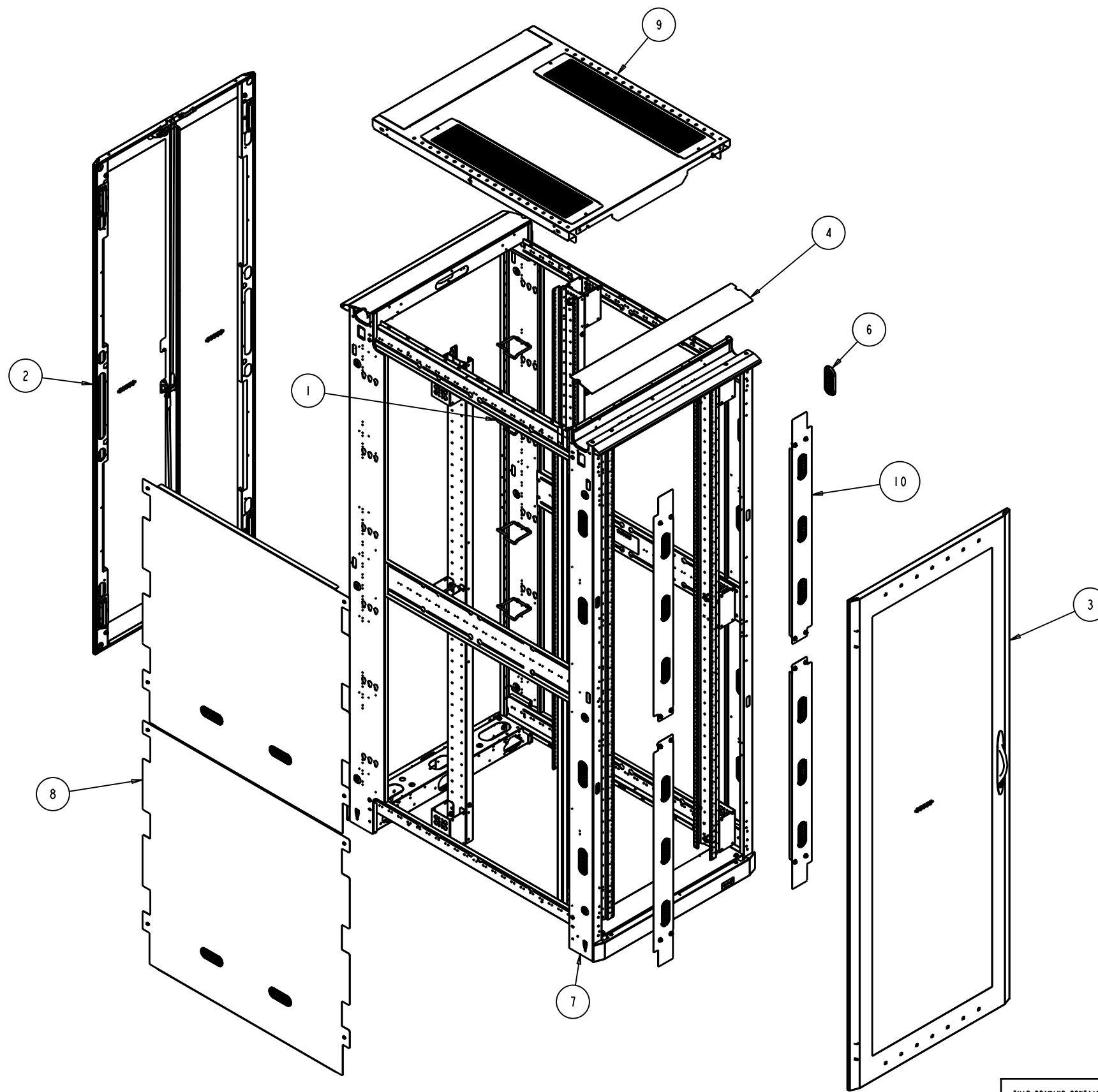
THIS DRAWING CONTAINS PROPRIETARY INFORMATION AND IS LOANED SUBJECT TO RETURN UPON DEMAND AND UPON THE EXPRESS CONDITION THAT IT WILL NOT BE USED IN ANY WAY DETRIMENTAL TO THE INTEREST OF EATON CORPORATION

DRAWN IN THIRD ANGLE PROJECTION

TOLERANCE UNLESS SPEC'D
.XX ± .02
.XXX ± .005
ALL DIMENSIONS IN INCHES

CAGE NUMBER: 81824	CUSTOMER: EATON CHANNEL
DESIGN MGMT SITE: Worcester	DES. BY MQuaglia 11/28/11
MATERIAL:	DRWN. BY MQuaglia 11/28/11
MATERIAL FINISH:	PROD. GRP 50 - Paramount
SPEC #:	COLOR: -
	CRS GA: N/A
	OTHER: -

EATON	
PMOUNT CONFIG 44U X 30W X 48D RACK HYGIENE, 2 EPDUS & HCS TOP	
SHEET: 1 OF 8	REV DATE: 11/28/11
D PMT443048HCSTPL	REV -



ASSEMBLY WIRING NOTE:

- 1. GROUND ALL DOORS, RAILS, TOP AND DIVIDER PANELS.
USE GROUNDING LANYARDS FROM KIT P/N GRNDPMT.
USE STANDARD W/L GROUND POINTS FOR ATTACHMENT AREAS.

ITEM	TYPE	DOCUMENT #	REV	DESCRIPTION	QTY
11	SA	GRNDPMT	-	GROUND KIT - PARAMOUNT	1
10	MA	PMTVDP4430	-	VERTICAL BLANKING PANELS	1
9	MA	PMTNWP3048HCS	-	HCS TOP PANEL - 30W X 48D, DBL	1
8	MA	PMTJVD4448S	-	DIVIDER PANEL ASY - 44U X 48D	1
7	MA	PMTFRM443045	-	WLD - FRAME, 44U X 30W X 45D	1
6	MA	JWOVLGROM	A	GROMMET - OVAL 1.5WX4L	8
5	MA	JRR44CMSQ	C	RM REDUCER RAILS - 44U,	1
4	MA	JFTK30_____	B	FRAME TRIM KIT - 30"W	1
3	MA	JDDHF8430L	-	DOOR, HIGH FLOW	1
2	MA	JDDHF8430	-	ASSEMBLY - SPLIT DOOR, HIGH FLOW	1
1	MA	CMDRNR032U__	-	D-RING KIT, 2U	1

THIS DRAWING CONTAINS PROPRIETARY INFORMATION AND IS LOANED SUBJECT TO RETURN UPON DEMAND AND UPON THE EXPRESS CONDITION THAT IT WILL NOT BE USED IN ANY WAY DETRIMENTAL TO THE INTEREST OF EATON CORPORATION

DRAWN IN THIRD ANGLE PROJECTION

TOLERANCE UNLESS SPEC'D
.XX ± .02
.XXX ± .005
< ± .1"

ALL DIMENSIONS IN INCHES

CAGE NUMBER: 81824

CUSTOMER: EATON CHANNEL

DES. BY: MQuaglia 11/28/11

DRWN. BY: MQuaglia 11/28/11

DESIGN MGMT SITE: Worcester

PROD. GRP: 50 - Paramount

COLOR: -

MATERIAL: -

MATERIAL FINISH: -

SPEC #: -

EATON

PMOUNT CONFIG 44U X 30W X 48D
RACK HYGIENE, 2 EPDUS & HCS TOP

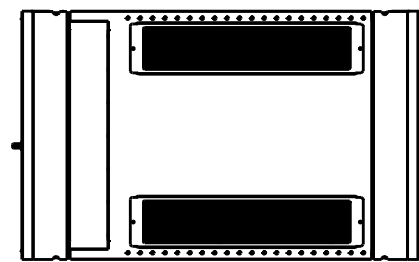
SHEET: 2 OF 8

REV DATE: 11/28/11

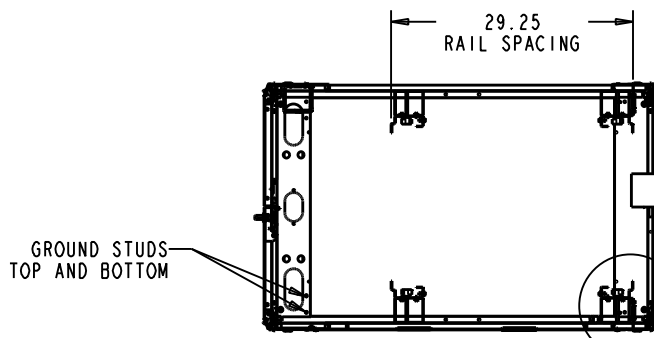
D PMT443048HCSTPL REV -

REV	REV. DATE	REV'D BY	CURRENT REVISION DESCRIPTION	ECN OR EPR NUMBER
-	11/28/11	MQuaglia	PRODUCTION RELEASE	EPR113387

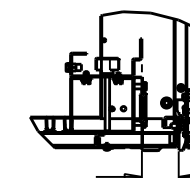
RELEASE STATUS
Production



TOP



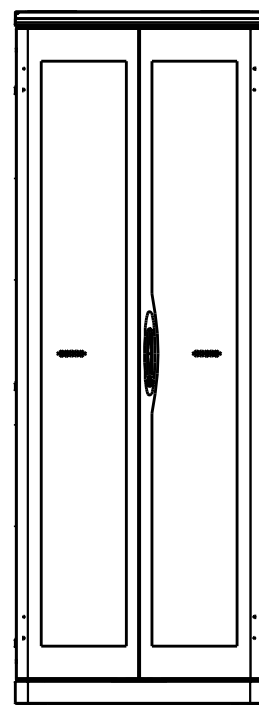
SECTION B-B



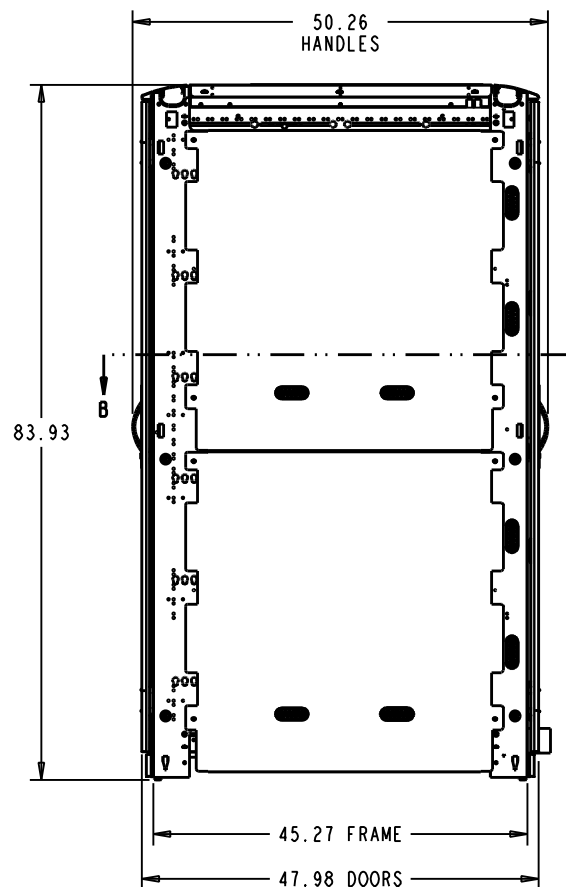
2.00 FROM FRONT OF
RAIL TO FRONT OF
CORNER POST

DETAIL D
SCALE 0.200

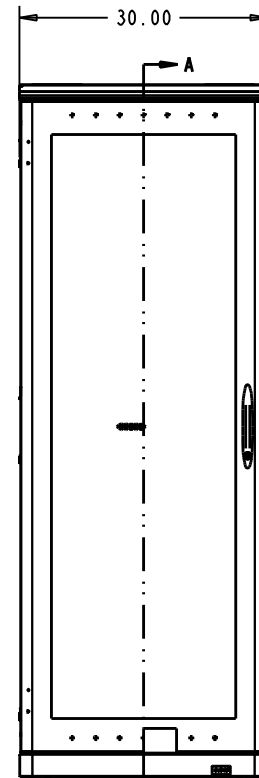
SEE DETAIL D



REAR

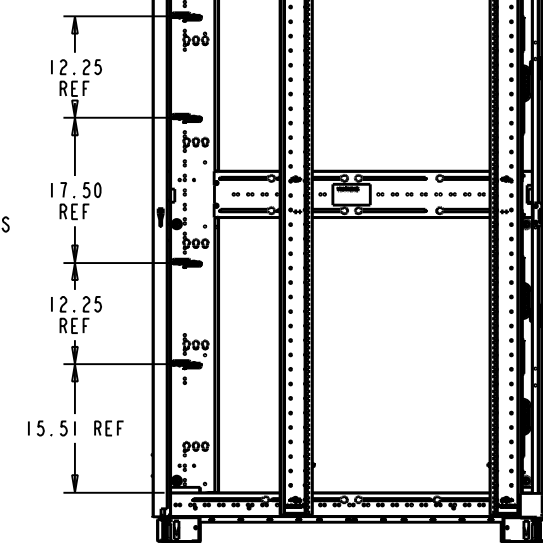


LEFT SIDE

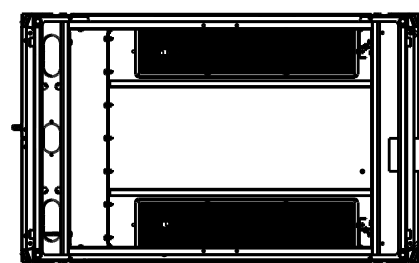
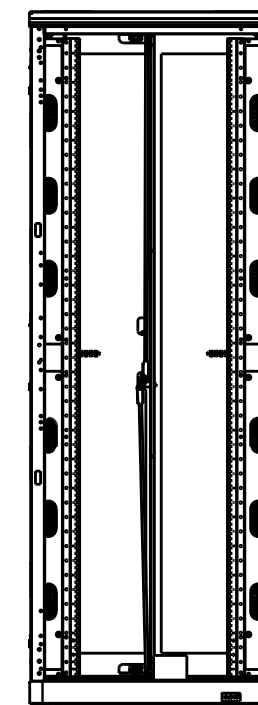


FRONT

INSTALL
CABLE RINGS



SECTION A-A



BOTTOM

LEVELING FEET

<small>THIS DRAWING CONTAINS PROPRIETARY INFORMATION AND IS LOANED SUBJECT TO RETURN UPON DEMAND AND UPON THE EXPRESS CONDITION THAT IT WILL NOT BE USED IN ANY WAY DETRIMENTAL TO THE INTEREST OF EATON CORPORATION</small>	CAGE NUMBER:	CUSTOMER: EATON CHANNEL	
	81824	DES. BY MQuaglia 11/28/11	
	DESIGN MGMT SITE:	DRWN. BY MQuaglia 11/28/11	
	Worcester	PROD. GRP 50 - Paramount	
<small>DRAWN IN THIRD ANGLE PROJECTION</small>	TOLERANCE UNLESS SPEC'D .xxx ± .02 .xxx ± .005 ALL DIMENSIONS IN INCHES	MATERIAL:	PMOUNT CONFIG 44U X 30W X 48D RACK HYGIENE, 2 EPDUS & HCS TOP
		MATERIAL FINISH:	SHEET: 3 OF 8 REV DATE: 11/28/11
		SPEC #:	D PMT443048HCSTPL REV -

-	11/28/11	MQuaglia	PRODUCTION RELEASE	EPR113387
REV	REV. DATE	REV'D BY	CURRENT REVISION DESCRIPTION	ECN OR EPR NUMBER