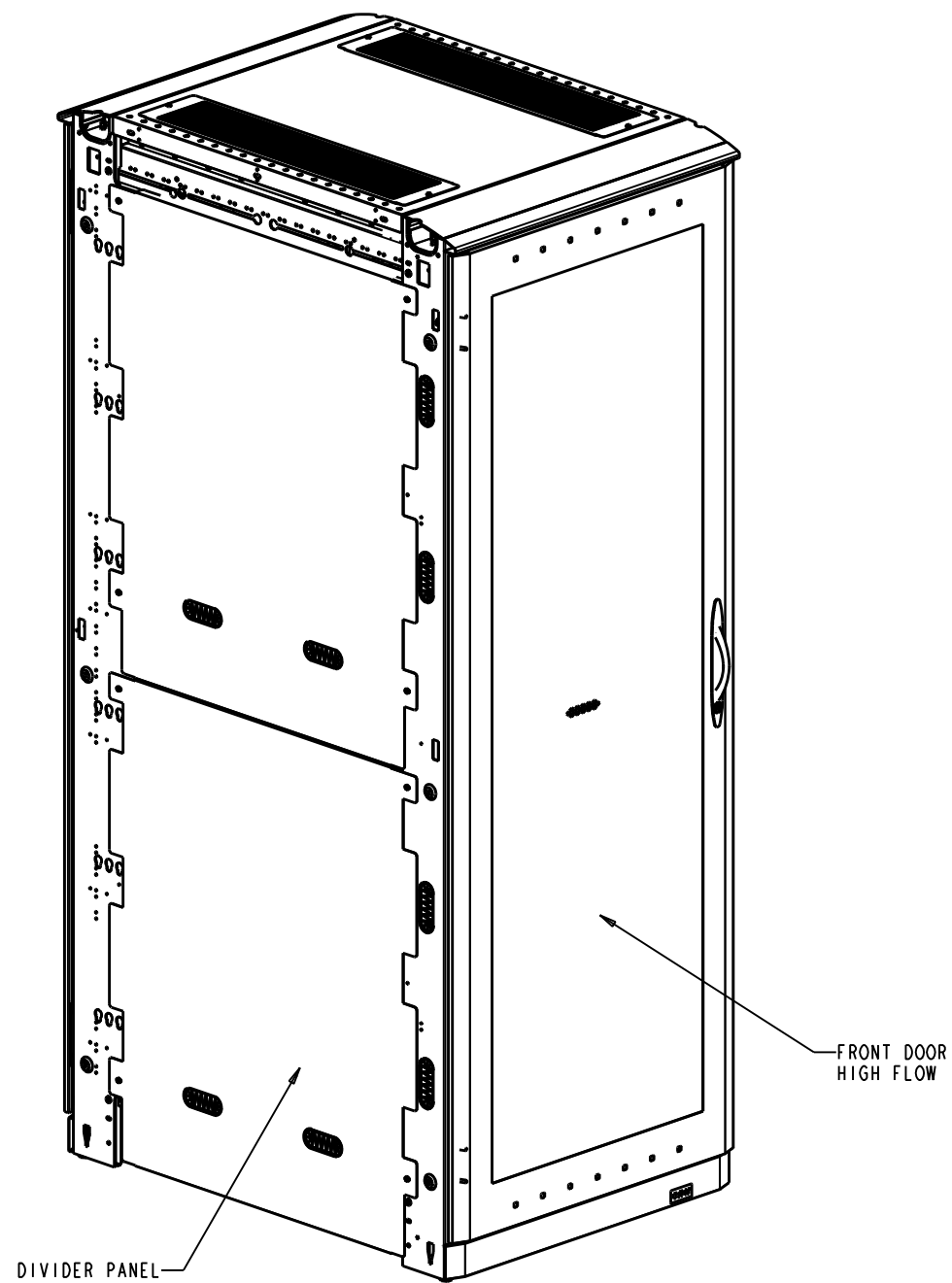
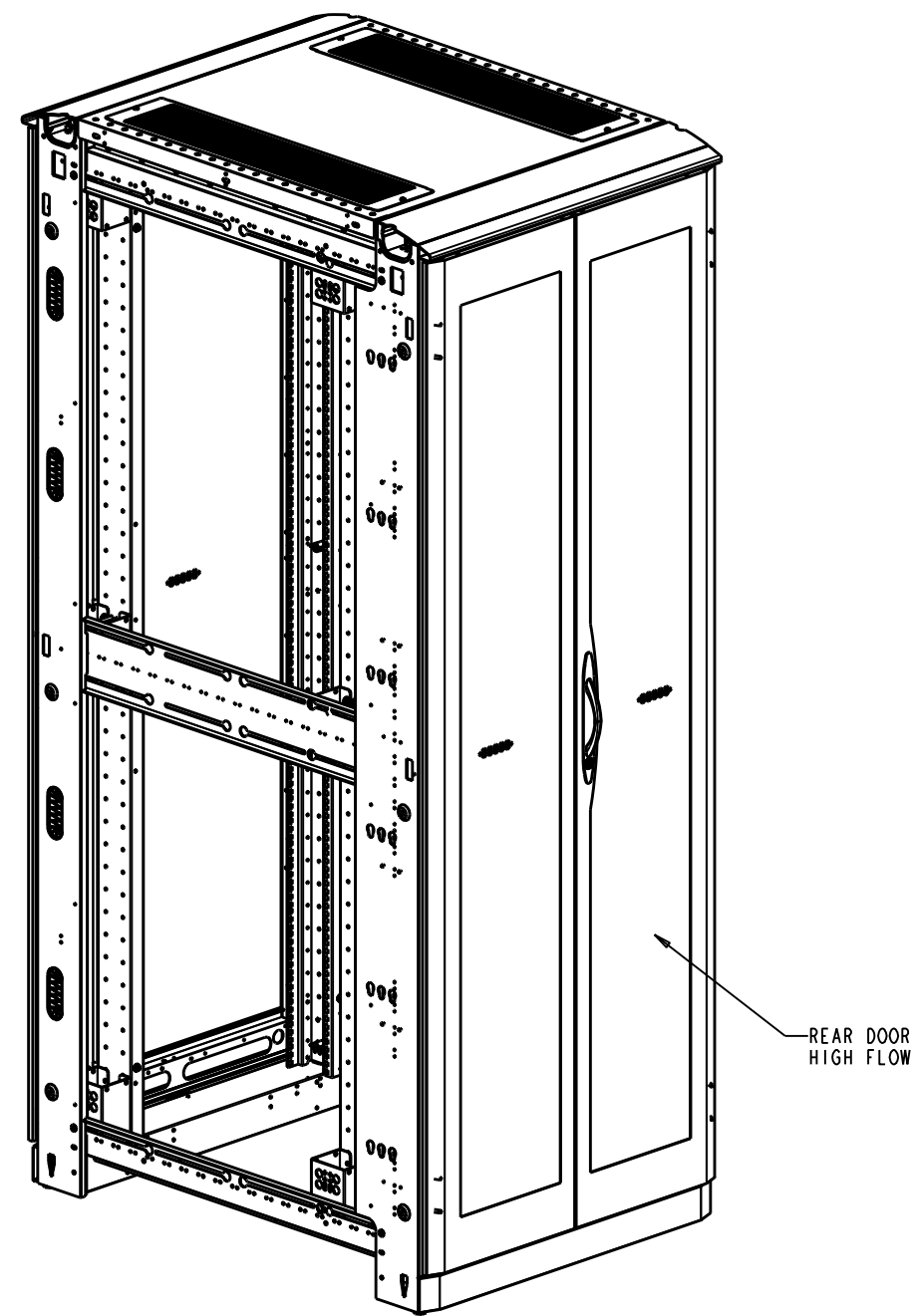


RELEASE STATUS  
Production



FRONT ISO



REAR ISO

SHIPPING WEIGHT: 400 LBS

REV	REV. DATE	REV'D BY	PRODUCTION RELEASE	ECN OR EPR NUMBER
-	-	-	PRODUCTION RELEASE	EPR113222
-	-	-	CURRENT REVISION DESCRIPTION	-

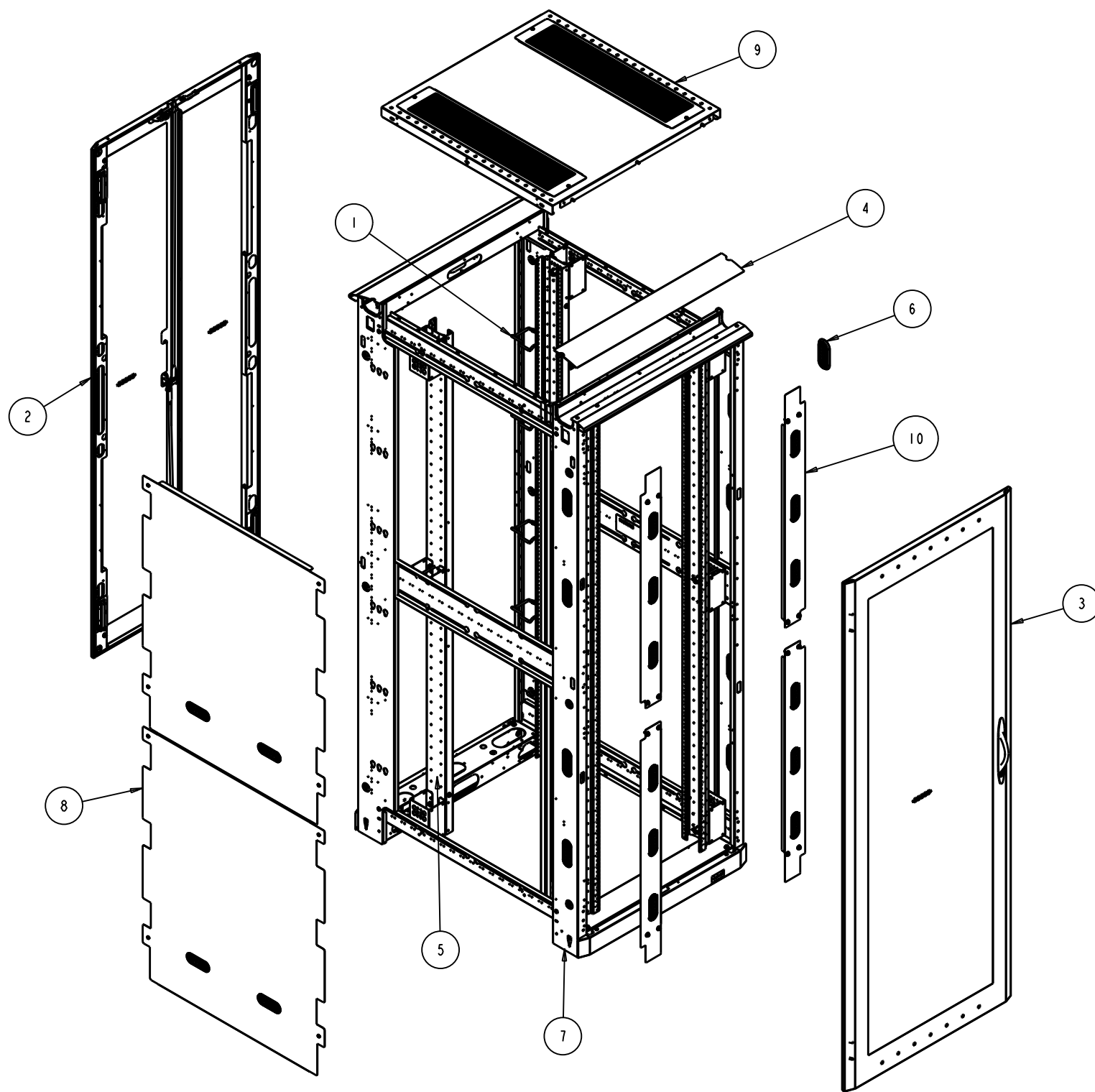
THIS DRAWING CONTAINS PROPRIETARY INFORMATION AND IS LOANED SUBJECT TO RETURN UPON DEMAND AND UPON THE EXPRESS CONDITION THAT IT WILL NOT BE USED IN ANY WAY DETRIMENTAL TO THE INTEREST OF EATON CORPORATION

DRAWN IN THIRD ANGLE PROJECTION

TOLERANCE UNLESS SPEC'D  
 .XX ± .02  
 .XXX ± .005  
 <math>\angle \pm 1^\circ</math>  
 ALL DIMENSIONS IN INCHES

CAGE NUMBER: 81824	CUSTOMER: EATON CHANNEL
DESIGN MGMT SITE: Worcester	DES. BY DNeIson 08/16/11
MATERIAL:	DRWN. BY DNeIson 08/16/11
MATERIAL FINISH:	PROD. GRP 50 - Paramount
SPEC #:	COLOR: -
	CRS GA: N/A
	OTHER: -

<b>EATON</b>	
CONFIG - 44U X 30W X 42D PARAMOUNT W/ RACK HYGIENE	
SHEET: 1 OF 8	REV DATE: -
D PMT443042H	REV -



ASSEMBLY WIRING NOTE:

- GROUND ALL DOORS, RAILS, TOP AND DIVIDER PANELS.  
USE GROUNDING LANYARDS FROM KIT P/N GRNDPMT.  
USE STANDARD W/L GROUND POINTS FOR ATTACHMENT AREAS.

ITEM	TYPE	DOCUMENT #	REV	DESCRIPTION	QTY
11	SA	GRNDPMT	-	GROUND KIT - PARAMOUNT	1
10	MA	PMTVDP4430	-	VERTICAL BLANKING PANELS	1
9	MA	PMTNWP3042	-	ASSEMBLY - TOP PANEL, 30W X 42D	1
8	MA	PMTJVD4442S	A	DIVIDER PANEL ASY - 44U X 42D	1
7	MA	PMTFRM443040	A	WLD - FRAME, 44U X 30W X 40D	1
6	MA	JWOVLGROM	A	GROMMET - OVAL 1.5WX4L	8
5	MA	JRR44CMSQ	C	RM REDUCER RAILS - 44U,	1
4	MA	JFTK30_	B	FRAME TRIM KIT - 30"W	1
3	MA	JDHF8430L	-	DOOR, HIGH FLOW	1
2	MA	JDDHF8430	-	ASSEMBLY - SPLIT DOOR, HIGH FLOW	1
1	MA	CMDRNR032U_	-	D-RING KIT, 2U	1

THIS DRAWING CONTAINS PROPRIETARY INFORMATION AND IS LOANED SUBJECT TO RETURN UPON DEMAND AND UPON THE EXPRESS CONDITION THAT IT WILL NOT BE USED IN ANY WAY DETRIMENTAL TO THE INTEREST OF EATON CORPORATION

DRAWN IN THIRD ANGLE PROJECTION

TOLERANCE UNLESS SPEC'D  
 .XX ± .02  
 .XXX ± .005  
 < ± .1"

ALL DIMENSIONS IN INCHES

CAGE NUMBER: 81824

CUSTOMER: EATON CHANNEL

DES. BY: DNeison 08/16/11

DRWN. BY: DNeison 08/16/11

DESIGN MGMT SITE: Worcester

PROD. GRP: 50 - Paramount

COLOR: -

MATERIAL: CRS GA: N/A

MATERIAL FINISH: OTHER: -

SPEC #: -



CONFIG - 44U X 30W X 42D  
PARAMOUNT W/ RACK HYGIENE

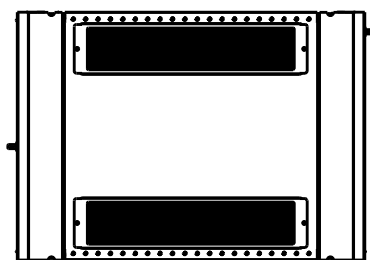
SHEET: 2 OF 8

REV DATE: -

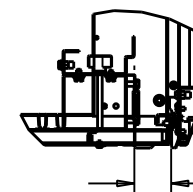
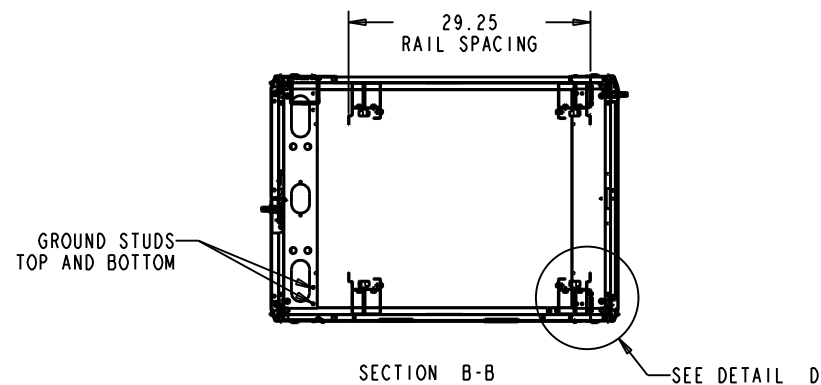
D PMT443042H REV -

REV	REV. DATE	REV'D BY	PRODUCTION RELEASE	ECN OR EPR NUMBER
-	-	-	PRODUCTION RELEASE	EPRI13222
-	-	-	CURRENT REVISION DESCRIPTION	-

RELEASE STATUS  
Production

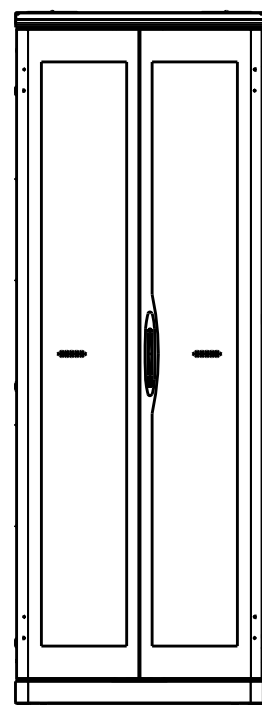


TOP

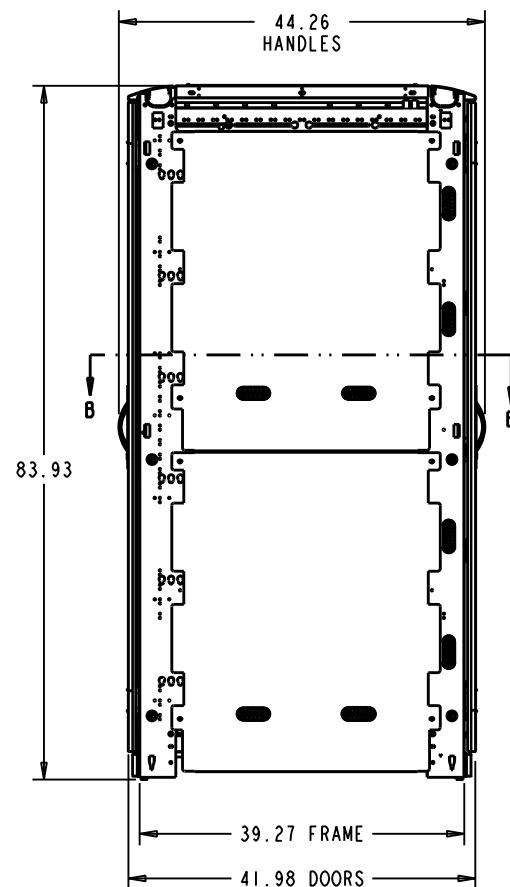


DETAIL D  
SCALE 0.200

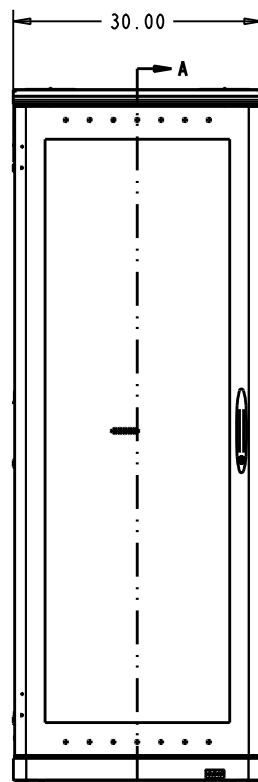
2.00 FROM FRONT  
OF RAIL TO FRONT  
OF CORNER POST



REAR

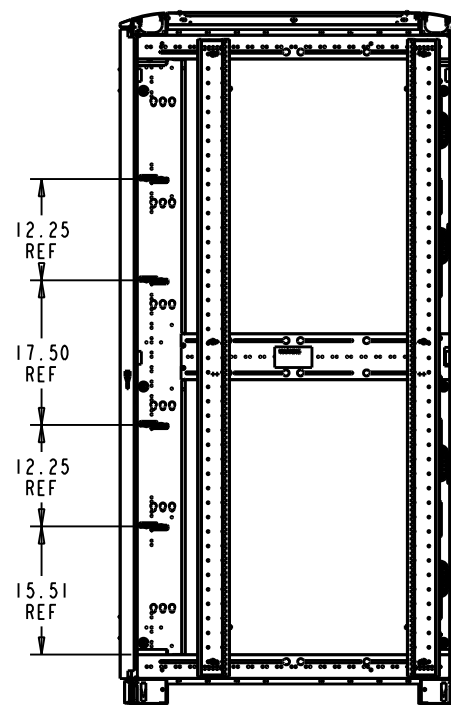


LEFT SIDE

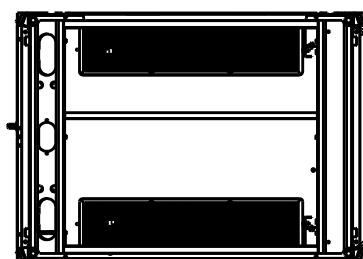
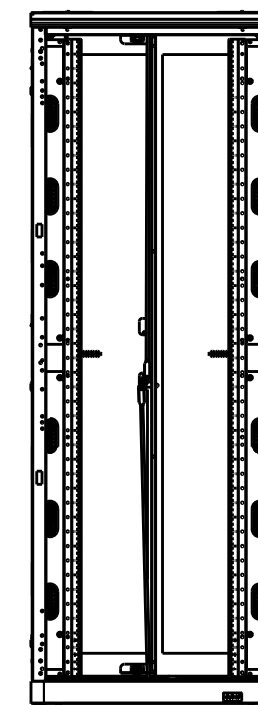


FRONT

INSTALL  
CABLE RINGS



SECTION A-A



BOTTOM

LEVELING FEET

<small>THIS DRAWING CONTAINS PROPRIETARY INFORMATION AND IS LOANED SUBJECT TO RETURN UPON DEMAND AND UPON THE EXPRESS CONDITION THAT IT WILL NOT BE USED IN ANY WAY DETRIMENTAL TO THE INTEREST OF EATON CORPORATION</small>	CAGE NUMBER:	CUSTOMER: EATON CHANNEL	
	81824	DES. BY D Nelson 08/16/11	
	DESIGN MGMT SITE:	DRWN. BY D Nelson 08/16/11	
	Worcester	PROD. GRP 50 - Paramount	
<small>DRAWN IN THIRD ANGLE PROJECTION</small> 	TOLERANCE UNLESS SPEC'D	OTHER: -	CONFIG - 44U X 30W X 42D PARAMOUNT W/ RACK HYGIENE
	.XXX ± .02 .< .XXX ± .005 ALL DIMENSIONS IN INCHES	CRS GA: N/A	
MATERIAL:		REV DATE: -	SHEET: 3 OF 8 D PMT443042H REV -
MATERIAL FINISH:		REV DATE: -	
SPEC #:			

-	-	-	PRODUCTION RELEASE	EPR113222
REV	REV. DATE	REV'D BY	CURRENT REVISION DESCRIPTION	ECN OR EPR NUMBER