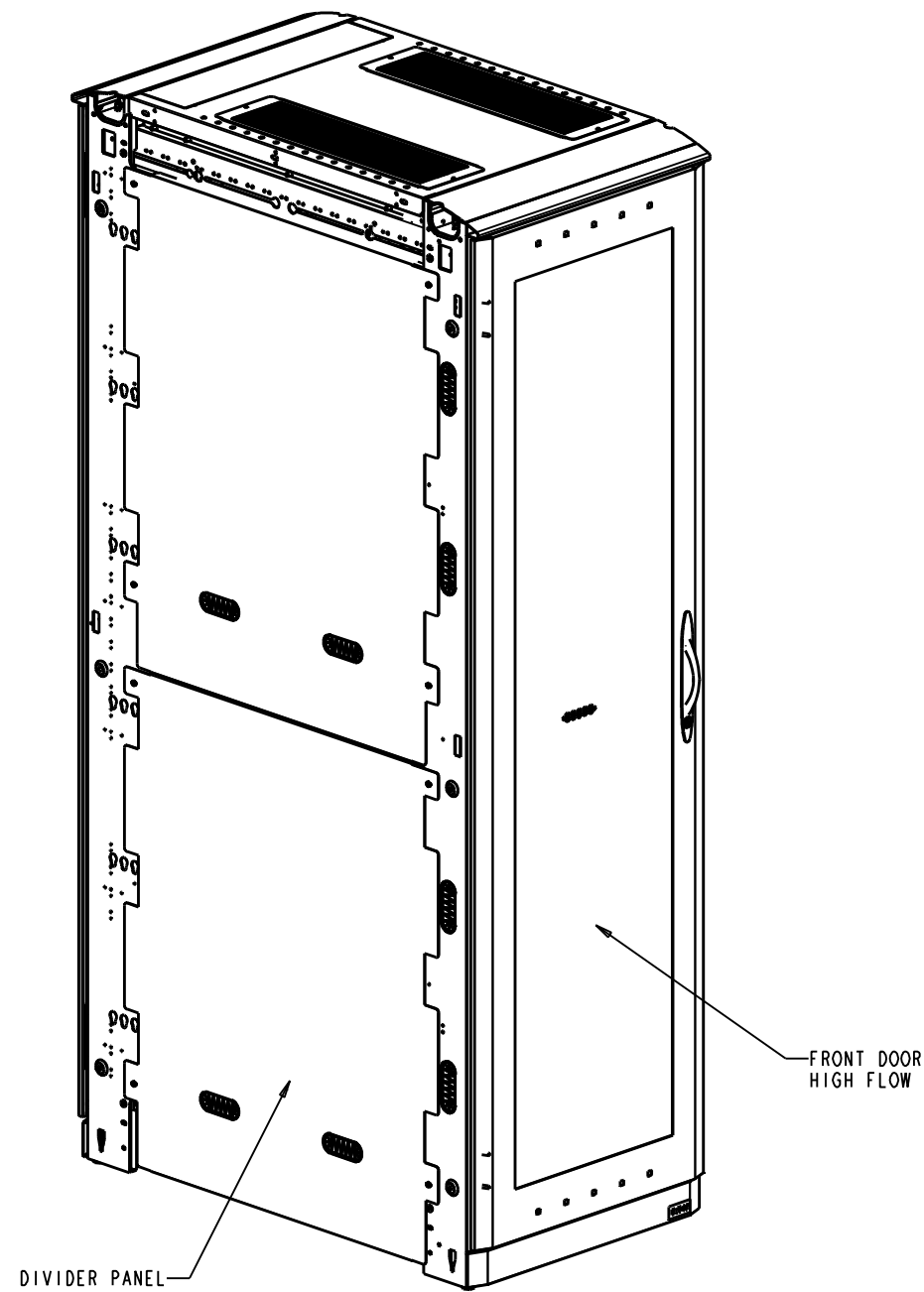
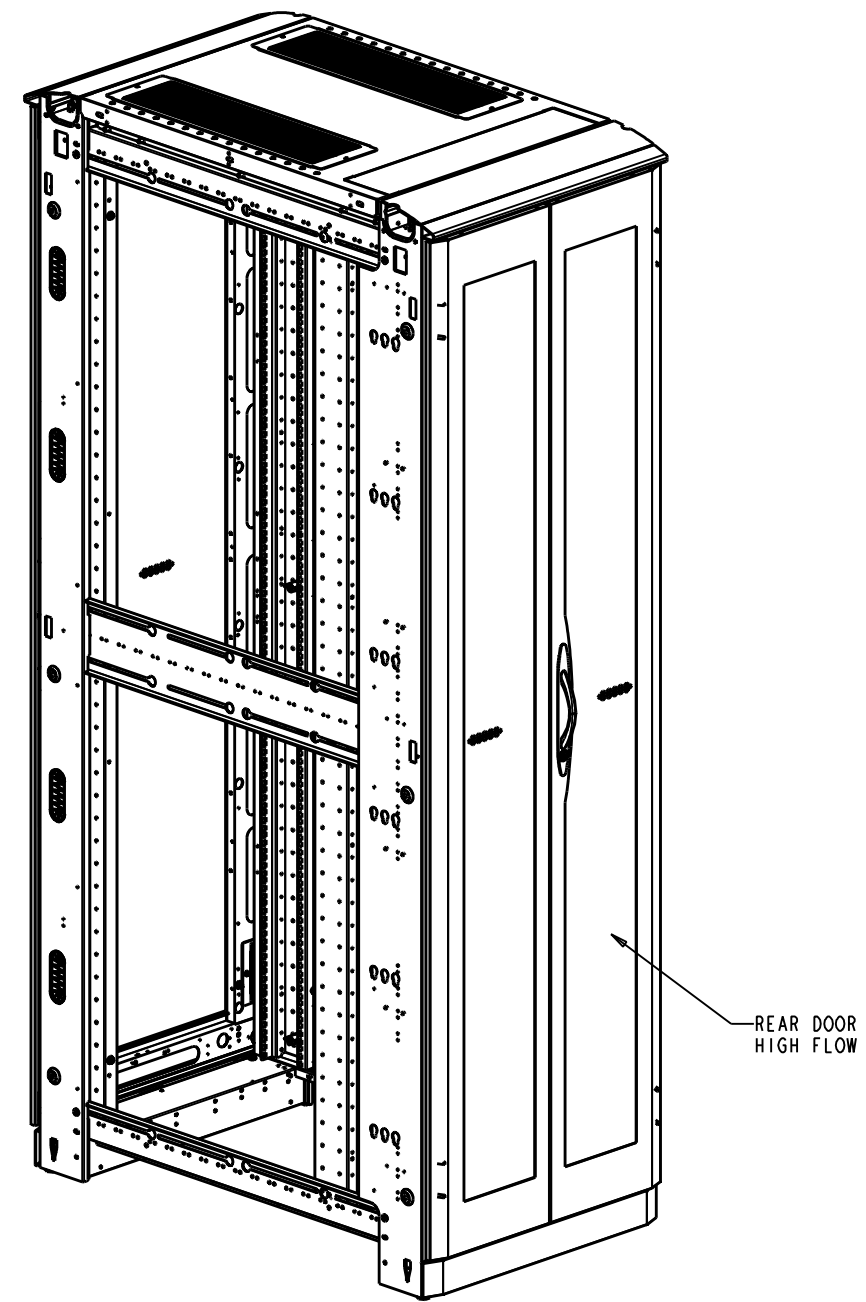


RELEASE STATUS
Production



FRONT ISO



REAR ISO

SHIPPING WEIGHT: 360 LBS

REV	REV. DATE	REV'D BY	CURRENT REVISION DESCRIPTION	ECN OR EPR NUMBER
-	11/28/11	MQuaglia	PRODUCTION RELEASE	EPR113387

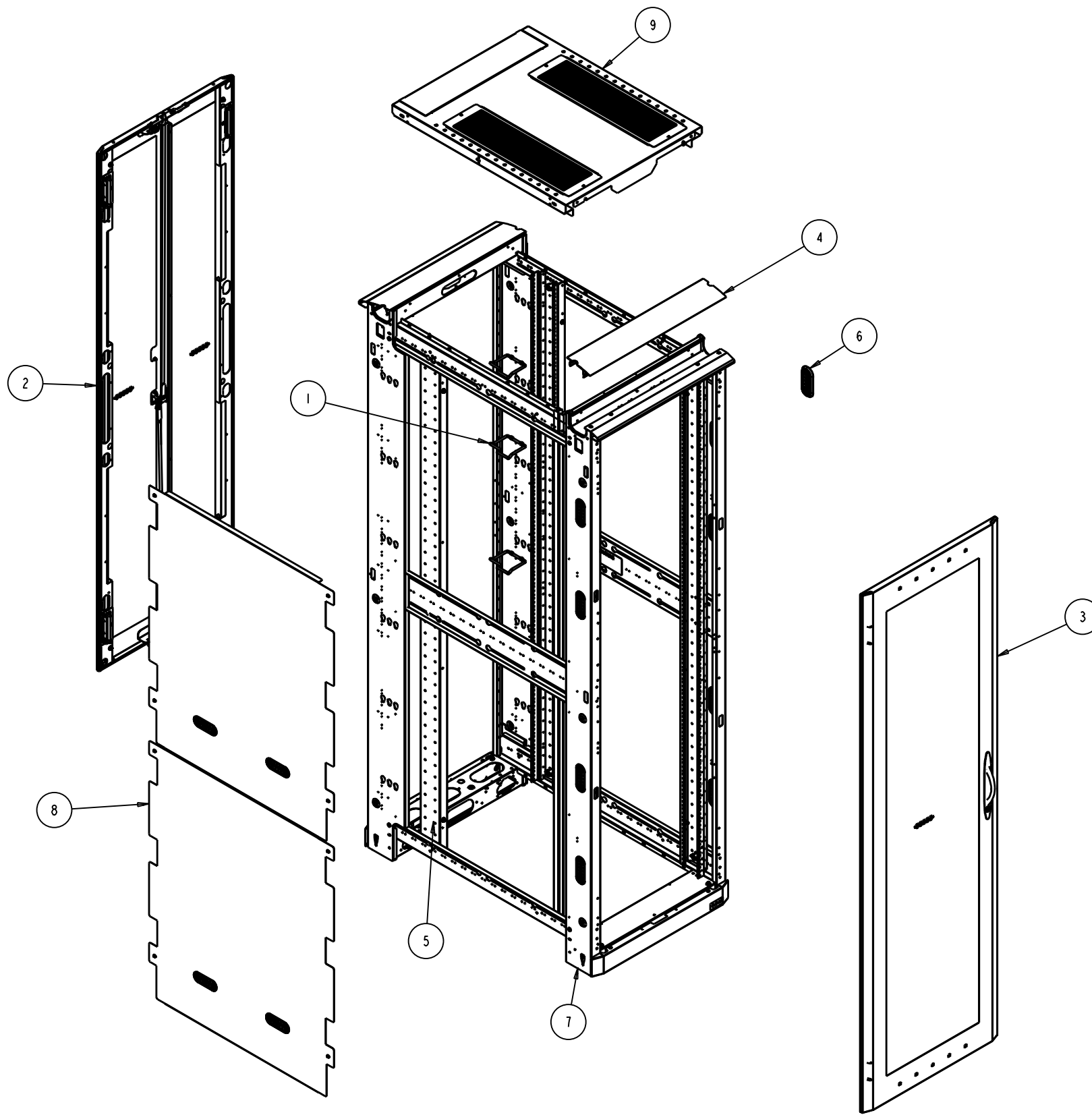
THIS DRAWING CONTAINS PROPRIETARY INFORMATION AND IS LOANED SUBJECT TO RETURN UPON DEMAND AND UPON THE EXPRESS CONDITION THAT IT WILL NOT BE USED IN ANY WAY DETRIMENTAL TO THE INTEREST OF EATON CORPORATION

DRAWN IN THIRD ANGLE PROJECTION

TOLERANCE UNLESS SPEC'D
 .XX ± .02
 .XXX ± .005
 < ± .1
 ALL DIMENSIONS IN INCHES

CAGE NUMBER: 81824	CUSTOMER: EATON CHANNEL
DES. BY: MQuaglia	11/28/11
DRWN. BY: MQuaglia	11/28/11
DESIGN MGMT SITE: Worcester	PROD. GRP: 50 - Paramount
MATERIAL:	COLOR: -
MATERIAL FINISH:	CRS GA: N/A
SPEC #:	OTHER: -

EATON	
PMOUNT CONFIG 44U X 24W X 42D RACK HYGIENE, 2 EPDUS & HCS TOP	
SHEET: 1 OF 8	REV DATE: 11/28/11
D PMT44242HCSTPL	REV -



ASSEMBLY WIRING NOTE:

- GROUND ALL DOORS, RAILS, TOP AND DIVIDER PANELS.
USE GROUNDING LANYARDS FROM KIT P/N GRNDPMT.
USE STANDARD W/L GROUND POINTS FOR ATTACHMENT AREAS.

ITEM	TYPE	DOCUMENT #	REV	DESCRIPTION	QTY
10	SA	GRNDPMT	-	GROUND KIT - PARAMOUNT	1
9	MA	PMTNWP2442HCS	-	HCS TOP PANEL - 24W X 42D, DBL	1
8	MA	PMTJVD4442S	A	DIVIDER PANEL ASY - 44U X 42D	1
7	MA	PMTFRM442440	-	WLD - FRAME, 44U X 24W X 40D	1
6	MA	JWOVLGROM	A	GROMMET - OVAL 1.5WX4L	8
5	MA	JRM10000_	-	RACK MOUNT RAILS - 44U	1
4	MA	JFTK24_	B	FRAME TRIM KIT - 24"W	1
3	MA	JDDHF8424L	-	DOOR, HIGH FLOW	1
2	MA	JDDHF8424	-	ASSEMBLY - SPLIT DOOR, HIGH FLOW	1
1	MA	CMDRNR032U_	-	D-RING KIT, 2U	1

THIS DRAWING CONTAINS PROPRIETARY INFORMATION AND IS LOANED SUBJECT TO RETURN UPON DEMAND AND UPON THE EXPRESS CONDITION THAT IT WILL NOT BE USED IN ANY WAY DETRIMENTAL TO THE INTEREST OF EATON CORPORATION

DRAWN IN THIRD ANGLE PROJECTION

TOLERANCE UNLESS SPEC'D
.XX ± .02
.XXX ± .005
∠ ± 1°
ALL DIMENSIONS IN INCHES

CAGE NUMBER: 81824
CUSTOMER: EATON CHANNEL
DES. BY: MQuaglia 11/28/11
DRWN. BY: MQuaglia 11/28/11
DESIGN MGMT SITE: Worcester
PROD. GRP: 50 - Paramount
COLOR: -
CRS GA: N/A
OTHER: -
MATERIAL:
MATERIAL FINISH:
SPEC #:

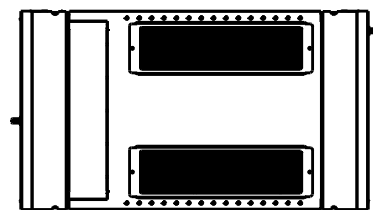
EATON

PMOUNT CONFIG 44U X 24W X 42D
RACK HYGIENE, 2 EPDUS & HCS TOP

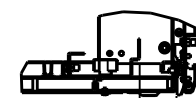
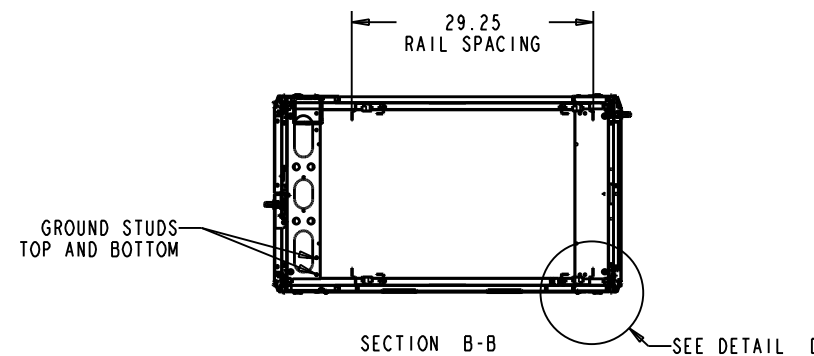
SHEET: 2 OF 8
REV DATE: 11/28/11
D PMT442442HCSTPL REV -

REV	REV. DATE	REV'D BY	CURRENT REVISION DESCRIPTION	ECN OR EPR NUMBER
-	11/28/11	MQuaglia	PRODUCTION RELEASE	EPR113387

RELEASE STATUS
Production



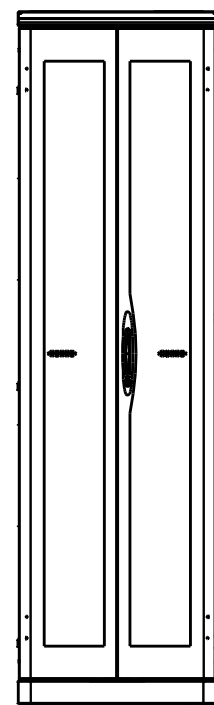
TOP



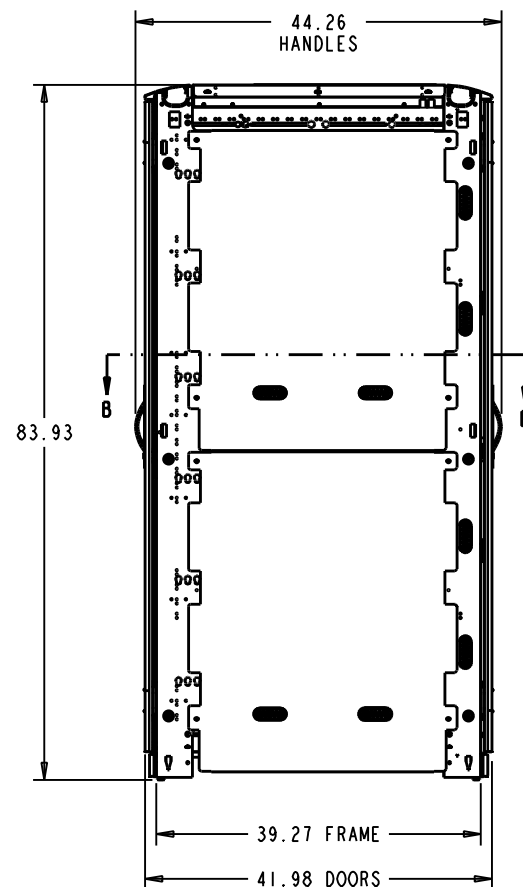
2.00 FROM FRONT OF RAIL TO FRONT OF CORNER POST

DETAIL D
SCALE 0.200

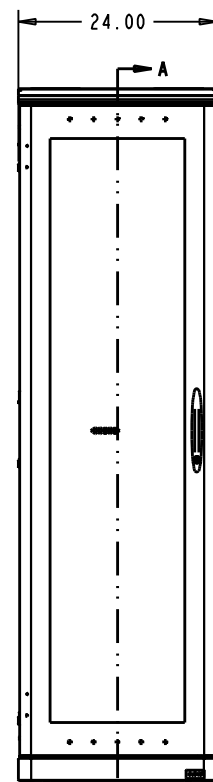
SECTION B-B SEE DETAIL D



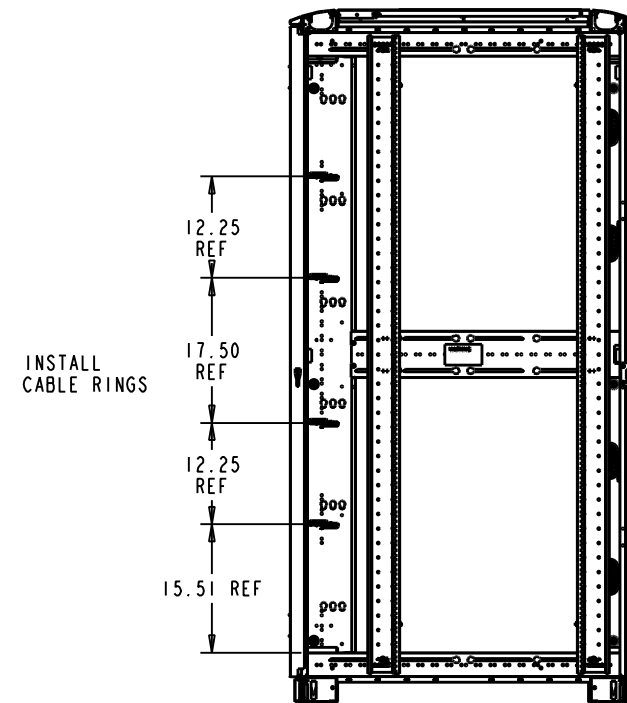
REAR



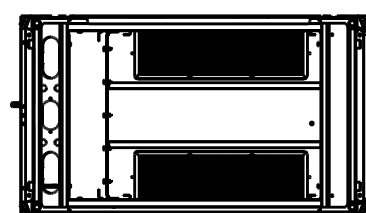
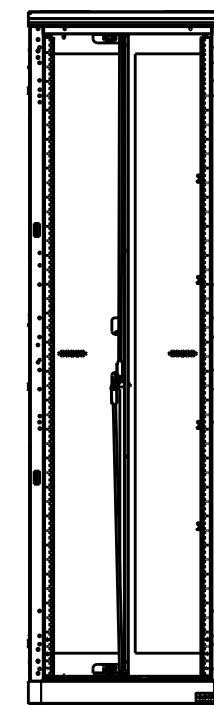
LEFT SIDE



FRONT



SECTION A-A



LEVELING FEET

BOTTOM

THIS DRAWING CONTAINS PROPRIETARY INFORMATION AND IS LOANED SUBJECT TO RETURN UPON DEMAND AND UPON THE EXPRESS CONDITION THAT IT WILL NOT BE USED IN ANY WAY DETRIMENTAL TO THE INTEREST OF EATON CORPORATION	CAGE NUMBER:	CUSTOMER: EATON CHANNEL	
	81824	DES. BY MQuaglia 11/28/11	
	DESIGN MGMT SITE: Worcester	DRWN. BY MQuaglia 11/28/11	
	PROD. GRP 50 - Paramount	COLOR: -	
DRAWN IN THIRD ANGLE PROJECTION <input type="checkbox"/> <input checked="" type="checkbox"/>	TOLERANCE UNLESS SPEC'D .XX ± .02 .XXX ± .005 < ± 1"	CRS GA: N/A	PMOUNT CONFIG 44U X 24W X 42D RACK HYGIENE, 2 EPDUS & HCS TOP
ALL DIMENSIONS IN INCHES	MATERIAL:	OTHER: -	SHEET: 3 OF 8 REV DATE: 11/28/11
	MATERIAL FINISH:		D PMT44242HCSTPL REV -
	SPEC #:		

-	11/28/11	MQuaglia	PRODUCTION RELEASE	EPR113387
REV	REV. DATE	REV'D BY	CURRENT REVISION DESCRIPTION	ECN OR EPR NUMBER