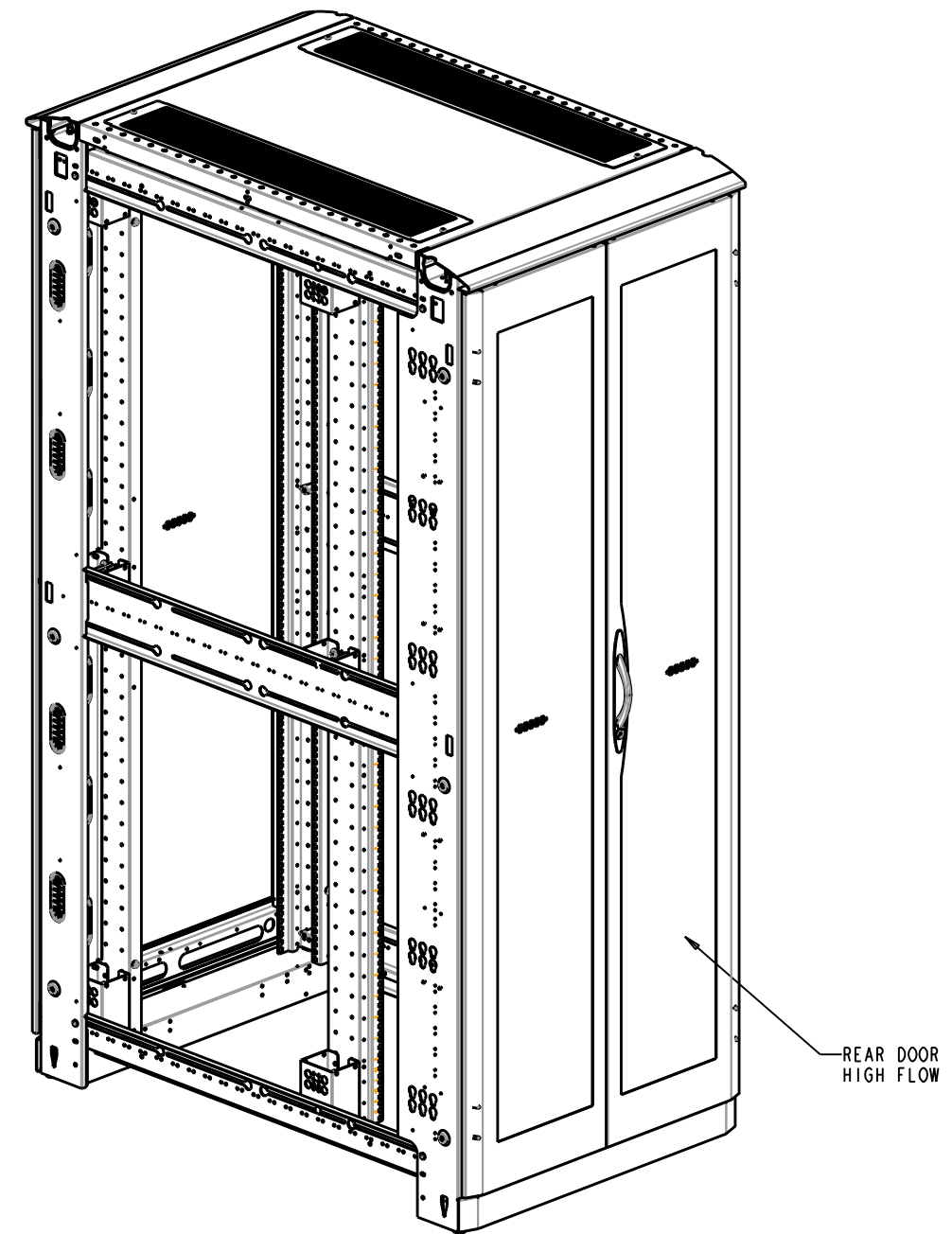
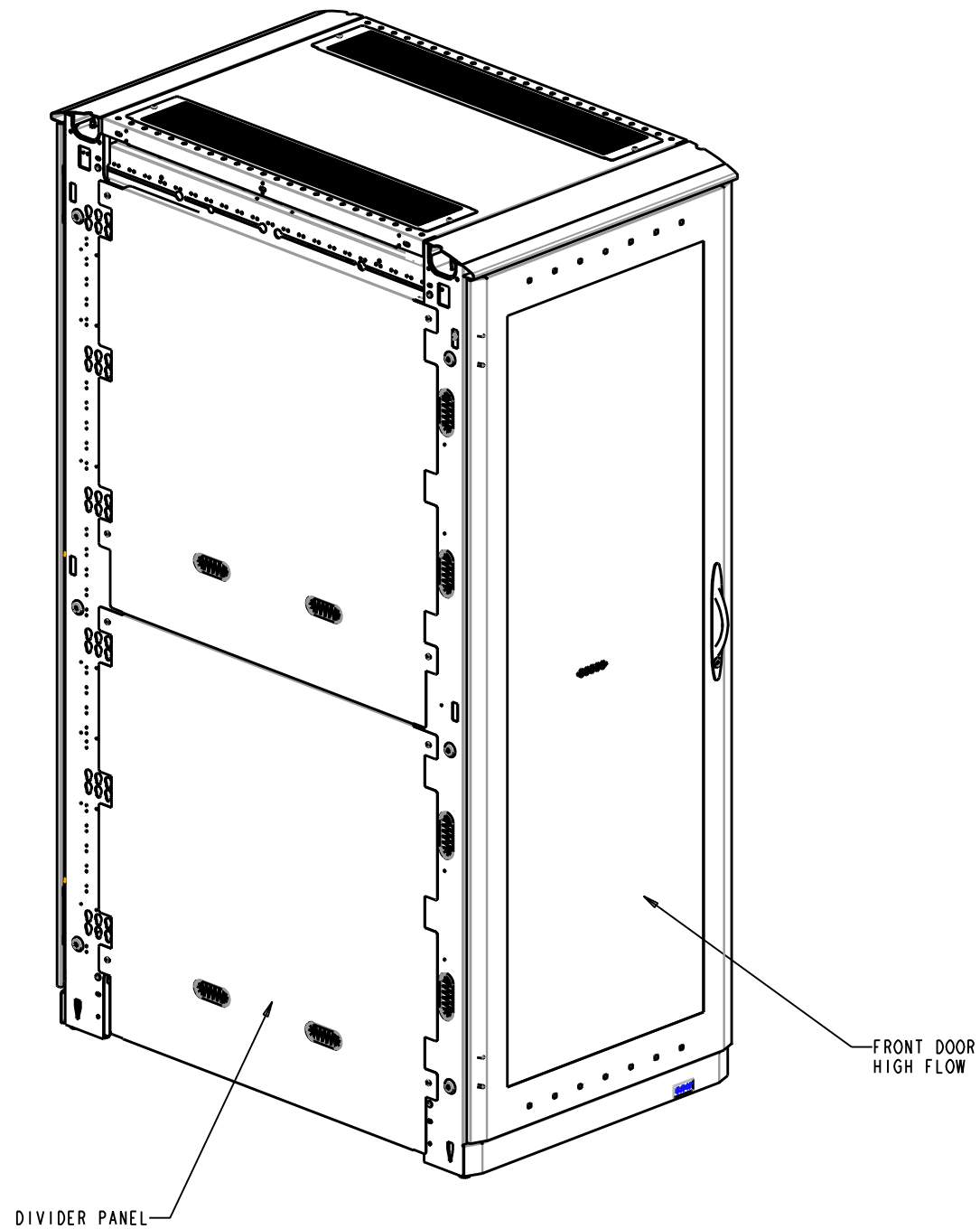


RELEASE STATUS
Production



SHIPPING WEIGHT: 339 LBS

REV	REV. DATE	REV'D BY	CURRENT REVISION DESCRIPTION	ECN OR EPR NUMBER
-	03/19/12	MTroio	PRODUCTION RELEASE	EPR123513

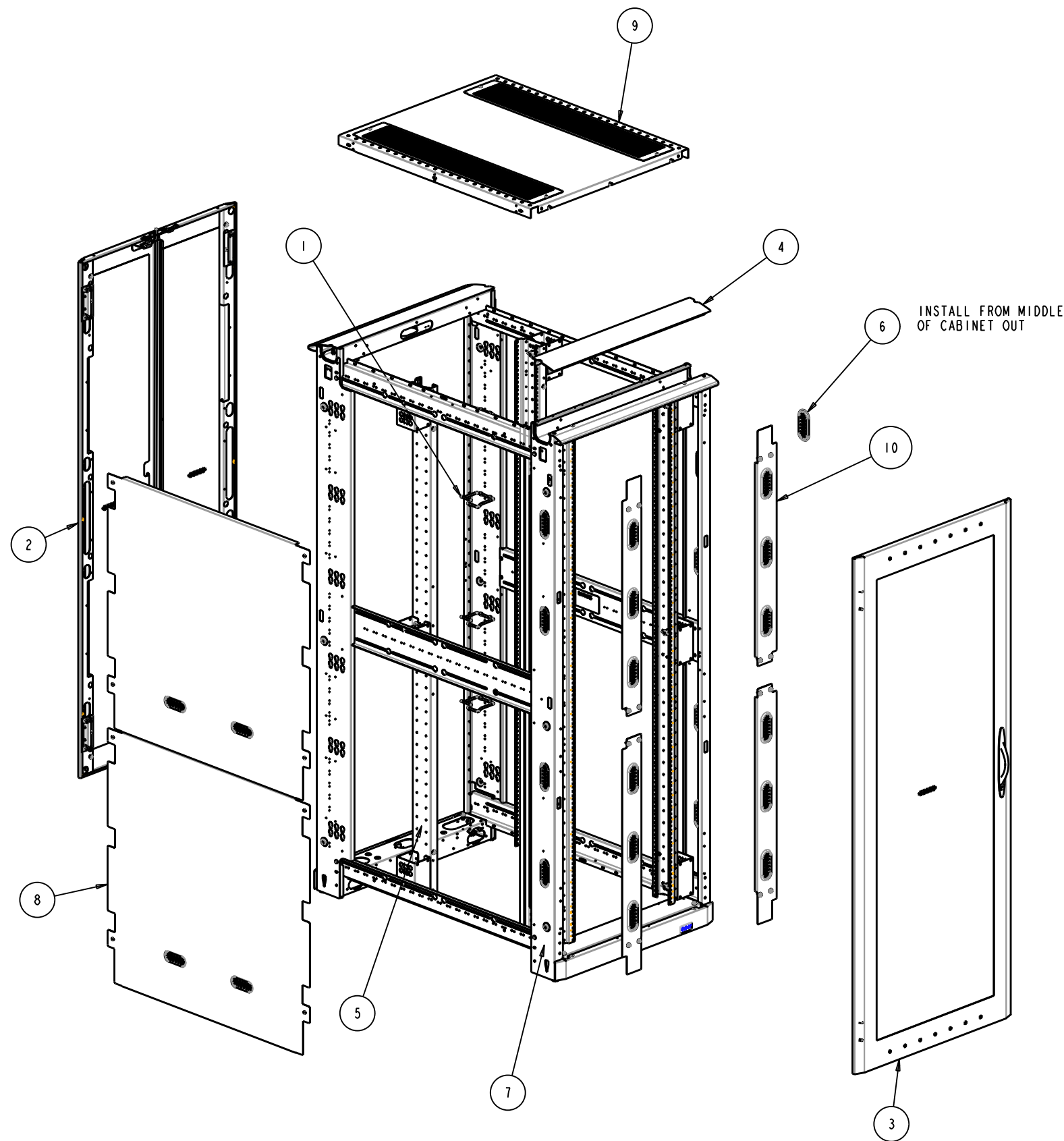
THIS DRAWING CONTAINS PROPRIETARY INFORMATION AND IS LOANED SUBJECT TO RETURN UPON DEMAND AND UPON THE EXPRESS CONDITION THAT IT WILL NOT BE USED IN ANY WAY DETRIMENTAL TO THE INTEREST OF EATON CORPORATION

DRAWN IN THIRD ANGLE PROJECTION

TOLERANCE UNLESS SPEC'D
 .XX ± .02
 .XXX ± .05
 $\leq \pm 1^\circ$
 ALL DIMENSIONS IN INCHES

CAGE NUMBER: 81824	ORIG EPR: EPR123513
DESIGN MGMT SITE: Worcester	DES. BY: MTroio 03/19/12
MATERIAL:	DRWN. BY: MTroio 03/19/12
MATERIAL FINISH:	PROD. GRP: 50 - Paramount
SPEC #:	COLOR: -
	CRS GA: N/A
	OTHER: -

EATON	
CONFIG - 42U X 30W X 48D PARAMOUNT W/ RACK HYGIENE	
SHEET: 1 OF 8	REV DATE: 03/19/12
D PMT423048H	REV -



ASSEMBLY WIRING NOTE:

- GROUND ALL DOORS, RAILS, TOP AND DIVIDER PANELS. USE GROUNDING LANYARDS FROM KIT P/N GRNDPMT. USE STANDARD W/L GROUND POINTS FOR ATTACHMENT AREAS.

ITEM	TYPE	DOCUMENT #	REV	DESCRIPTION	QTY
11	SA	GRNDPMT	-	GROUND KIT - PARAMOUNT	1
10	MA	PMTVP4230	-	VERTICAL BLANKING PANELS	1
9	MA	PMTNWP3048	-	ASSEMBLY - TOP PANEL, 30W X 48D	1
8	MA	PMTJVD4248S	-	DIVIDER PANEL ASY - 42U X 48D	1
7	MA	PMTFRM423045	-	WLD - FRAME, 42U X 30W X 45D	1
6	MA	JWOVLGROM	A	GROMMET - OVAL 1.5WX4L	8
5	MA	JRR42CMSQ	-	RM REDUCER RAILS - 42U,	1
4	MA	JFTK30	1	FRAME TRIM KIT - 30"W	1
3	MA	JDHF8130L	-	DOOR, HIGH FLOW	1
2	MA	JDDHF8130	-	ASSEMBLY - SPLIT DOOR, HIGH FLOW	1
1	MA	CMDRNRO32U	-	D-RING KIT, 2U	1

THIS DRAWING CONTAINS PROPRIETARY INFORMATION AND IS LOANED SUBJECT TO RETURN UPON DEMAND AND UPON THE EXPRESS CONDITION THAT IT WILL NOT BE USED IN ANY WAY DETRIMENTAL TO THE INTEREST OF EATON CORPORATION

DRAWN IN THIRD ANGLE PROJECTION

TOLERANCE UNLESS SPEC'D
 .XX ± .02
 .XXX ± .005
 < ± 1"
 ALL DIMENSIONS IN INCHES

CAGE NUMBER: 81824
 ORIG EPR: EPRI23513
 DES. BY: MTroio 03/19/12
 DRWN. BY: MTroio 03/19/12
 DESIGN MGMT SITE: Worcester
 PROD. GRP: 50 - Paramount
 COLOR: -
 CRS GA: N/A
 OTHER: -
 MATERIAL: -
 MATERIAL FINISH: -
 SPEC #: -

EATON

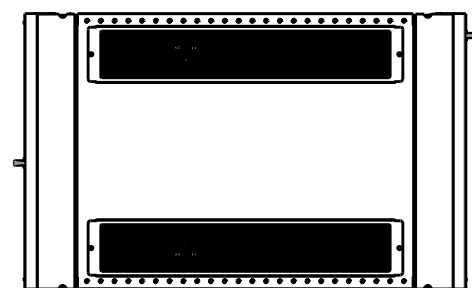
CONFIG - 42U X 30W X 48D
PARAMOUNT W/ RACK HYGIENE

SHEET: 2 OF 8
REV DATE: 03/19/12

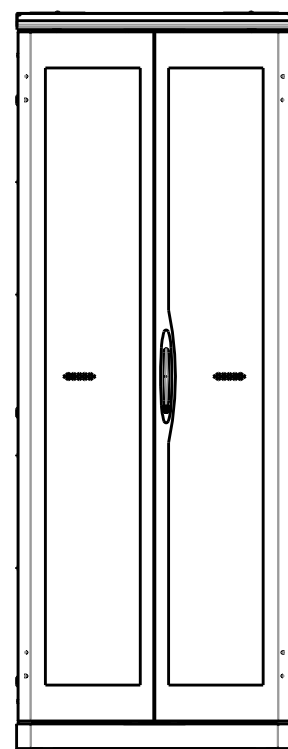
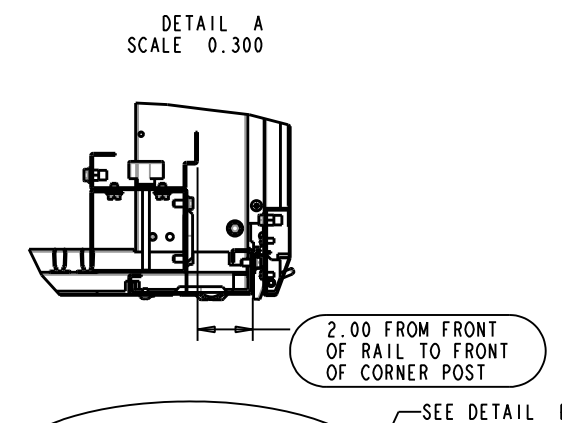
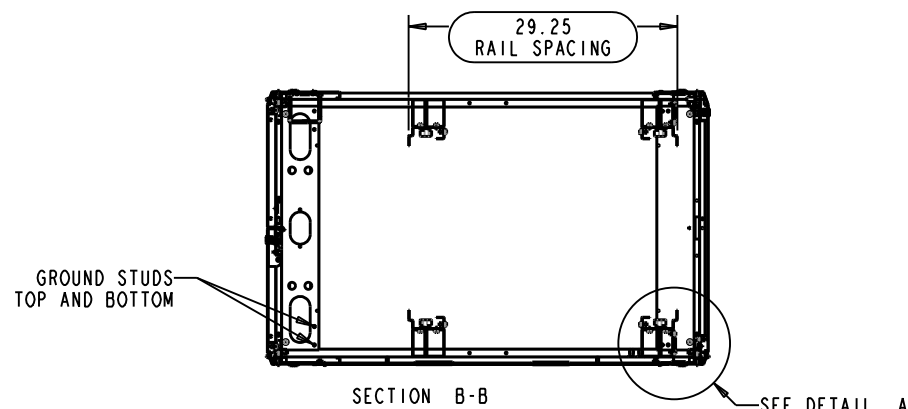
D PMT423048H REV -

REV	REV. DATE	REV'D BY	CURRENT REVISION DESCRIPTION	ECN OR EPR NUMBER
-	03/19/12	MTroio	PRODUCTION RELEASE	EPRI23513

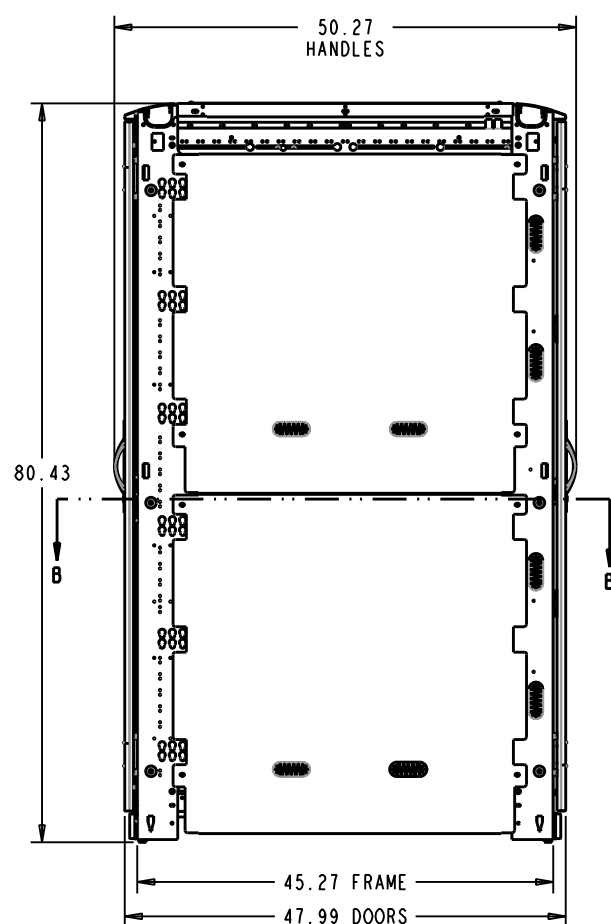
RELEASE STATUS
Production



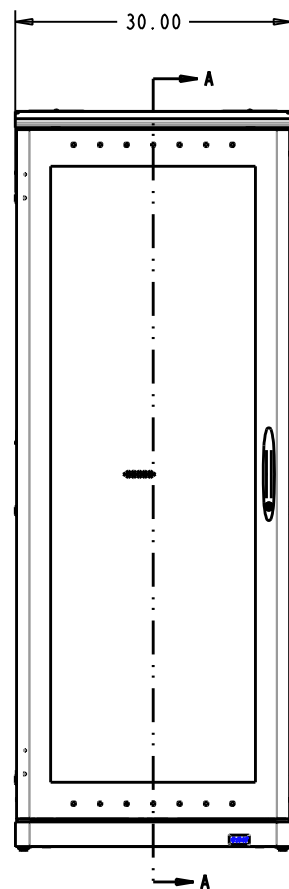
TOP



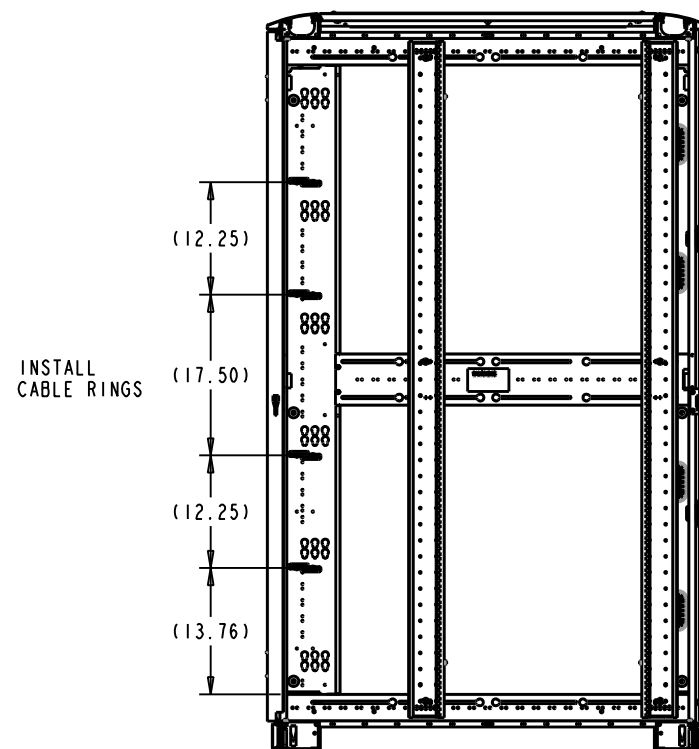
REAR



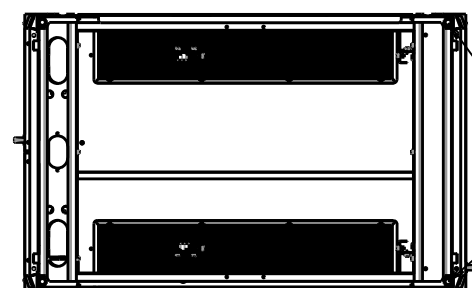
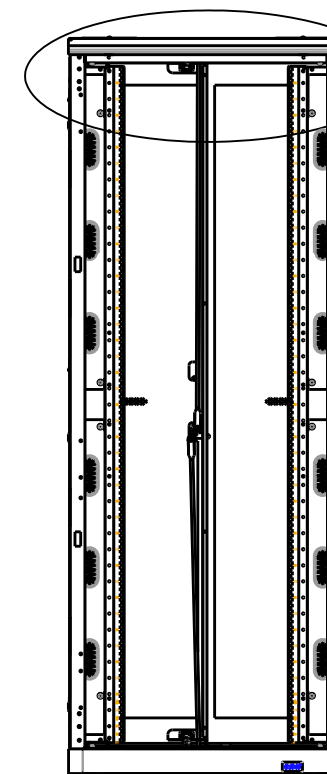
LEFT SIDE



FRONT

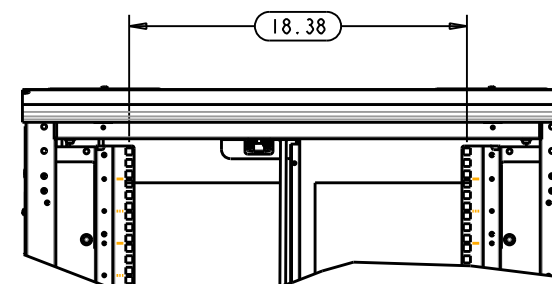


SECTION A-A



BOTTOM

LEVELING FEET



THIS DRAWING CONTAINS PROPRIETARY INFORMATION AND IS LOANED SUBJECT TO RETURN UPON DEMAND AND UPON THE EXPRESS CONDITION THAT IT WILL NOT BE USED IN ANY WAY DETRIMENTAL TO THE INTEREST OF EATON CORPORATION	CAGE NUMBER:	81824	ORIG EPR: EPR123513							
	DESIGN MGMT SITE:	Worcester	DES. BY: MTroio 03/19/12							
	MATERIAL:		DRWN. BY: MTroio 03/19/12							
	MATERIAL FINISH:		PROD. GRP: 50 - Paramount							
DRAWN IN THIRD ANGLE PROJECTION	TOLERANCE UNLESS SPEC'D .XX ± .02 .XXX ± .005 ALL DIMENSIONS IN INCHES		COLOR: -	CONFIG - 42U X 30W X 48D PARAMOUNT W/ RACK HYGIENE						
REV	REV. DATE	REV'D BY	CURRENT REVISION DESCRIPTION	ECN OR EPR NUMBER	SHEET: 3 OF 8	REV DATE: 03/19/12	D	PMT423048H	REV	-

-	03/19/12	MTroio	PRODUCTION RELEASE	EPR123513
REV	REV. DATE	REV'D BY	CURRENT REVISION DESCRIPTION	ECN OR EPR NUMBER