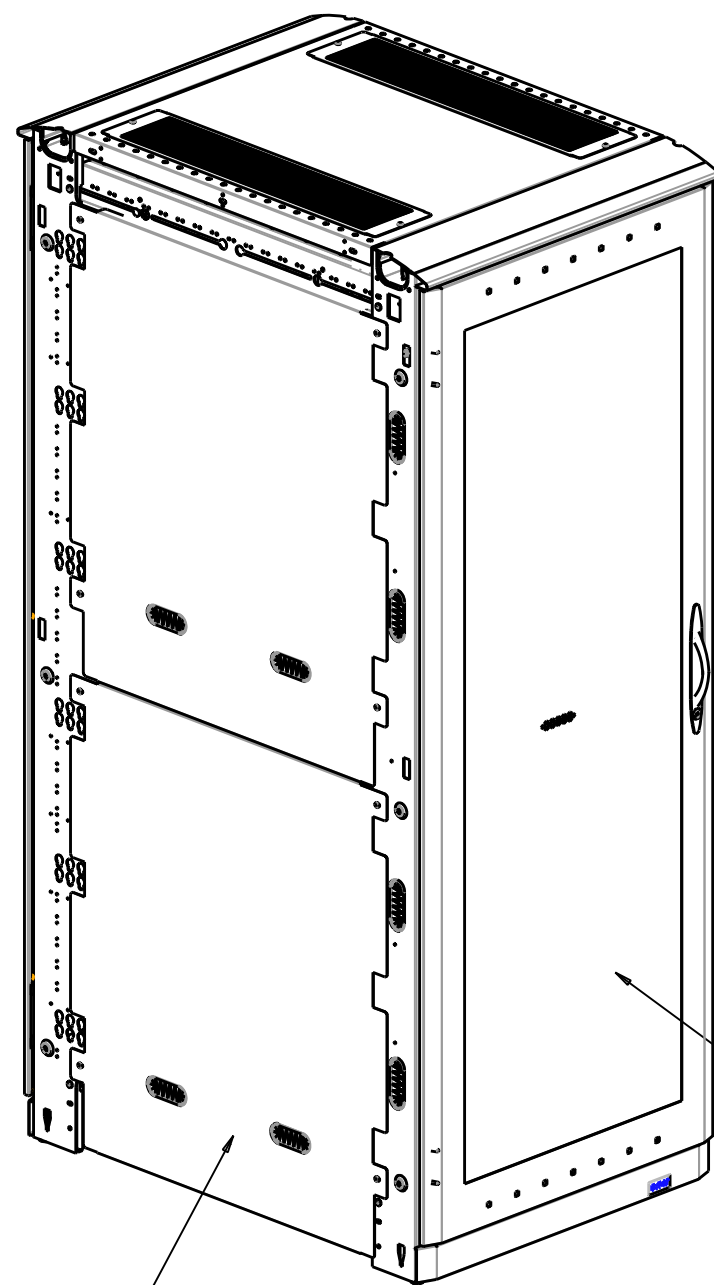


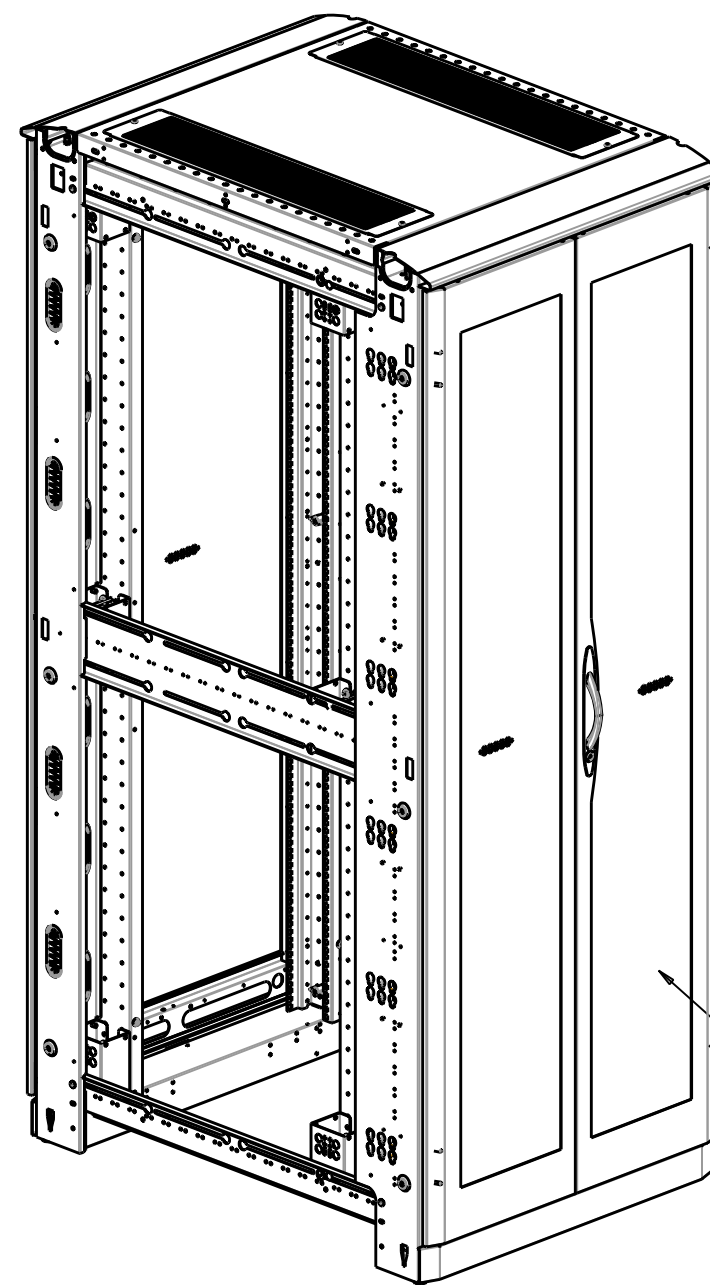
RELEASE STATUS  
Production



DIVIDER PANEL

FRONT DOOR  
HIGH FLOW

FRONT ISO

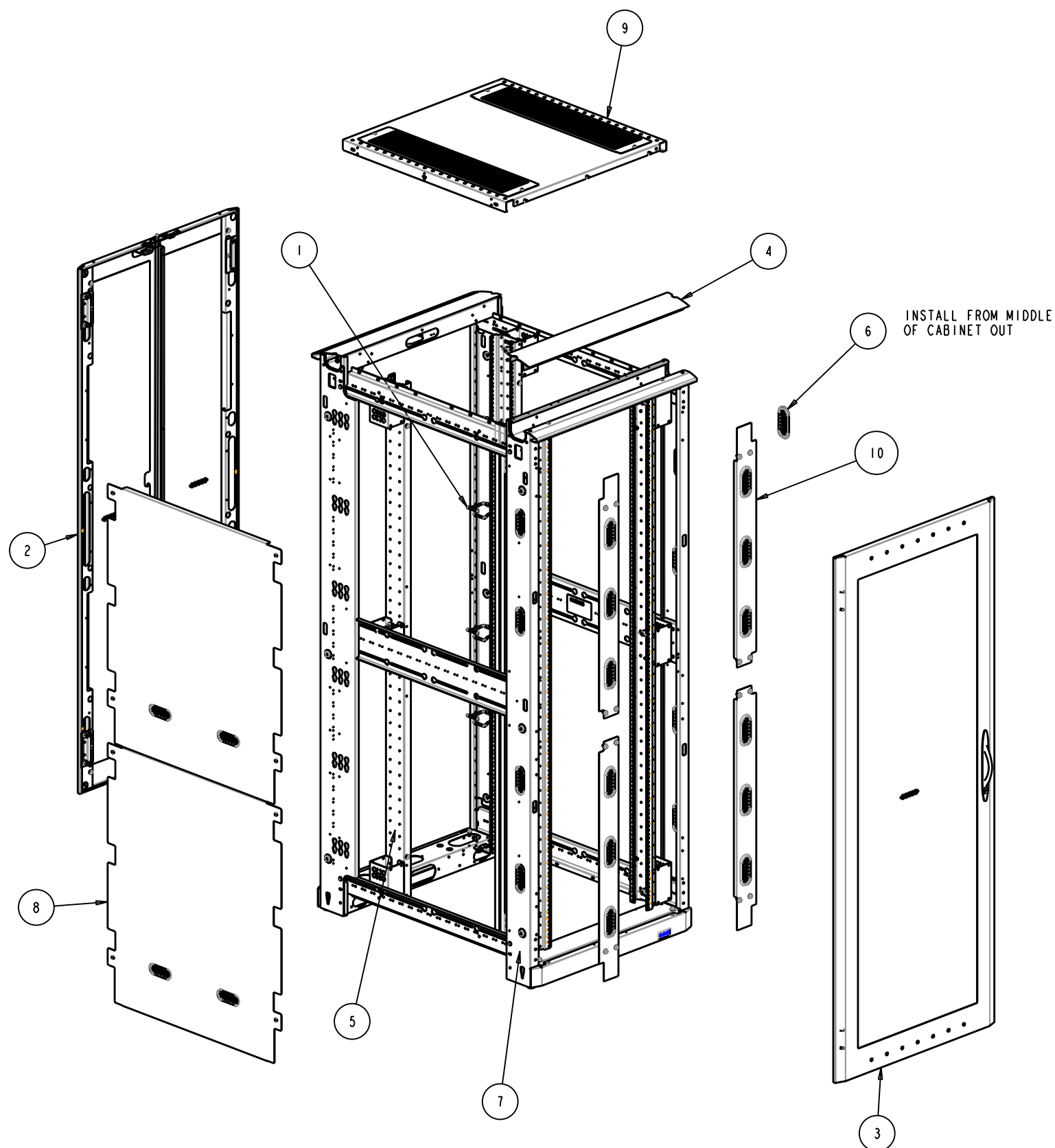


REAR DOOR  
HIGH FLOW

REAR ISO

SHIPPING WEIGHT: 328 LBS

<small>THIS DRAWING CONTAINS PROPRIETARY INFORMATION AND IS LOANED SUBJECT TO RETURN UPON DEMAND AND UPON THE EXPRESS CONDITION THAT IT WILL NOT BE USED IN ANY WAY DETRIMENTAL TO THE INTEREST OF EATON CORPORATION</small>	CAGE NUMBER:	ORIG EPR: EPRI23513	
	81824	DES. BY MTroio 03/19/12	
	DESIGN MGMT SITE:	PROD. GRP 50 - Paramount	DRWN. BY MTroio 03/19/12
	Worcester	COLOR: -	CRS GA: N/A
<small>DRAWN IN THIRD ANGLE PROJECTION</small> 	<small>TOLERANCE UNLESS SPEC'D</small> .XX ± .02 .XXX ± .005 <small>ALL DIMENSIONS IN INCHES</small>	OTHER: -	CONFIG - 42U X 30W X 42D PARAMOUNT W/ RACK HYGIENE
- 03/19/12 MTroio PRODUCTION RELEASE REV REV. DATE REV'D BY CURRENT REVISION DESCRIPTION	EPRI23513 ECN OR EPR NUMBER	MATERIAL: MATERIAL FINISH: SPEC #	SHEET: 1 OF 8 D PMT423042H REV - REV DATE: 03/19/12



ASSEMBLY WIRING NOTE:

- GROUND ALL DOORS, RAILS, TOP AND DIVIDER PANELS. USE GROUNDING LANYARDS FROM KIT P/N GRNDPMT. USE STANDARD W/L GROUND POINTS FOR ATTACHMENT AREAS.

ITEM	TYPE	DOCUMENT #	REV	DESCRIPTION	QTY
11	SA	GRNDPMT	-	GROUND KIT - PARAMOUNT	1
10	MA	PMTVP4230	-	VERTICAL BLANKING PANELS	1
9	MA	PMTNWP3042	-	ASSEMBLY - TOP PANEL, 30W X 42D	1
8	MA	PMTJVD4242S	-	DIVIDER PANEL ASY - 42U X 42D	1
7	MA	PMTFRM423040	-	WLD - FRAME, 42U X 30W X 40D	1
6	MA	JWOVLGROM	A	GROMMET - OVAL 1.5WX4L	8
5	MA	JRR42CMSQ	-	RM REDUCER RAILS - 42U,	1
4	MA	JFTK30	1	FRAME TRIM KIT - 30"W	1
3	MA	JDHF8130L	-	DOOR, HIGH FLOW	1
2	MA	JDDHF8130	-	ASSEMBLY - SPLIT DOOR, HIGH FLOW	1
1	MA	CMDRNRO32U	-	D-RING KIT, 2U	1

THIS DRAWING CONTAINS PROPRIETARY INFORMATION AND IS LOANED SUBJECT TO RETURN UPON DEMAND AND UPON THE EXPRESS CONDITION THAT IT WILL NOT BE USED IN ANY WAY DETRIMENTAL TO THE INTEREST OF EATON CORPORATION

DRAWN IN THIRD ANGLE PROJECTION

TOLERANCE UNLESS SPEC'D  
 .XX ± .02  
 .XXX ± .005  
 < ± 1"  
 ALL DIMENSIONS IN INCHES

CAGE NUMBER:	81824	ORIG EPR:	EPR123513
DES. BY:	MTroio	DATE:	03/19/12
DRWN. BY:	MTroio	DATE:	03/19/12
DESIGN MGMT SITE:	Worcester	PROD. GRP:	50 - Paramount
		COLOR:	-
		CRS GA:	N/A
		OTHER:	-
MATERIAL:			
MATERIAL FINISH:			
SPEC #:			

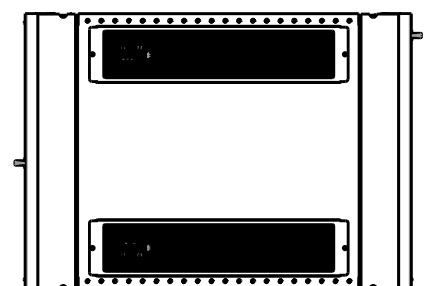


CONFIG - 42U X 30W X 42D  
PARAMOUNT W/ RACK HYGIENE

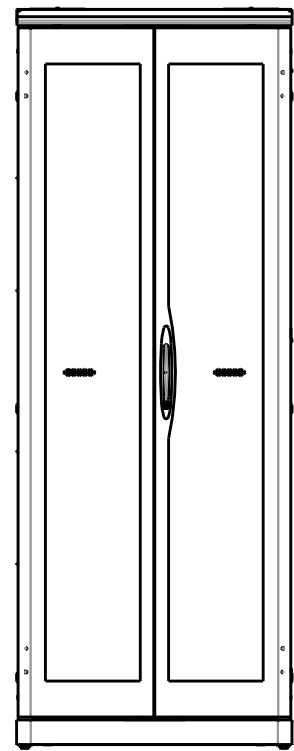
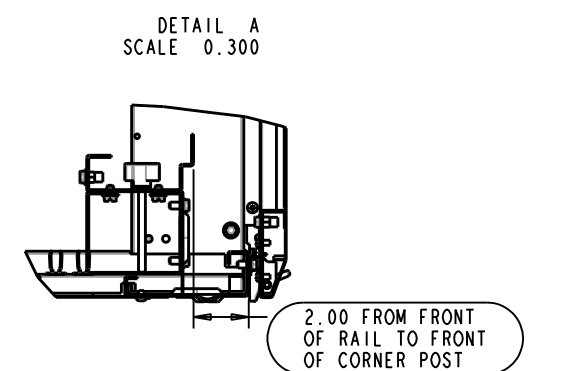
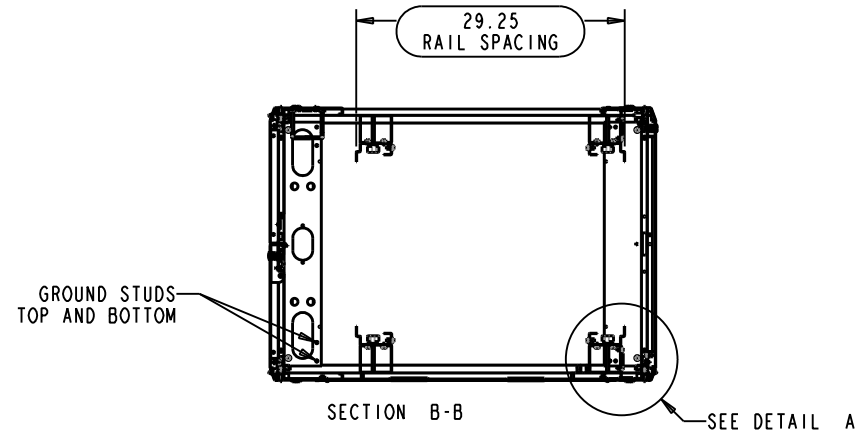
SHEET:	2 OF 8	REV DATE:	03/19/12
D	PMT423042H	REV	-

REV	REV. DATE	REV'D BY	CURRENT REVISION DESCRIPTION	ECN OR EPR NUMBER
-	03/19/12	MTroio	PRODUCTION RELEASE	EPR123513

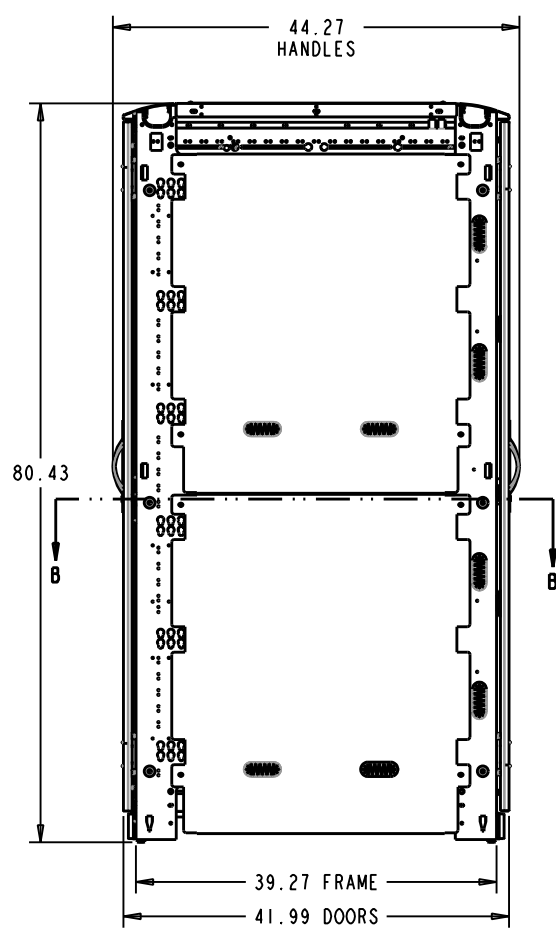
RELEASE STATUS  
Production



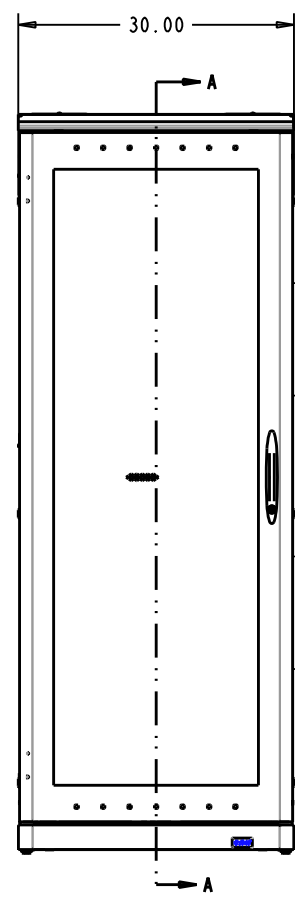
TOP



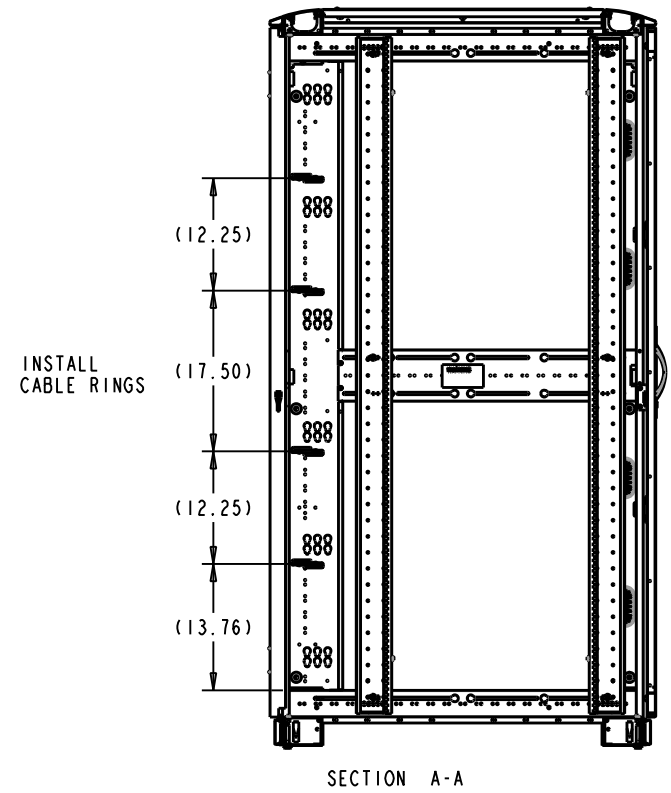
REAR



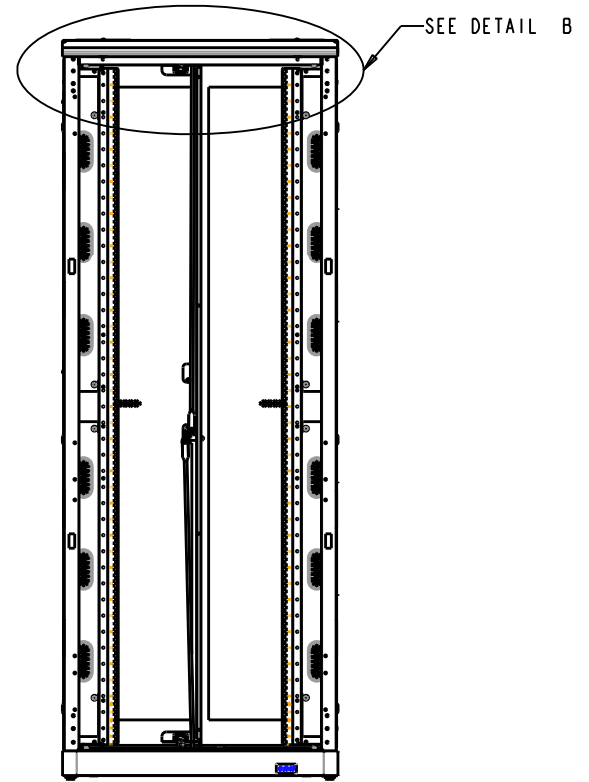
LEFT SIDE



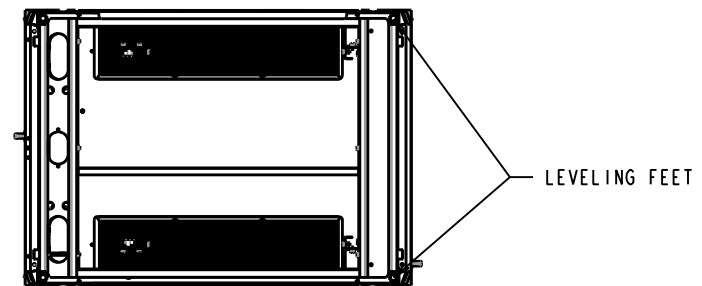
FRONT



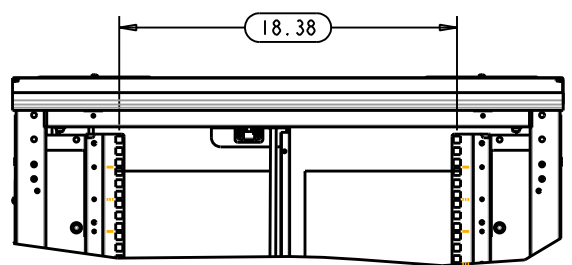
SECTION A-A



FRONT DOOR NOT SHOWN



BOTTOM



DETAIL B  
SCALE 0.200

<small>THIS DRAWING CONTAINS PROPRIETARY INFORMATION AND IS LOANED SUBJECT TO RETURN UPON DEMAND AND UPON THE EXPRESS CONDITION THAT IT WILL NOT BE USED IN ANY WAY DETRIMENTAL TO THE INTEREST OF EATON CORPORATION</small>	CAGE NUMBER:	81824	ORIG EPR:	EPR123513		
	DESIGN MGMT SITE:	Worcester	DES. BY:	MTroio		03/19/12
	MATERIAL:		DRWN. BY:	MTroio		03/19/12
	MATERIAL FINISH:		PROD. GRP:	50 - Paramount		
<small>DRAWN IN THIRD ANGLE PROJECTION</small> 	<small>TOLERANCE UNLESS SPEC'D</small> .XX ± .02 .XXX ± .005 < ± 1° <small>ALL DIMENSIONS IN INCHES</small>		COLOR: - CRS GA: N/A OTHER: -		CONFIG - 42U X 30W X 42D PARAMOUNT W/ RACK HYGIENE	
REV	REV. DATE	REV'D BY	CURRENT REVISION DESCRIPTION	ECN OR EPR NUMBER	SHEET: 3 OF 8 D PMT423042H REV -	

-	03/19/12	MTroio	PRODUCTION RELEASE	EPR123513
REV	REV. DATE	REV'D BY	CURRENT REVISION DESCRIPTION	ECN OR EPR NUMBER