

SHIPPING WEIGHT: 297 LBS

REV	REV. DATE	REV'D BY	CURRENT REVISION DESCRIPTION	ECN OR EPR NUMBER
-	03/19/12	MTroio	PRODUCTION RELEASE	EPR123513

THIS DRAWING CONTAINS PROPRIETARY INFORMATION AND IS LOANED SUBJECT TO RETURN UPON DEMAND AND UPON THE EXPRESS CONDITION THAT IT WILL NOT BE USED IN ANY WAY DETRIMENTAL TO THE INTEREST OF EATON CORPORATION

DRAWN IN THIRD ANGLE PROJECTION

TOLERANCE UNLESS SPEC'D
.XX ± .02
.XXX ± .005
< ± .1"

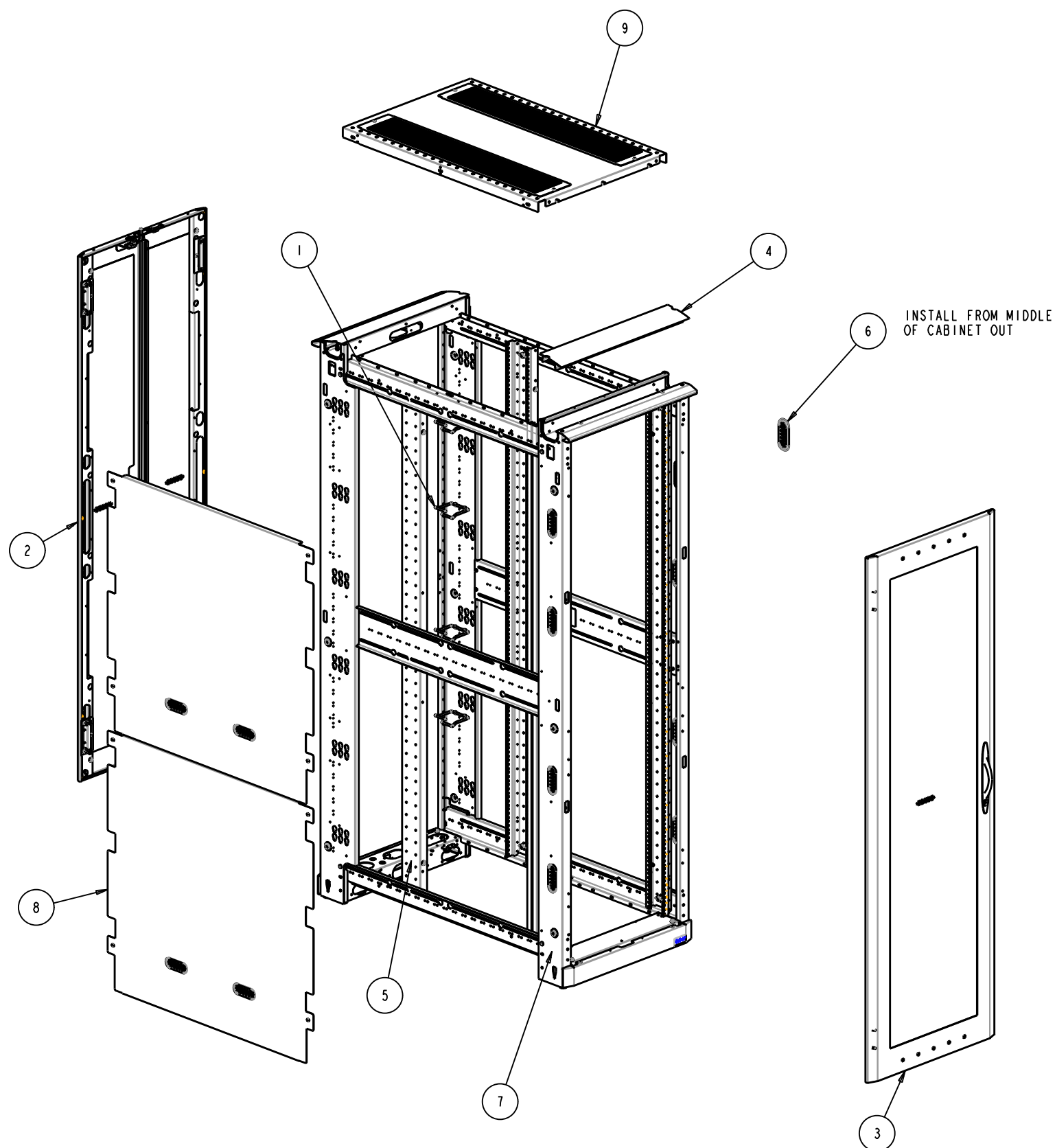
ALL DIMENSIONS IN INCHES

CAGE NUMBER: 81824	ORIG EPR: EPR123513
DESIGN MGMT SITE: Worcester	DES. BY: MTroio 03/19/12
MATERIAL:	DRWN. BY: MTroio 03/19/12
MATERIAL FINISH:	PROD. GRP: 50 - Paramount
SPEC #:	COLOR: -
	CRS GA: N/A
	OTHER: -



CONFIG - 42U X 24W X 48D
PARAMOUNT W/ RACK HYGIENE

SHEET: 1 OF 7	REV DATE: 03/19/12
D	PMT422448H
REV	-



ASSEMBLY WIRING NOTE:

- GROUND ALL DOORS, RAILS, TOP AND DIVIDER PANELS. USE GROUNDING LANYARDS FROM KIT P/N GRNDPMT. USE STANDARD W/L GROUND POINTS FOR ATTACHMENT AREAS.

ITEM	TYPE	DOCUMENT #	REV	DESCRIPTION	QTY
10	SA	GRNDPMT	-	GROUND KIT - PARAMOUNT	1
9	MA	PMTNWP2448	-	ASSEMBLY - TOP PANEL, 24W X 48D	1
8	MA	PMTJVD4248S	-	DIVIDER PANEL ASY - 42U X 48D	1
7	MA	PMTFRM422445	-	WLD - FRAME, 42U X 24W X 45D	1
6	MA	JWOVLGROM	A	GROMMET - OVAL 1.5WX4L	8
5	MA	JRM4200	-	RACK MOUNT RAILS - 42U	1
4	MA	JFTK24.....	1	FRAME TRIM KIT - 24"W	1
3	MA	JDFH8124L	-	DOOR, HIGH FLOW	1
2	MA	JDDHF8124	-	ASSEMBLY - SPLIT DOOR, HIGH FLOW	1
1	MA	CMDRN032U..	-	D-RING KIT, 2U	1

THIS DRAWING CONTAINS PROPRIETARY INFORMATION AND IS LOANED SUBJECT TO RETURN UPON DEMAND AND UPON THE EXPRESS CONDITION THAT IT WILL NOT BE USED IN ANY WAY DETRIMENTAL TO THE INTEREST OF EATON CORPORATION

DRAWN IN THIRD ANGLE PROJECTION

TOLERANCE UNLESS SPEC'D
 .XX ± .02
 .XXX ± .005
 < ± 1°
 ALL DIMENSIONS IN INCHES

CAGE NUMBER:	81824	ORIG EPR:	EPR123513
DES. BY:	MTroio	03/19/12	
DRWN. BY:	MTroio	03/19/12	
DESIGN MGMT SITE:	Worcester	PROD. GRP:	50 - Paramount
		COLOR:	-
MATERIAL:		CRS GA:	N/A
MATERIAL FINISH:		OTHER:	-
SPEC #:			



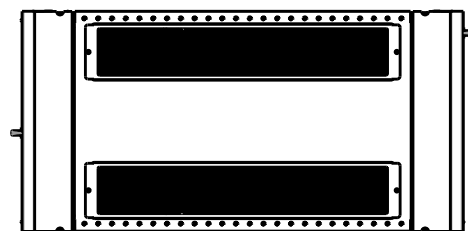
CONFIG - 42U X 24W X 48D
PARAMOUNT W/ RACK HYGIENE

SHEET: 2 OF 7 REV DATE: 03/19/12

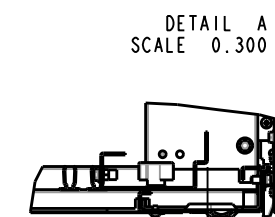
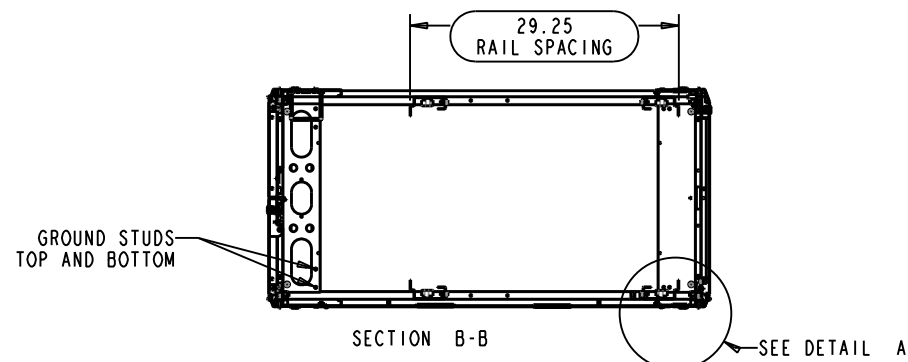
D PMT422448H REV -

REV	REV. DATE	REV'D BY	CURRENT REVISION DESCRIPTION	ECN OR EPR NUMBER
-	03/19/12	MTroio	PRODUCTION RELEASE	EPR123513

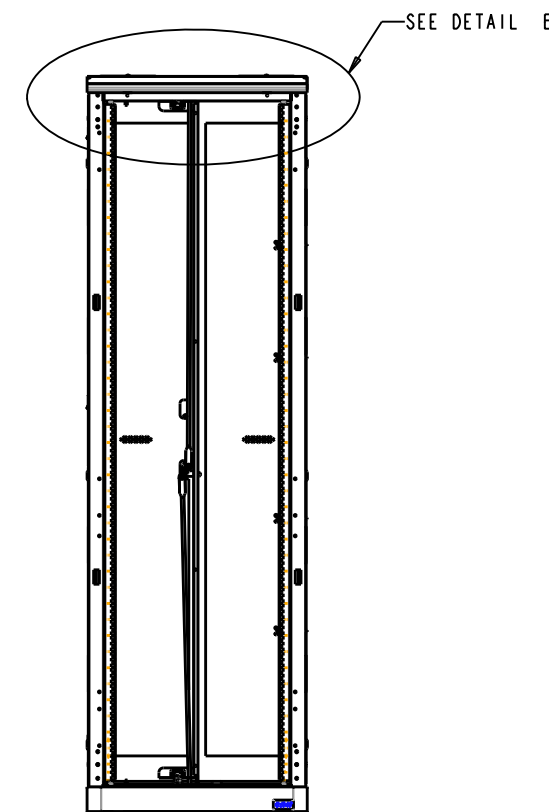
RELEASE STATUS
Production



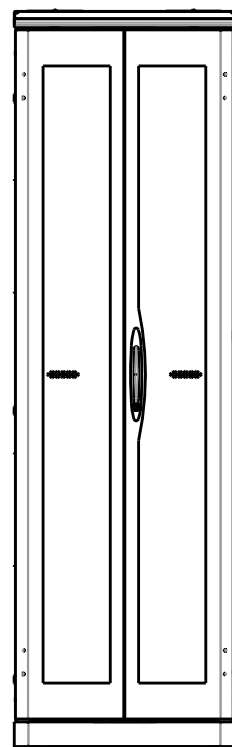
TOP



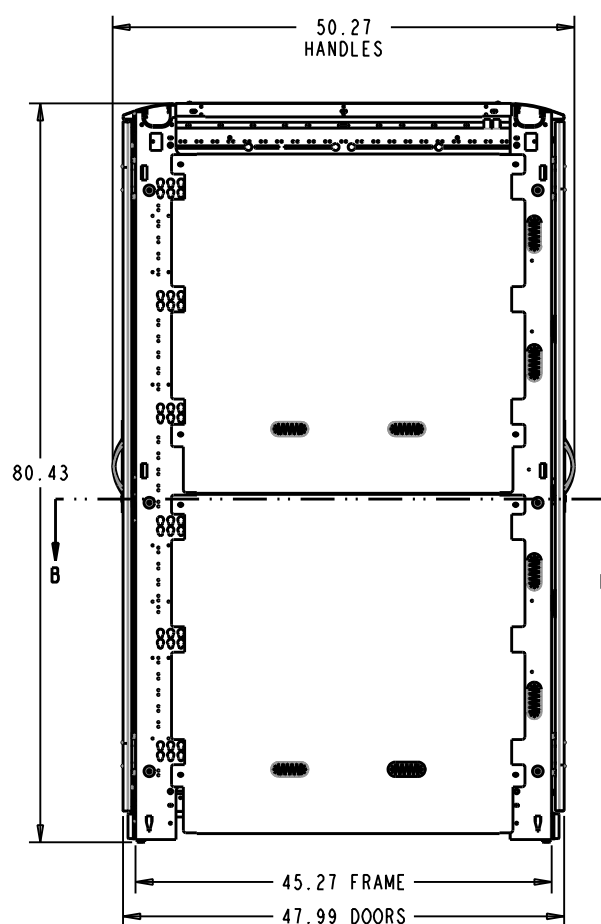
2.00 FROM FRONT OF RAIL TO FRONT OF CORNER POST



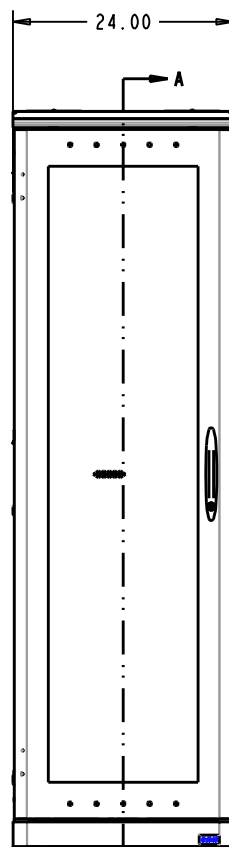
SEE DETAIL B



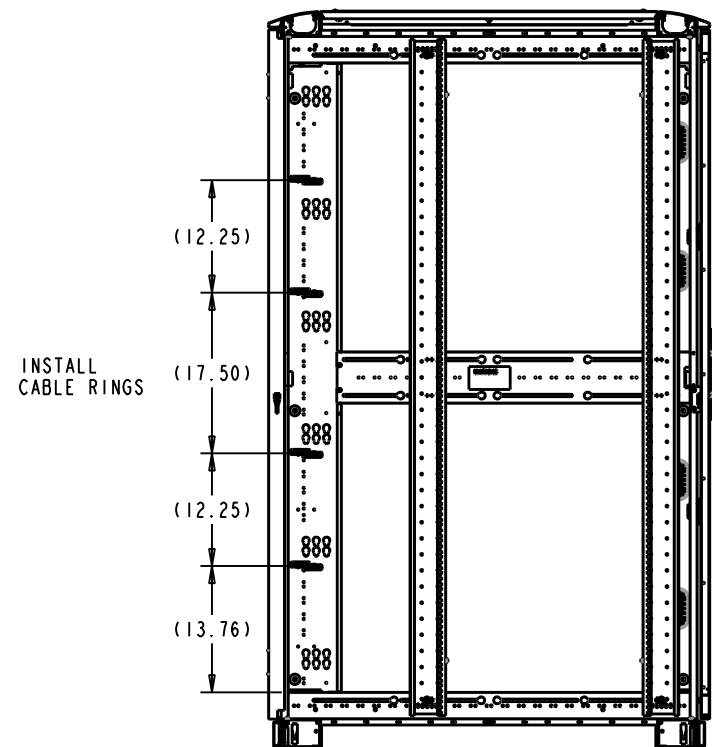
REAR



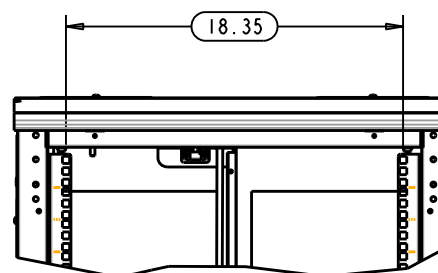
LEFT SIDE



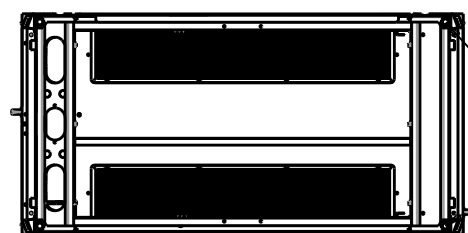
FRONT



SECTION A-A



DETAIL B
SCALE 0.200



BOTTOM

LEVELING FEET

THIS DRAWING CONTAINS PROPRIETARY INFORMATION AND IS LOANED SUBJECT TO RETURN UPON DEMAND AND UPON THE EXPRESS CONDITION THAT IT WILL NOT BE USED IN ANY WAY DETRIMENTAL TO THE INTEREST OF EATON CORPORATION DRAWN IN THIRD ANGLE PROJECTION TOLERANCE UNLESS SPEC'D .XX ± .02 .XXX ± .005 < ± 1° ALL DIMENSIONS IN INCHES	CAGE NUMBER:	ORIG EPR: EPR123513	
	81824	DES. BY MTroio 03/19/12	
	DESIGN MGMT SITE: Worcester	DRWN. BY MTroio 03/19/12	
	MATERIAL:	PROD. GRP 50 - Paramount	
	COLOR: -	CRS GA: N/A	CONFIG - 42U X 24W X 48D PARAMOUNT W/ RACK HYGIENE
	MATERIAL FINISH: -	OTHER: -	SHEET: 3 OF 7
	SPEC #:		REV DATE: 03/19/12
			D PMT422448H REV -

REV	REV. DATE	REV'D BY	CURRENT REVISION DESCRIPTION	ECN OR EPR NUMBER
-	03/19/12	MTroio	PRODUCTION RELEASE	EPR123513