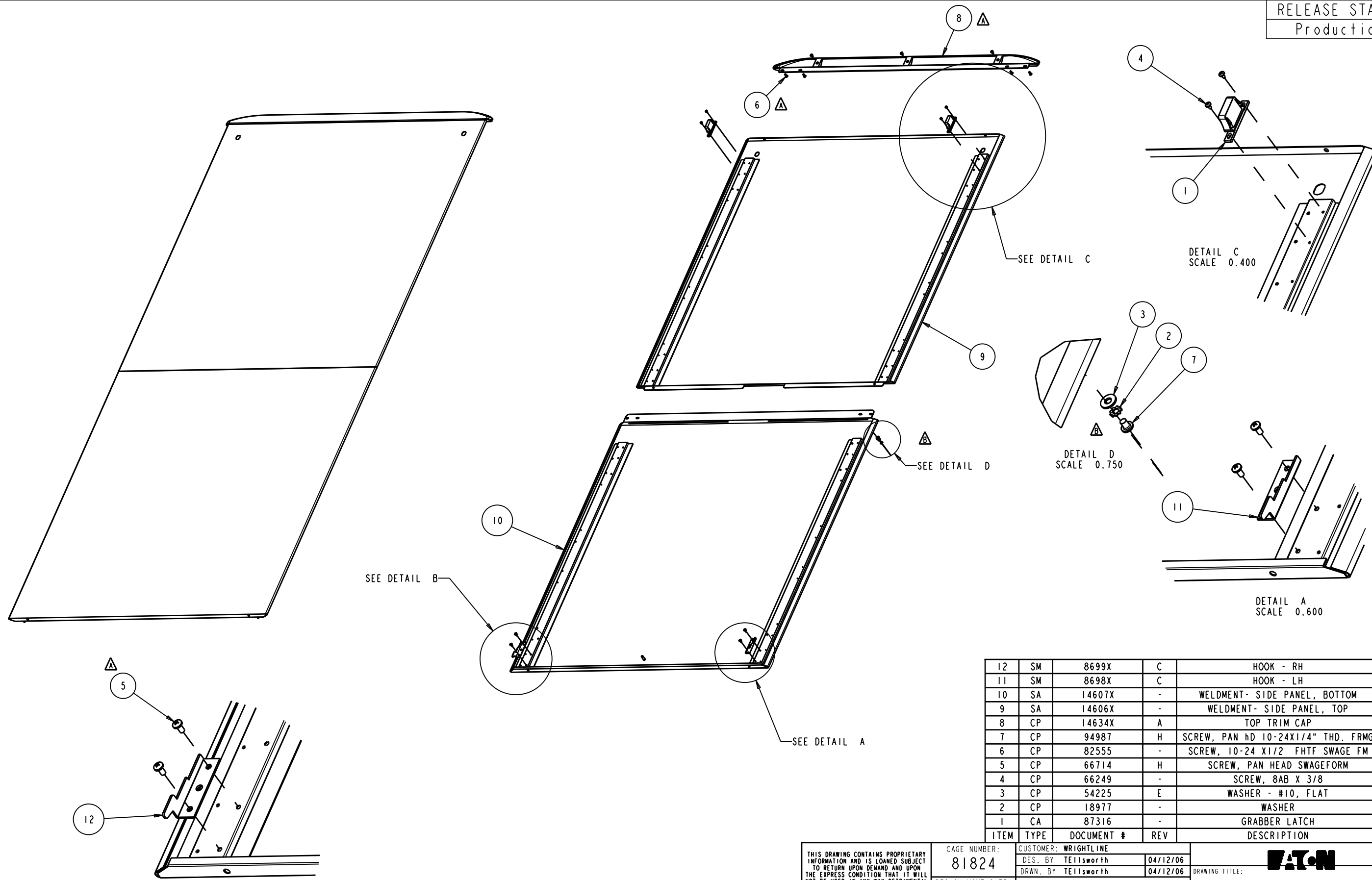


RELEASE STATUS
Production



12	SM	8699X	C	HOOK - RH	1
11	SM	8698X	C	HOOK - LH	1
10	SA	14607X	-	WELDMENT- SIDE PANEL, BOTTOM	1
9	SA	14606X	-	WELDMENT- SIDE PANEL, TOP	1
8	CP	14634X	A	TOP TRIM CAP	1
7	CP	94987	H	SCREW, PAN hD 10-24X1/4" THD. FRMG	2
6	CP	82555	-	SCREW, 10-24 X1/2 FHTF SWAGE FM	4
5	CP	66714	H	SCREW, PAN HEAD SWAGEFORM	7
4	CP	66249	-	SCREW, 8AB X 3/8	4
3	CP	54225	E	WASHER - #10, FLAT	2
2	CP	18977	-	WASHER	2
1	CA	87316	-	GRABBER LATCH	2
ITEM	TYPE	DOCUMENT #	REV	DESCRIPTION	QTY

<small>THIS DRAWING CONTAINS PROPRIETARY INFORMATION AND IS LOANED SUBJECT TO RETURN UPON DEMAND AND UPON THE EXPRESS CONDITION THAT IT WILL NOT BE USED IN ANY WAY DETRIMENTAL TO THE INTEREST OF WRIGHT LINE</small>	CAGE NUMBER:	81824	CUSTOMER: WRIGHTLINE
	DESIGN MGMT SITE:	Worcester	DES. BY: Tellsworth 04/12/06
	DRAWN IN THIRD ANGLE PROJECTION	<input type="checkbox"/> <input checked="" type="checkbox"/>	DRWN. BY: Tellsworth 04/12/06
	TOLERANCE UNLESS SPEC'D .XX ± .02 .XXX ± .005 ∠ ± 1°		PROD. GRP: Multiple Association
ALL DIMENSIONS IN INCHES		MATERIAL:	COLOR:
		MATERIAL FINISH:	CRS GA: N/A
		WRIGHTLINE SPEC #	OTHER: NOTED
			POWDER COAT - VARIABLE

DRAWING TITLE: **WATON**
SIDE PANEL, SPLIT
PARAMOUNT 96" X 45" D

SHEET: 1 OF 1 REV DATE: 03/23/10

D JSPS9645 REV B

REV	REV. DATE	REV'D BY	CURRENT REVISION DESCRIPTION	ECR NUMBER
B	03/23/10	DLucia	ADDED SCREW 94987 (2X), WASHER 54225 (2X) & LCK WASHER 18977 (2X)	777020061

DETAIL B
SCALE 0.600

DETAIL C
SCALE 0.400

DETAIL D
SCALE 0.750

DETAIL A
SCALE 0.600