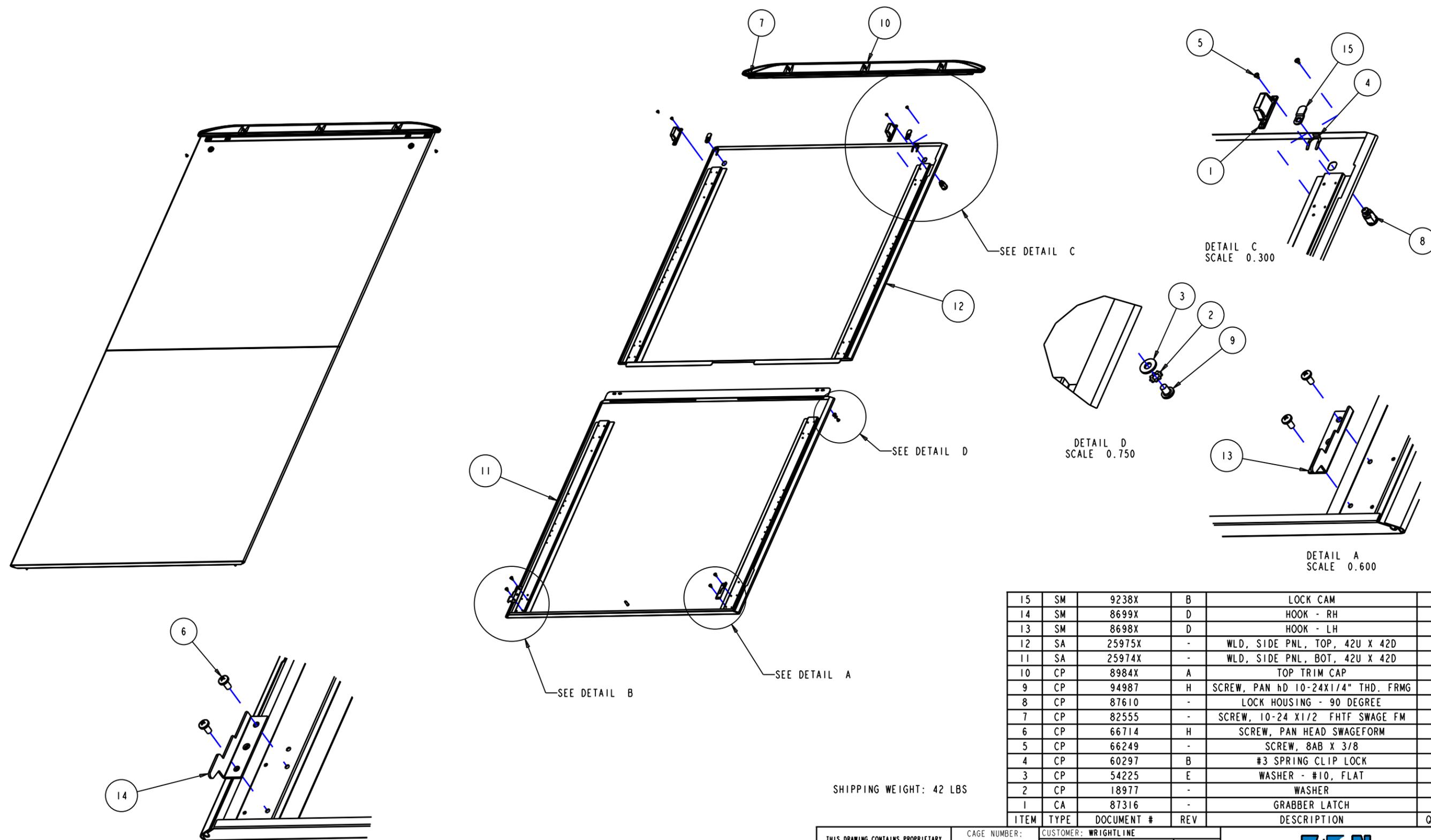


RELEASE STATUS
Production



SHIPPING WEIGHT: 42 LBS

15	SM	9238X	B	LOCK CAM	2
14	SM	8699X	D	HOOK - RH	1
13	SM	8698X	D	HOOK - LH	1
12	SA	25975X	-	WLD, SIDE PNL, TOP, 42U X 42D	1
11	SA	25974X	-	WLD, SIDE PNL, BOT, 42U X 42D	1
10	CP	8984X	A	TOP TRIM CAP	1
9	CP	94987	H	SCREW, PAN hD 10-24X1/4" THD. FRMG	2
8	CP	87610	-	LOCK HOUSING - 90 DEGREE	2
7	CP	82555	-	SCREW, 10-24 X1/2 FHTF SWAGE FM	4
6	CP	66714	H	SCREW, PAN HEAD SWAGEFORM	7
5	CP	66249	-	SCREW, 8AB X 3/8	4
4	CP	60297	B	#3 SPRING CLIP LOCK	2
3	CP	54225	E	WASHER - #10, FLAT	2
2	CP	18977	-	WASHER	2
1	CA	87316	-	GRABBER LATCH	2
ITEM	TYPE	DOCUMENT #	REV	DESCRIPTION	QTY

THIS DRAWING CONTAINS PROPRIETARY INFORMATION AND IS LOANED SUBJECT TO RETURN UPON DEMAND AND UPON THE EXPRESS CONDITION THAT IT WILL NOT BE USED IN ANY WAY DETRIMENTAL TO THE INTEREST OF EATON CORPORATION

CAGE NUMBER:	81824	CUSTOMER:	WRIGHTLINE
DESIGN MGMT SITE:	Worcester	DES. BY:	MTroio 03/16/12
		DRWN. BY:	MTroio 03/16/12
		PROD. GRP:	Multiple Association
		COLOR:	-
		CRS GA:	N/A
		OTHER:	NOTED
		MATERIAL FINISH:	Powder Coat - Variable
		SPEC #:	



SIDE PNL, SPLIT, 42U X 42D
PARAMOUNT 81H" X 40" D

SHEET: 1 OF 1 REV DATE: 03/16/12

-	03/16/12	MTroio	PRODUCTION RELEASE	EPR123513
REV	REV. DATE	REV'D BY	CURRENT REVISION DESCRIPTION	ECN OR EPR NUMBER

DRAWN IN THIRD ANGLE PROJECTION
TOLERANCE UNLESS SPEC'D
XX ± .02
.XXX ± .005
< ± .1"
ALL DIMENSIONS IN INCHES