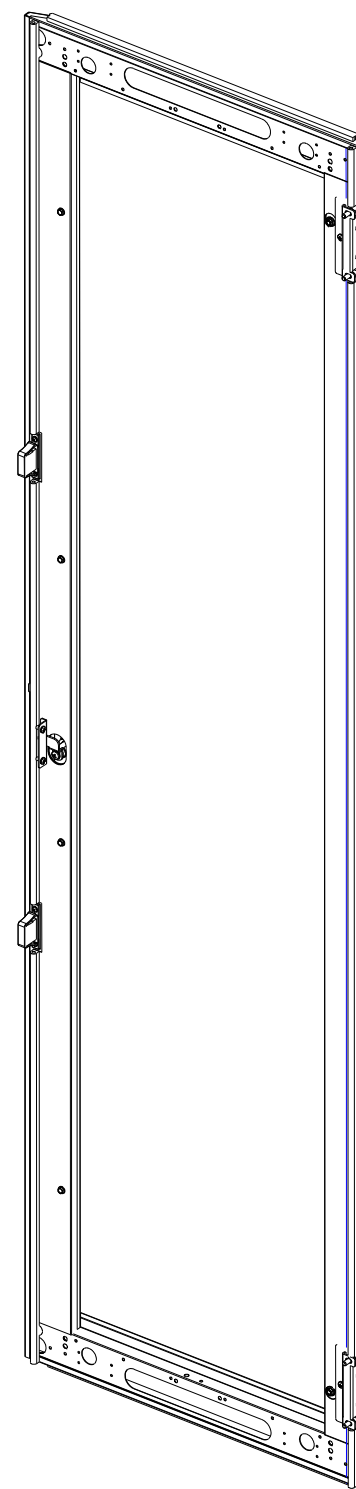
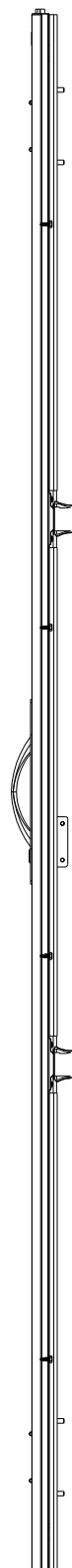
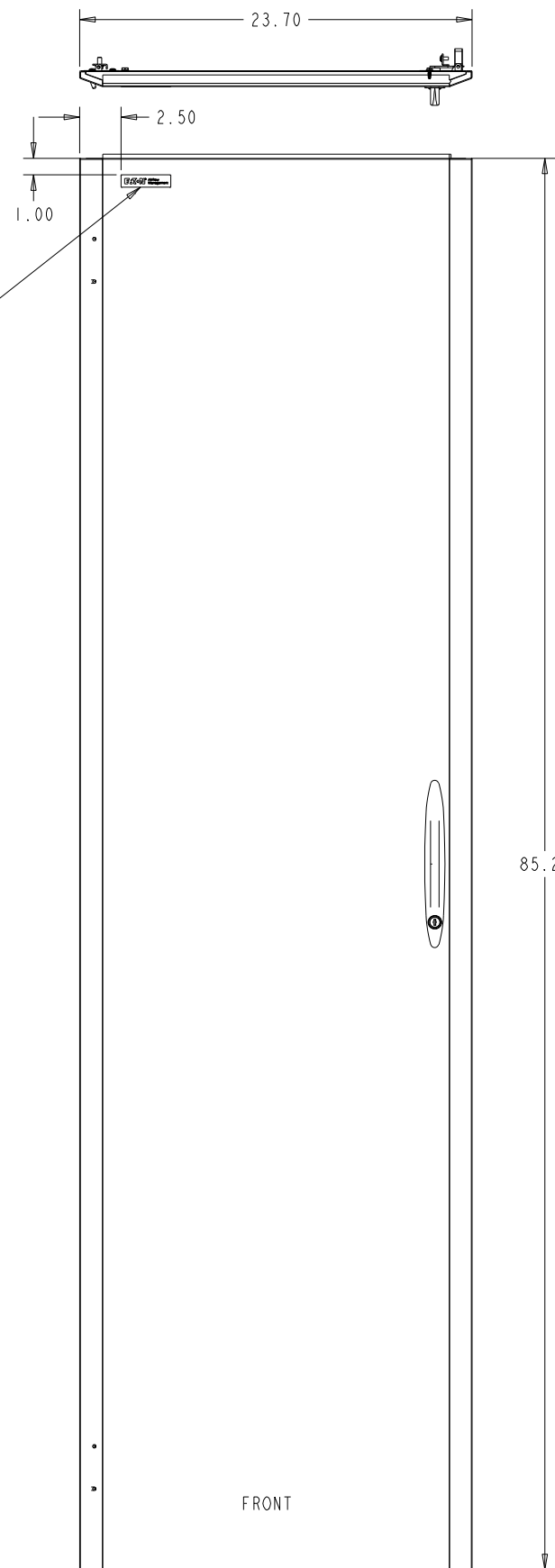


RELEASE STATUS
Production

P/N 96389
EATON LABEL

12



FRONT

SHIPPING WEIGHT: 60 POUNDS

| REV | REV. DATE | REV'D BY | CURRENT REVISION DESCRIPTION | ECN OR EPR NUMBER |
|-----|-----------|----------|------------------------------|-------------------|
| - | 03/28/13 | HJost | PRODUCTION RELEASE | EPRI33904 |

THIS DRAWING CONTAINS PROPRIETARY INFORMATION AND IS LOANED SUBJECT TO RETURN UPON DEMAND AND UPON THE EXPRESS CONDITION THAT IT WILL NOT BE USED IN ANY WAY DETRIMENTAL TO THE INTEREST OF EATON CORPORATION

DRAWN IN THIRD ANGLE PROJECTION

TOLERANCE UNLESS SPEC'D
.XX ± .02
.XXX ± .005
≤ ± .1"

ALL DIMENSIONS IN INCHES

| | |
|--------------------------------|---|
| CAGE NUMBER: 81824 | ORIG EPR: EPRI33904 |
| DESIGN MGMT SITE: Worcester | DES. BY MQuaglia 03/28/13 DRWN. BY MQuaglia 03/28/13 |
| MATERIAL: | PROD GRP 50 - Paramount |
| MATERIAL FINISH: | COLOR: CRS GA: OTHER: |
| SPEC # | Powder Coat - Variable |



DOOR, SOLID
48U X 24"W, LH

| | |
|---------------|--------------------|
| SHEET: 1 OF 4 | REV DATE: 03/28/13 |
| D JDS9124LR | REV - |

RELEASE STATUS
Production

P/N 54348, 1/4-20 X
1/2 HEXHEAD SCREW,
REF. PMKIT31

SEE SHEET 3 FOR
DETAIL LOCATION AND
LENGTHS

TOP OF DOOR

SEE SHEET 3
FOR DETAIL
LOCATION AND
LENGTHS

SEE DETAIL A

SEE DETAIL B

87316 (MALE), REF. PMKIT31.

DETAIL A
SCALE 0.500

DETAIL B
SCALE 0.650

| ITEM | TYPE | DOCUMENT # | REV | DESCRIPTION | QTY |
|------|------|------------|-----|--------------------------------------|-----|
| 22 | SM | 9237X | B | LOCK CAM | 1 |
| 21 | SM | 8689X | B | LOCK STRIKE | 1 |
| 20 | SM | 28649X | - | STIFF CVR, SING DR, SYM, 48U, FULL | 1 |
| 19 | SM | 28642X | I | STIFF CVR, SING DR, 48U, LATCH SIDE | 1 |
| 18 | SA | PMKIT31 | - | KIT, 84" | 1 |
| 17 | SA | 28618X | I | WLD - DOOR FRAME, SOLID | 1 |
| 16 | MP | 87399 | - | HINGE | 2 |
| 15 | CP | H121 | A | FOAM TAPE, SEE ITEM BALLOON FOR LGTH | 2 |
| 14 | CP | 8709M | B | ESCUTCHEON PLATE | 1 |
| 13 | CP | 97514 | - | SCREW, SELF DRILL, HEX 10-24 x .38 | 4 |
| 12 | CP | 96389 | A | LABEL - GENERAL DATA CENTER | 1 |
| 11 | CP | 89186 | A | WEATHER SEAL - .75" X .50" | 6 |
| 10 | CP | 87610 | - | LOCK HOUSING - 90 DEGREE | 1 |
| 9 | CP | 87332 | A | HANDLE | 1 |
| 8 | CP | 82787 | - | SCREW, M4 PH FIL HD, MACHINE | 2 |
| 7 | CP | 82201 | - | BUMPER - PRESSURE SENSITIVE | 2 |
| 6 | CP | 68374 | AB | SCREW, #8 AB X .500 PH PN HD SHT | 4 |
| 5 | CP | 66714 | H | SCREW, PAN HEAD SWAGEFORM | 2 |
| 4 | CP | 60297 | B | #3 SPRING CLIP LOCK | 1 |
| 3 | CP | 54348 | - | SCREW, 1/4-20X1/2 HEX WSHR HD | 4 |
| 2 | CP | 18977 | - | WASHER | 2 |
| 1 | CA | 87316 | - | GRABBER LATCH | 2 |

THIS DRAWING CONTAINS PROPRIETARY
INFORMATION AND IS LOANED SUBJECT
TO RETURN UPON DEMAND AND UPON
THE EXPRESS CONDITION THAT IT WILL
NOT BE USED IN ANY WAY DETRIMENTAL
TO THE INTEREST OF EATON CORPORATION

| | |
|--------------------------------|---|
| CAGE NUMBER: 81824 | ORIG EPR: EPRI33904 |
| DESIGN MGMT SITE: Worcester | DES. BY MQuaglia 03/28/13 DRWN. BY MQuaglia 03/28/13 |
| MATERIAL: | PROD GRP 50 - Paramount |
| MATERIAL FINISH: | COLOR: - CRS GA: - OTHER: - |
| SPEC # | |

EATON

DOOR, SOLID
48U X 24"W, LH

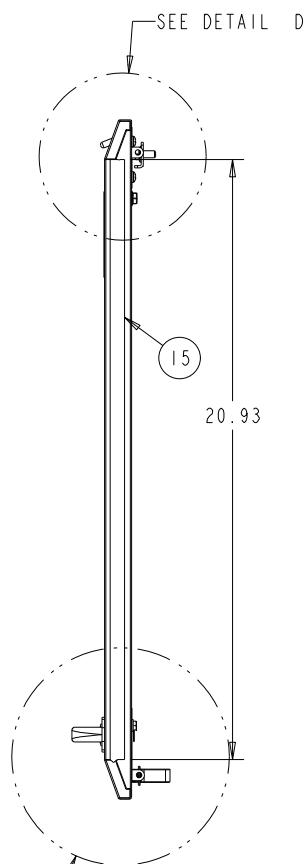
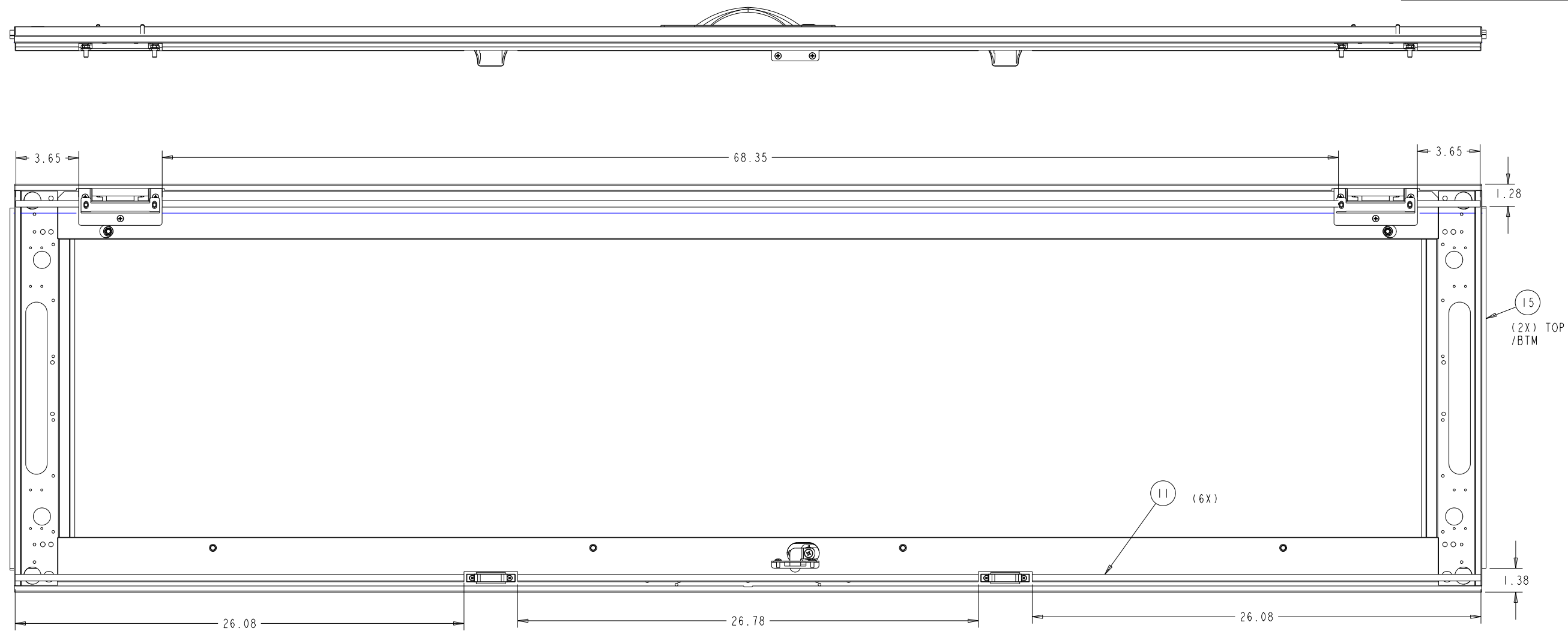
| | |
|---------------|--------------------|
| SHEET: 2 OF 4 | REV DATE: 03/28/13 |
| D JDS9124LR | REV - |

| REV | REV. DATE | REV'D BY | CURRENT REVISION DESCRIPTION | ECN OR EPR NUMBER |
|-----|-----------|----------|------------------------------|-------------------|
| - | 03/28/13 | HJost | PRODUCTION RELEASE | EPRI33904 |

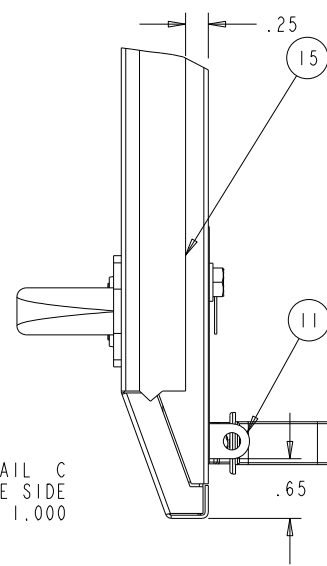
DRAWN IN THIRD
ANGLE PROJECTION

TOLERANCE
UNLESS SPEC'D
.xxx ± .02
.xxx ± .005
≤ ± 1°
ALL DIMENSIONS
IN INCHES

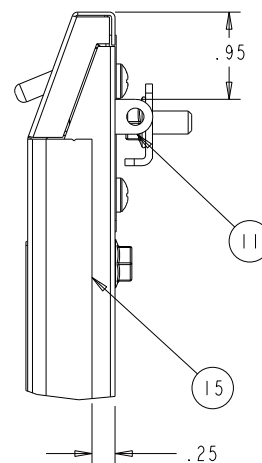
RELEASE STATUS
Production



SEE DETAIL C



DETAIL D
HINGE SIDE
SCALE 1.000



| | | | |
|--|-------------------|----------------------------|-------------------------------|
| THIS DRAWING CONTAINS PROPRIETARY INFORMATION AND IS LOANED SUBJECT TO RETURN UPON DEMAND AND UPON THE EXPRESS CONDITION THAT IT WILL NOT BE USED IN ANY WAY DETRIMENTAL TO THE INTEREST OF EATON CORPORATION DRAWN IN THIRD ANGLE PROJECTION | CAGE NUMBER: | ORIG EPR: EPRI33904 | |
| | 81824 | DES. BY MQuaglia 03/28/13 | |
| | DESIGN MGMT SITE: | DRWN. BY MQuaglia 03/28/13 | DOOR, SOLID 48U X 24"W, LH |
| | Worcester | PROD GRP 50 - Paramount | |
| MATERIAL: | COLOR: | CRS GA: | SHEET: 3 OF 4 |
| MATERIAL FINISH: | OTHER: | Powder Coat - Variable | REV DATE: 03/28/13 |
| SPEC # | | | D JDS9124LR REV - |

| REV | REV. DATE | REV'D BY | CURRENT REVISION DESCRIPTION | ECN OR EPR NUMBER |
|-----|-----------|----------|------------------------------|-------------------|
| - | 03/28/13 | HJost | PRODUCTION RELEASE | EPRI33904 |

wright•line

DESCRIPTION
DOOR, SOLID
48U X 24"W, LH

ASSEMBLY NUMBER
JDS9124LR

REVISION
-
03/28/13

| ITEM NO. | PART TYPE | 1 | 2 | 3 | 4 | NUMBER | ASSY LVL | REV | DESCRIPTION1 | DESCRIPTION2 | QTY | PRODUCT GROUP | NOTES | COLOR OFFERING | MAKE | BUY | NEW PART |
|----------|-----------|---|---|---|---|-----------|----------|-----|--------------------------------------|----------------------------|-----|----------------------|-------|----------------|------|-----|----------|
| 1 | MA | | | | | JDS9124LR | 1 | - | DOOR, SOLID | 48U X 24"W, LH | 1 | 50 - Paramount | | | | | |
| 2 | SA | | | | | 28618X | 2 | I | WLD - DOOR FRAME, SOLID | 91 " H x 24" W | 1 | 50 - Paramount | | | | | |
| 3 | SM | | | | | 102047 | 3 | I | DOOR PANEL, SOLID | 91 " H x 24" W | 1 | 50 - Paramount | | | | | |
| 4 | SM | | | | | 96605 | 3 | - | DOOR STIFFENER A | 91" HIGH (HINGE SIDE) | 1 | 50 - Paramount | | | | | |
| 5 | SM | | | | | 96606 | 3 | A | DOOR STIFFENER B | 91" HIGH (HANDLE SIDE) | 1 | 50 - Paramount | | | | | |
| 6 | SM | | | | | 100512 | 3 | - | DOOR STIFFENER HORIZONTAL | 24"W EXP MTL SCR'D NOT WLD | 2 | 50 - Paramount | | | | | |
| 7 | SM | | | | | 87361 | 3 | B | HINGE | OUTER | 2 | 50 - Paramount | | | | | |
| 8 | CP | | | | | 87334 | 3 | - | THREADED INSERT - 1/4 - 20 | | 2 | | | | | | |
| 9 | CP | | | | | 54348 | 3 | - | SCREW, 1/4-20X1/2 HEX WSHR HD | | 2 | | | | | | |
| 10 | CP | | | | | 66714 | 3 | H | SCREW, PAN HEAD SWAGEFORM | (OR EQUIVALENT) | 6 | | | | | | |
| 11 | SM | | | | | 28649X | 2 | - | STIFF CVR, SING DR, SYM, 48U, FULL | | 1 | | | | | | |
| 12 | SM | | | | | 28642X | 2 | I | STIFF CVR, SING DR, 48U, LATCH SIDE | - | 16 | Air Flow Management | | | | | |
| 13 | CP | | | | | 68374 | 2 | AB | SCREW, #8 AB X .500 PH PN HD SHT | | 4 | - | | | | | |
| 14 | CA | | | | | 87316 | 2 | - | GRABBER LATCH | | 2 | | | | | | |
| 15 | CP | | | | | 8709M | 2 | B | ESCUTCHEON PLATE | W/ LOCK HOLE | 1 | 50 - Paramount | | | | | |
| 16 | CP | | | | | 87610 | 2 | - | LOCK HOUSING - 90 DEGREE | | 1 | N/A | | | | | |
| 17 | CP | | | | | 60297 | 2 | B | #3 SPRING CLIP LOCK | | 1 | | | | | | |
| 18 | SM | | | | | 9237X | 2 | B | LOCK CAM | SINGLE DOOR | 1 | 50 - Paramount | | | | | |
| 19 | CP | | | | | 82201 | 2 | - | BUMPER - PRESSURE SENSITIVE | | 2 | | | | | | |
| 20 | CP | | | | | 18977 | 2 | - | WASHER | M4 EXTERNAL | 2 | 50 - Paramount | | | | | |
| 21 | CP | | | | | 82787 | 2 | - | SCREW, M4 PH FIL HD, MACHINE | 10MM LONG | 2 | | | | | | |
| 22 | CP | | | | | 87332 | 2 | A | HANDLE | | 1 | Multiple Association | | | | | |
| 23 | SA | | | | | PMKIT31 | 2 | - | KIT, 84" | DOOR ASY | 1 | | | | | | |
| 24 | MP | | | | | 87399 | 2 | - | HINGE | FRAME SIDE | 2 | | | | | | |
| 25 | CP | | | | | 97514 | 2 | - | SCREW, SELF DRILL, HEX 10-24 x .38 | MC 90064A480 | 4 | 16 - Air Flow Mgmt | | | | | |
| 26 | CP | | | | | H121 | 2 | A | FOAM TAPE, SEE ITEM BALLOON FOR LGTH | 1/2" WIDE X 1/4" THK | 31 | Vantage Enclosures | | | | | |
| 27 | CP | | | | | 89186 | 2 | A | WEATHER SEAL - .75" X .50" | - | 1 | 50 - Paramount | | | | | |
| 28 | CP | | | | | 96389 | 2 | A | LABEL - GENERAL DATA CENTER | MEDIUM | 1 | | | | | | |