

# Eaton Enclosure Packaging

Eaton offers a variety of packaging options to address different shipping requirements for enclosures. Key factors impacting packaging are:

- Weight of the product being shipped
- Single use or re-use applications

## Enclosure packaging options

### Standard packaging

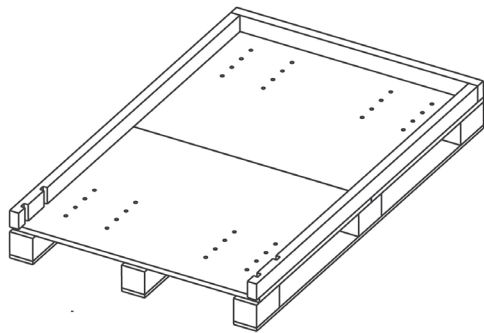
For single use shipment of empty enclosures for the Paramount and Vantage product lines, Eaton's standard packaging is recommended. This consists of strapping and wrapping an enclosure to a light duty wood pallet with the support of a corrugated corner, center and top pieces. Eaton's standard packaging can support a weight of up to 500 lbs.

This packaging is intended for single use/shipment. It is not intended for reuse/reshipment by the customer after integration of products into the enclosure.

### Standard packaging ramps

For orders shipped from the factory—a light duty wooden pallet ramp is available upon request at the time of order. The quantity of ramps required for the order should be specified at the time the purchase order is placed.

Any products shipping from the stocking warehouses will not receive ramps.



Medium duty pallet



Standard packaging

### Medium duty packaging

(for Eaton's Paramount and S-Series enclosures)

Medium duty packaging is standard on all S-Series Enclosures (ETN-xxx). It is also available as an optional selection for Paramount Enclosures at an upcharge. Medium duty packaging is designed to handle up to 1000 lbs. and is therefore applicable for limited offsite cabling and integration prior to reshipment to a customer's site.

The medium duty packaging features anchoring of the enclosure to the pallet (rather than the strapping used on standard packaging). The enclosure is anchored to ensure both safe transit of the enclosure and safety during the integration process.

There is an upcharge for medium duty pallets on Paramount, however it is standard on all S-Series Enclosures.

### Medium duty packaging ramps

Ramps for enclosures with medium duty packaging are an option that can be purchased at time of order. This ramp supports a higher weight loading than the standard ramp.



Powering Business Worldwide

## Medium duty packaging

(for all Eaton Vantage, Paramount and S-Series enclosures)

Heavy duty packaging is designed for multi-use applications and shipment of heavily integrated enclosures. The packaging will support up to 2000 lbs. for shipment. Heavy duty packaging can be requested only on shipments from the factory. It is not available on stocked enclosures.

## Heavy duty pallet and ramp

This pallet is our strongest available and is used for applications such as offsite loading of enclosures with heavy IT equipment being shipped to end customers or the final installation site. The heavy duty packaging includes a shipping bracket installed in the rackmount space of the enclosure for additional rigidity under the heavy load during shipment. This bracket is removed during installation at the final site. The enclosure is bolted directly to the pallet with anchor brackets. These pallets will support a fully loaded rack up to 2,000 lbs., travelling up to 6000 miles. Ramps are also available to purchase at the time of order to support offloading the enclosure.



Heavy duty pallet

## ENCLOSURE PACKAGING PART NUMBERS

STANDARD DUTY				
Product Line	24"W Pallet	30"W Pallet	24"W Ramp	30"W Ramp
Paramount	n/a	n/a	ENCRMP24	ENCRMP30
S-Series	n/a*	n/a*	n/a*	n/a*
Vantage	n/a	n/a	ENCRMP24V	ENCRMP30V
VS2	n/a	n/a	ENCRMP24V	ENCRMP30V
MEDIUM DUTY				
Product Line	24"W Pallet	30"W Pallet	24"W Ramp	30"W Ramp
Paramount	PKGMEPMT	PKGMEPMT	PKGMEDRAMP	PKGMEDRAMP
S-Series	n/a*	n/a*	ETN-ENCMEDRAMP	ETN-ENCMEDRAMP
HEAVY DUTY				
Product Line	24"W Pallet	30"W Pallet	24"W Ramp	30"W Ramp
Paramount	HDPKGUPCHARGE24	HDPKGUPCHARGE30	ENCRMP3784	ENCRMP3784
S-Series	ETN-HDPKGUPCH24**	ETN-HDPKGUPCH30**	ETN-ENCRMP3784	ETN-ENCRMP3784
Vantage	n/a	HDPKGUPCHARGE27**	ENCRMP3784	ENCRMP3784
VS2	HDPKGUPCHARGE24**	HDPKGUPCHARGE30**	ENCRMP3784	ENCRMP3784

\*This product line comes standard with medium duty packaging

\*\*Heavy duty packaging cannot be used with items in stock

**Eaton**  
1000 Eaton Boulevard  
Cleveland, OH 44122  
United States  
Eaton.com

Powerquality.eaton.com

© 2016 Eaton  
All Rights Reserved  
Printed in USA  
Publication No. PA159006EN / GG  
January 2016



For more information about enclosure packaging, please visit

[Eaton.com/DataCenter](http://Eaton.com/DataCenter)

Eaton is a registered trademark.

All other trademarks are property of their respective owners.