



# MiniRaQ by Eaton

Vertical equipment mounting at its best!



35 inches in clearance allowing you to vertically mount your network and server equipment

**The MiniRaQ by Eaton is the ideal vertical rack enclosure for wallmount Edge IT and power management equipment.**

Capable of supporting up to 400 pounds in a compact footprint, MiniRaQ provides a reliable enclosure capable of fitting in confined spaces. Compatible with a wide variety of Eaton UPSs (lead-acid and lithium battery offerings), automatic transfer switches, bypass and rack power distribution units, the MiniRaQ supports your power reliability requirements, while providing an additional level of security for remote environments. Unlike traditional horizontal-mount enclosures with 19- to 23-inch limitations, you can vertically mount networking and server equipment up to 35 inches in length safely and securely within your Edge application.

## Key features and benefits

### Save time

- **Modular design** guarantees installation can be performed by one technician, reducing installation costs and time to deploy
- **Unsurpassed weight capacity** allows up to 400 lbs. of critical equipment to be installed

### Save space

- **Large cable access openings** on the top, bottom, and sides of the backplate provide increased cable and conduit routing flexibility
- **50 percent smaller footprint** makes the MiniRaQ an ideal solution for network closets and other small, non-traditional applications

### Reduce risk

- **The optional high-velocity, multi-fan module** ensures critical networking equipment stays cool



Powering Business Worldwide

# Versatility where you require it

**MiniRaQ by Eaton, offers customers three main options that are available in two sizes, compact and tall.** Select the open version for simplified deployments, the convertible version if you require flexibility or the secure version for optimum security. The MiniRaQ's convertible design allows you to adapt and future-proof your environment as your requirements change by upgrading to the secure version. With depths up to 35 inches in an enclosure that extends less than 13 inches from the wall, MiniRaQ fully supports your next edge IT deployment with minimal footprint impact.

## Sizing options

### Compact rack



**Compact – supports equipment from 22–28 inches in depth.**

### Tall rack



**Tall – supports equipment from 29–35 inches in depth.**

## Configuration options

### Open rack



**Sturdy, low-profile, open frame wallmount rack**

### Convertible rack



**Rugged, low-profile design capable of being upgrade to MiniRaQ secure**

### Secure rack



**Locking lid wallmount rack with heat removal, air filtering, equipment mounting and data/cable management accessories**

## Optimize the performance of your MiniRaQ

### Riser brackets

The 6-inch riser kit increases the maximum equipment holding depth to 35 inches.



**MiniRaQ riser brackets**

### Brush cover access plate

Allows cables to be passed to or from the top, bottom, or sides of the MiniRaQ.



**MiniRaQ brush cover access plates**

### Fan tray

Dual-fan units allow for maximum airflow and heat removal.



**The perfect complement to the 10U secure compact or tall MiniRaQ enclosure**

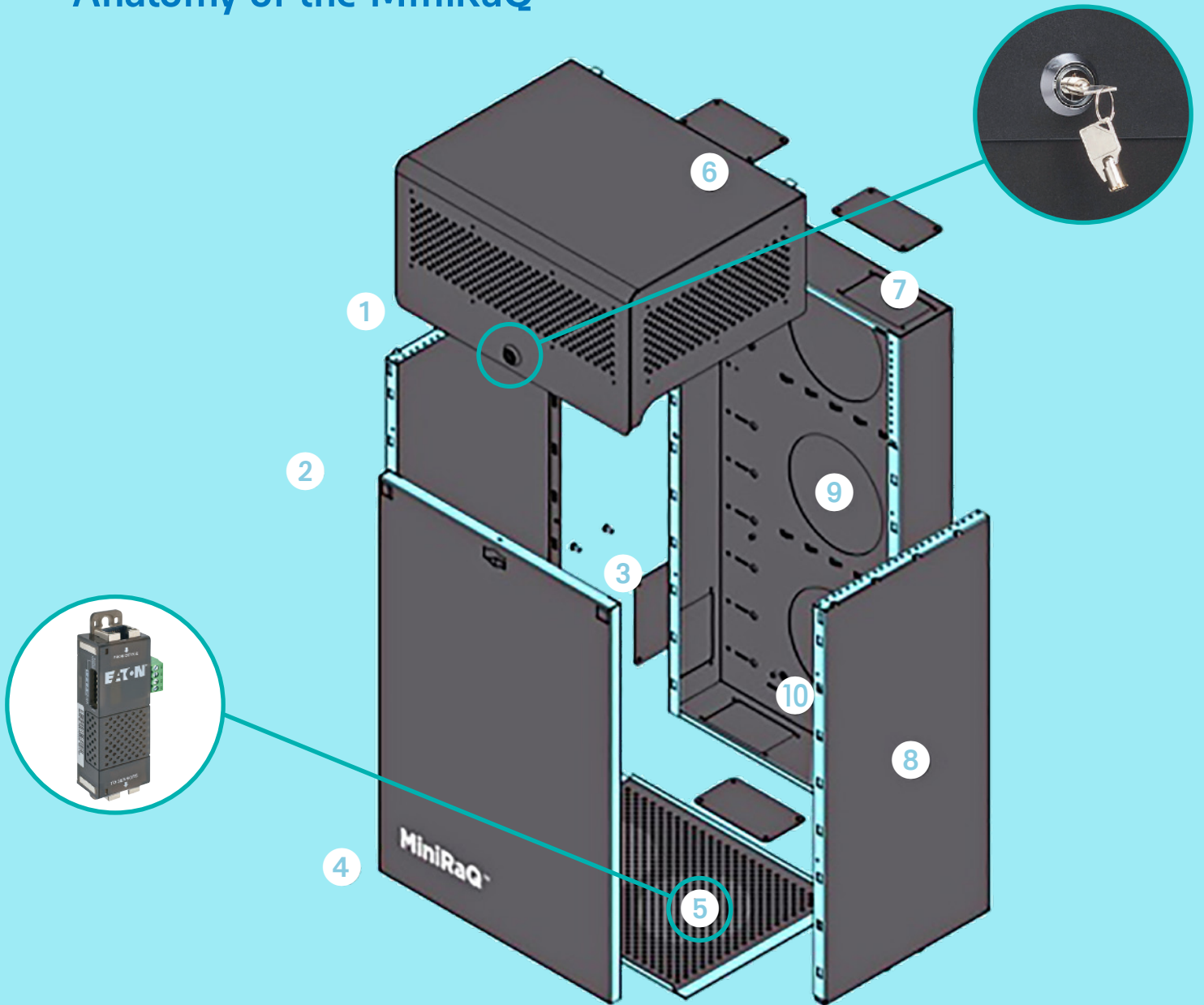
### Filter kits

Keep dust and debris away from your critical equipment.



**These replaceable filters are installed inside the locking lid in front of the cooling holes**

# Anatomy of the MiniRaQ



**1 Optimized for deep rackmount components**

Vertical orientation allows equipment depths up to 35 inches, exceeding the limitations of traditional horizontal enclosures

**2 Single technician install**

Modular design guarantees that installation can be performed by one technician greatly reducing install costs and time to deployment

**3 Optimized data and power cable routing**

Large cable access openings on top, bottom and sides of backplate allow for increased flexibility when routing cable bundles, service loops or conduit

**4 50% smaller footprint**

The smaller footprint of the MiniRaQ is ideal for small networking closets or other non-traditional spaces

**5 Keep it cool**

Optional high velocity multi-fan module keeps critical network equipment cool. Add an [Environmental Monitoring Probe \(EMP\) Gen 2 \(EMPDT1H1C2\)](#) to collect temperature and humidity data and receive alerts.

**6 Secure enclosure**

Ensures physical protection of critical network equipment against hackers, thieves or vandalism

**7 Incorporated cable management**

Bridge lance design provides an easy way to keep cables tight and organized

**8 Greatly reduced enclosure depth**

Safely deploy 6U of equipment and 96 ports of patch panel in a fully secure enclosure that only extends 13 inches from the wall

**9 Unsurpassed weight capacity**

Designed to hold up to 400 lb. when properly installed

**10 Integrated earth grounding stud**

Insures proper protection of network critical equipment against damaging power events

## MINIRAQ BY EATON MODEL SELECTION GUIDE\*

Catalog number	Description	Dimensions (H x W x D), in.	Net weight, (lb.)
<b>MiniRaQ Open</b>			
ETN-MRQ100V06	4U side panels and a backplate (2.5" deep)	19.25 x 19 x 9.75	18
ETN-MRQ100V08	6U side panels and backplate (2.5" deep)	19.25 x 19 x 13.25	20
ETN-MRQ100V10	8U side panels and backplate (2.5" deep)	19.25 x 19 x 16.75	22
ETN-MRQ100V12	10U side panels and backplate (2.5" deep)	19.25 x 19 x 20.25	24

### MiniRaQ Convertible

<b>MiniRaQ Convertible Compact</b>			
ETN-MRQ351V06	No side panels and backplate (4.5" deep)	31.0 x 19.6 x 4.5	25
ETN-MRQ351V08	2U side panels and backplate (4.5" deep)	31.0 x 19.6 x 8.3	34
ETN-MRQ351V10	4U side panels and backplate (4.5" deep)	31.0 x 19.6 x 11.8	37
ETN-MRQ351V12	6U side panels and backplate (4.5" deep)	31.0 x 19.6 x 15.3	41
ETN-MRQ351V14	8U side panels and backplate (4.5" deep)	31.0 x 19.6 x 18.8	44
ETN-MRQ351V16	10U side panels and backplate (4.5" deep)	31.0 x 19.6 x 22.3	47

<b>MiniRaQ Convertible Tall</b>			
ETN-MRQ301V06	No side panels and backplate (4.5" deep)	38.1 x 19.6 x 4.5	25
ETN-MRQ301V08	2U side panels and backplate (4.5" deep)	38.1 x 19.6 x 8.3	34
ETN-MRQ301V10	4U side panels and backplate (4.5" deep)	38.1 x 19.6 x 11.8	37
ETN-MRQ301V12	6U side panels and backplate (4.5" deep)	38.1 x 19.6 x 15.3	41
ETN-MRQ301V14	8U side panels and backplate (4.5" deep)	38.1 x 19.6 x 18.8	44
ETN-MRQ301V16	10U side panels and backplate (4.5" deep)	38.1 x 19.6 x 22.3	47

### MiniRaQ Secure

<b>MiniRaQ Secure Compact</b>			
ETN-MRQ351S06	No side panels, backplate (4.5" deep), front panel, locking cover and vented bottom – supports equipment depth of 22" to 28"	31.0 x 19.6 x 4.5	40
ETN-MRQ351S08	2U side panels, backplate (4.5" deep), front panel, locking cover and vented bottom – supports equipment depth of 22" to 28"	31.0 x 19.97 x 8.95	52
ETN-MRQ351S10	4U side panels, backplate (4.5" deep), front panel, locking cover and vented bottom – supports equipment depth of 22" to 28"	31.0 x 19.97 x 12.45	58
ETN-MRQ351S12	6U side panels, backplate (4.5" deep), front panel, locking cover and vented bottom – supports equipment depth of 22" to 28"	31.0 x 19.97 x 15.95	66
ETN-MRQ351S14	8U side panels, backplate (4.5" deep), front panel, locking cover and vented bottom – supports equipment depth of 22" to 28"	31.0 x 19.97 x 19.45	72
ETN-MRQ351S16	10U side panels, backplate (4.5" deep), front panel, locking cover and vented bottom – supports equipment depth of 22" to 28"	31.0 x 19.97 x 22.95	78

<b>MiniRaQ Secure Tall</b>			
ETN-MRQ301S06	No side panels, backplate (4.5" deep), front panel, locking cover and vented bottom – supports equipment depth of 29" to 35"	38.1 x 19.6 x 4.5	48
ETN-MRQ301S08	2U side panels, backplate (4.5" deep), front panel, locking cover and vented bottom – supports equipment depth of 29" to 35"	38.1 x 19.97 x 8.95	60
ETN-MRQ301S10	4U side panels, backplate (4.5" deep), front panel, locking cover and vented bottom – supports equipment depth of 29" to 35"	38.1 x 19.97 x 12.45	67
ETN-MRQ301S12	6U side panels, backplate (4.5" deep), front panel, locking cover and vented bottom – supports equipment depth of 29" to 35"	38.1 x 19.97 x 15.95	76
ETN-MRQ301S14	8U side panels, backplate (4.5" deep), front panel, locking cover and vented bottom – supports equipment depth of 29" to 35"	38.1 x 19.97 x 19.45	83

\*Due to continuous product improvement programs, all specifications are subject to change without notice. Please visit [Eaton.com/MiniRaQ](http://Eaton.com/MiniRaQ) to view complete and updated product specifications.

#### Features

- 2U dedicated space for patch panel

#### Features

- 4U dedicated space for patch panel
- Bonus 2U equipment space internal to backplate
- Upgradeable to MiniRaQ Secure Compact

#### Features

- 4U dedicated space for patch panel
- Bonus 2U equipment space internal to backplate

#### What's in the box

- MiniRaQ
- Instruction manual
- Keys
- Mounting screws