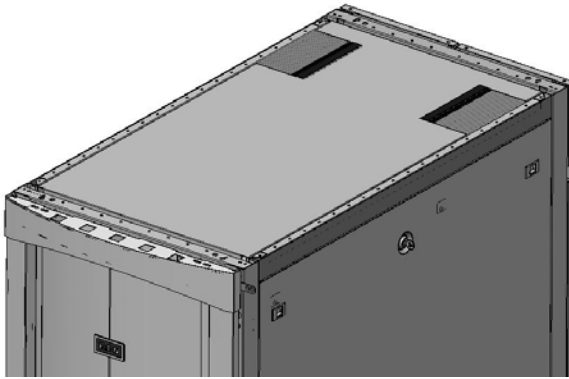


## RS Horizontal panels (top)

### Horizontal panels

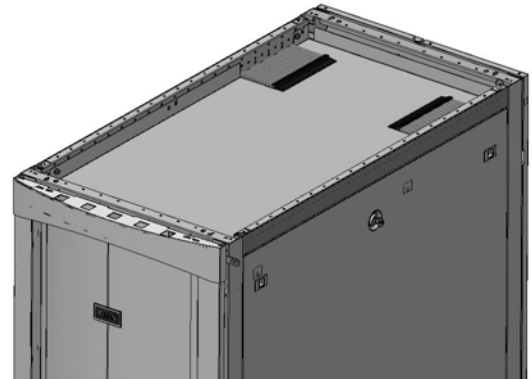
The pre-configured enclosures are equipped with single-piece, full depth panels installed in the top of the enclosure.



**Single-piece horizontal panel**

### Horizontal panel “flip-over” feature

When used as top panels, the horizontal panels may be installed with the smooth side up or down. Installing the panel with the smooth side down helps minimize cold air bypass over the top of the electronic equipment zone, particularly in the front of the enclosure. This mode of installation is also useful to create a front-to-back cable chase over the top exterior of the enclosure.



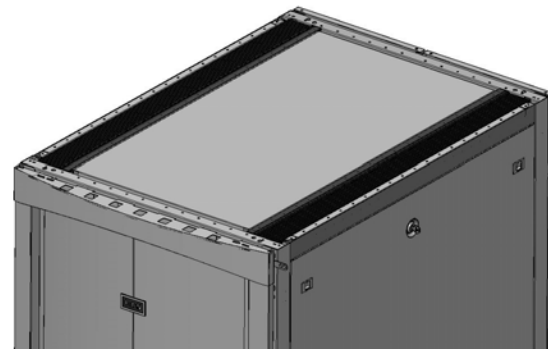
**Single-piece horizontal panel (inverted)**

### DISCLAIMER OF WARRANTIES AND LIMITATION OF LIABILITY

The information, recommendations, descriptions and safety notations in this document are based on Eaton Corporation's ("Eaton") experience and judgment and may not cover all contingencies. If further information is required, an Eaton sales office should be consulted. Sale of the product shown in this literature is subject to the terms and conditions outlined in appropriate Eaton selling policies or other contractual agreement between Eaton and the purchaser.

THERE ARE NO UNDERSTANDINGS, AGREEMENTS, WARRANTIES, EXPRESSED OR IMPLIED, INCLUDING WARRANTIES OF FITNESS FOR A PARTICULAR PURPOSE OR MERCHANTABILITY, OTHER THAN THOSE SPECIFICALLY SET OUT IN ANY EXISTING CONTRACT BETWEEN THE PARTIES. ANY SUCH CONTRACT STATES THE ENTIRE OBLIGATION OF EATON. THE CONTENTS OF THIS DOCUMENT SHALL NOT BECOME PART OF OR MODIFY ANY CONTRACT BETWEEN THE PARTIES.

In no event will Eaton be responsible to the purchaser or user in contract, in tort (including negligence), strict liability or otherwise for any special, indirect, incidental or consequential damage or loss whatsoever, including but not limited to damage or loss of use of equipment, plant or power system, cost of capital, loss of power, additional expenses in the use of existing power facilities, or claims against the purchaser or user by its customers resulting from the use of the information, recommendations and descriptions contained herein. The information contained in this manual is subject to change without notice.



**800mm wide enclosure with removable brushes**



*Powering Business Worldwide*

### How to remove and install a horizontal panel

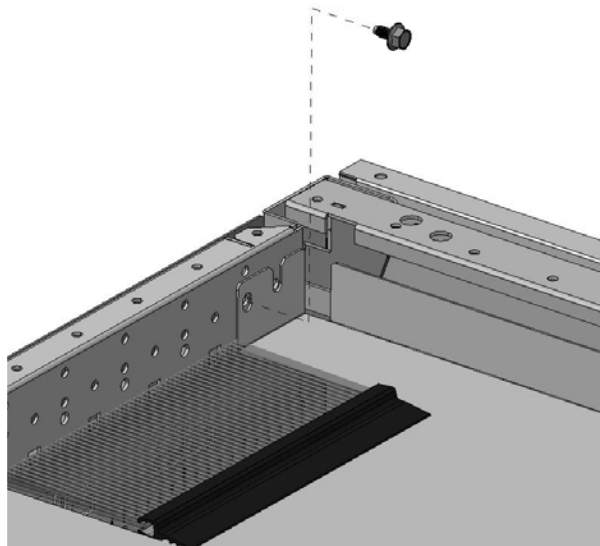
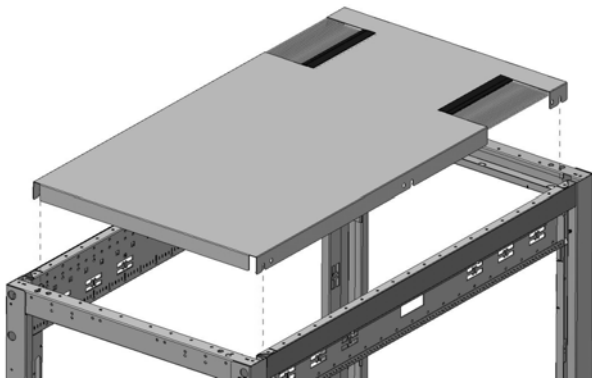
Horizontal panels are retained by M6 thread forming hex head bolts.

To remove a horizontal panel:

- 1 Loosen bolts about 1/2 way.
- 2 Lift panel up and off bolts.
- 3 To install panel in inverted position, remove bolts completely, invert panel align and secure bolts with oval cut outs. (will require access to cabinet from top to secure)

**Note:** Reverse procedure to flip or reinstall panels.

600



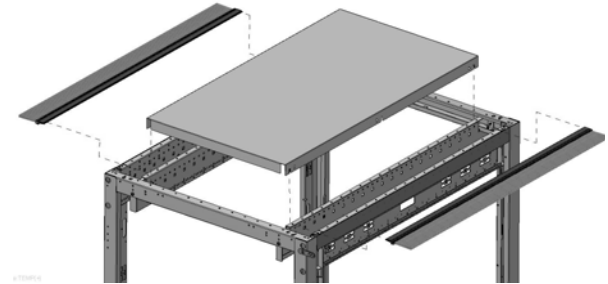
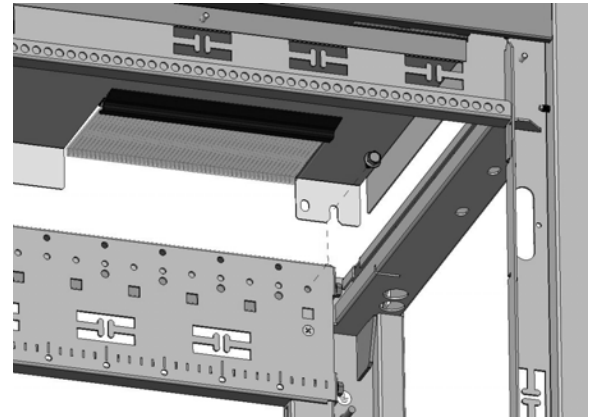
### How to remove and install a horizontal panel – 800 mm wide enclosures

Horizontal panels for 800 mm wide enclosure consist of additional side brushes that fill the roughly 100 mm gap on either side of the enclosure.

To remove these panels:

- A Slide brushes off top edges of inner front top back channels.
- B **Note:** Remove inner panel(s) the same as noted previously.

**Note:** Reverse procedure to reinstall panels or flip inner panel(s).



800

Eaton  
1000 Eaton Boulevard  
Cleveland, OH 44122  
United States  
Eaton.com

© 2018 Eaton  
All Rights Reserved  
Printed in USA  
Publication No. IL159004EN  
October 2018



Eaton is a registered trademark.

All trademarks are property of their respective owners.

Follow us on social media to get the latest product and support information.

