

# Unpacking, installation and adjusting a 600 mm wide RS Enclosure equipped with Heavy Duty packaging and rail supports.

## Before installing Eaton's RS Enclosure, it is recommended that you do the following:

- Read and understand the instruction herein before attempting to unpack, install, operate or service the RS enclosure.
- Follow all information that is found on safety labels on the product and packaging.
- Familiarize yourself with the various enclosure components described within this manual.
- Familiarize yourself with the warning symbols that appear throughout this manual.
- The use of personal protective equipment such as safety glasses and work gloves is recommended during the unpacking and set-up of the enclosure.
- Read, understand and follow the guidelines and limitations herein for loading your enclosure.

## Download our complete RS Enclosure installation manual at

<http://powerquality.eaton.com/Products-services/Enclosures/Eaton-RS-Enclosures-Server.aspx>

### NOTICE

Notice point out something of special interest to the reader in direct context or relationship to the immediate topic or step being performed.

### WARNING

Warnings draw special attention to any situation that may cause severe injury, physical harm, or death, to the reader and/or person performing the task at hand.

## Safety Warnings and Precautions

### WARNING

Do not apply loads that exceed the capacity of the enclosure. The stated capacities DO NOT include the weight of the enclosure itself.

The applied load includes any items installed into the enclosure after receipt of the enclosure from the carrier, including (but not limited to) electronic equipment, power distribution units, and cabling. The applied load also includes any item(s) mounted to the outside of the enclosure or rested on the top of the enclosure, where the enclosure bears the weight of the items.

It is recommended that you load your heaviest electronic equipment at the bottom of the enclosure. This will ensure that the load's center of gravity (tipping point) is as low as possible. **Failure to follow this warning could result in the possibility of the enclosure tipping, causing serious injury or property damage.**

Installation and assembly must be performed by qualified personnel.

Ensure that the floor / wall structure is able to withstand the weight of the enclosure while fully loaded.

Ensure the enclosure is plumb and level for proper operation.

Route all power cords and cabling away from any possible pinch points or moving parts.

Always fully mount and secure enclosure or rack system before loading equipment.

Evenly distribute all mounted loads and equipment to ensure stability within the enclosure system, placing heavier loads towards the bottom of the enclosure to avoid unstable conditions.

To reduce risk of personal injury and product damage, always ensure a sufficient amount of personnel are present when loading, unloading or moving the enclosure or rack system.

Suitable for mounting on concrete or other non-combustible surface only.

Assembly and installation of certain accessories takes place on top of an enclosure, at an approximate height of 8-11 feet. If step ladders are used during installation, installers MUST maintain three points of contact with the ladder at all times, DO NOT climb to a point higher than six feet from the ground, unless tethered to a safety harness, and NEVER stand on the top two steps of a step ladder, regardless of the ladder's overall height.

**Failure to adhere to these warnings may result in serious injury or property damage.**

## Disclaimer of warranties and limitation of liability

The information, recommendations, descriptions and safety notations in this document are based on Eaton Corporation's ("Eaton") experience and judgment and may not cover all contingencies. If further information is required, an Eaton sales office should be consulted. Sale of the product shown in this literature is subject to the terms and conditions outlined in appropriate Eaton selling policies or other contractual agreement between Eaton and the purchaser.

THERE ARE NO UNDERSTANDINGS, AGREEMENTS, WARRANTIES, EXPRESSED OR IMPLIED, INCLUDING WARRANTIES OF FITNESS FOR A PARTICULAR PURPOSE OR MERCHANTABILITY, OTHER THAN THOSE SPECIFICALLY SET OUT IN ANY EXISTING CONTRACT BETWEEN THE PARTIES. ANY SUCH CONTRACT STATES THE ENTIRE OBLIGATION OF EATON. THE CONTENTS OF THIS DOCUMENT SHALL NOT BECOME PART OF OR MODIFY ANY CONTRACT BETWEEN THE PARTIES.

In no event will Eaton be responsible to the purchaser or user in contract, in tort (including negligence), strict liability or otherwise for any special, indirect, incidental or consequential damage or loss whatsoever, including but not limited to damage or loss of use of equipment, plant or power system, cost of capital, loss of power, additional expenses in the use of existing power facilities, or claims against the purchaser or user by its customers resulting from the use of the information, recommendations and descriptions contained herein. The information contained in this manual is subject to change without notice.

# EATON

Powering Business Worldwide

# Unpacking, off-loading from pallet, and moving enclosures

## ⚠ WARNING

- Use two or more people to move the enclosure off the pallet.
- Empty enclosures can weigh as much as 500 pounds, depending on size and configuration.
- Failure to follow this warning could result in the possibility of the enclosure tipping, causing serious injury or property damage.

## NOTICE

- Use two people to roll and guide an enclosure that is equipped with casters.
- Do **not** attempt to roll the enclosures sideways.
- For enclosures that do **not** have casters installed, use appropriate material handling and moving devices that are approved by the installation site.

## Tools needed for unpacking and initial enclosure setup

- Utility knife
- Level
- 9/16 wrench or socket driver
- 7mm hex nut driver
- Phillips head screw driver
- Cordless screw gun with Phillips head bit
- Site approved moving device for enclosures without casters

## ⚠ WARNING

The enclosure can easily be tipped. Use extreme caution when moving the enclosure.  
**DO NOT PUSH ON THE CENTER OF DOORS OR SIDE PANELS.**  
**DO NOT USE A "WALKING" METHOD (PUSHING SIDE TO SIDE) TO MOVE THE ENCLOSURE.**

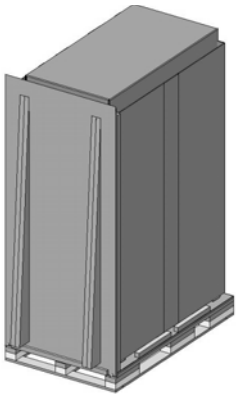
## ⚠ WARNING

For populated enclosures with heavy equipment, that are re-utilizing the HD packaging, it is recommended that appropriate, site approved material handling and moving devices be utilized to offload and load the enclosure from packaging.

## Initial enclosure set-up

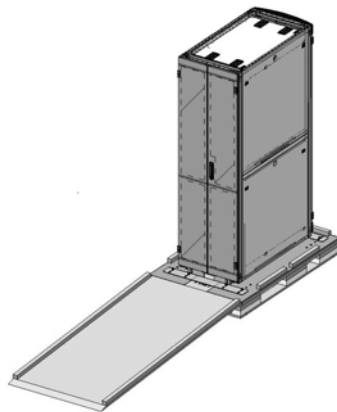
For convenience at initial set-up, it may be desirable to remove doors and side panels to help reduce the enclosure weight and improve access to the interior of the enclosure.

### Inspect the enclosure



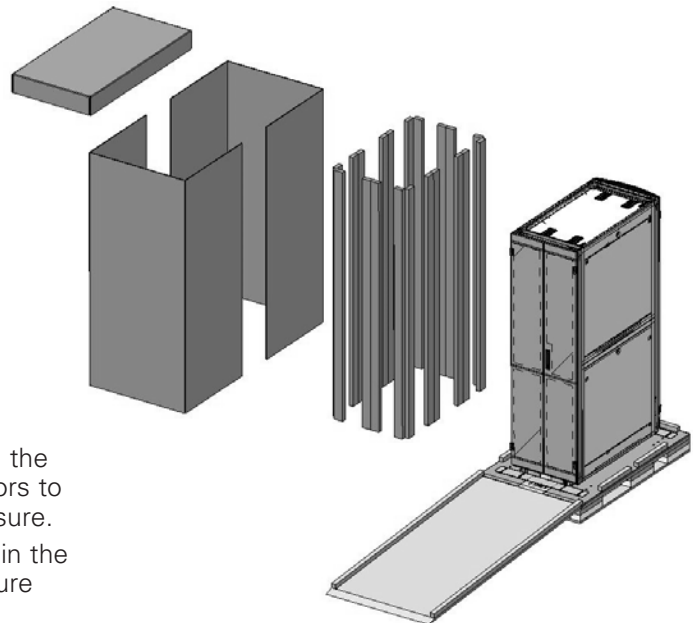
The packaged enclosure should be inspected for shipping damage prior to unpacking. If damage to the packaging or enclosure is visible, immediately contact your Eaton representative and request the carrier's agent to be present when the unit is unpackaged.

### Unpack the enclosure



1. Cut the plastic wrap along the corrugated corner protectors to avoid damaging the enclosure.
2. Carefully remove and retain the packaging material for future re-use.
3. See next section for ramp installation and removal of shipping brackets, if required.

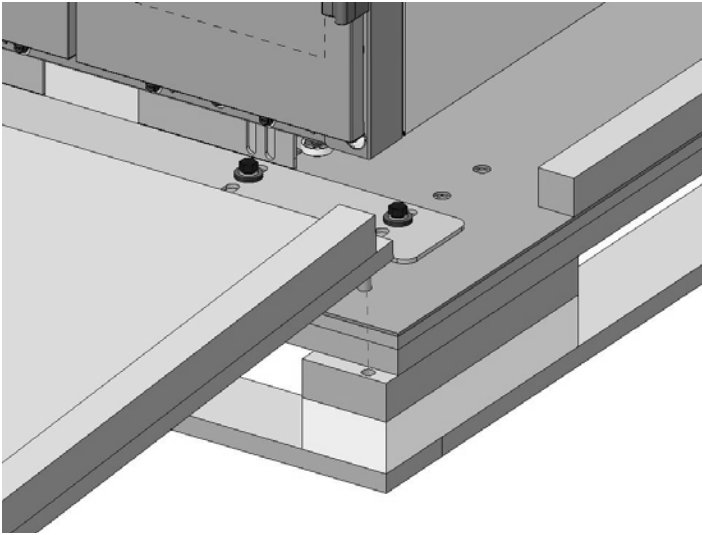
### Retain the packaging for re-use



# Remove the enclosure from the pallet

## Assemble the ramp to the shipping pallet

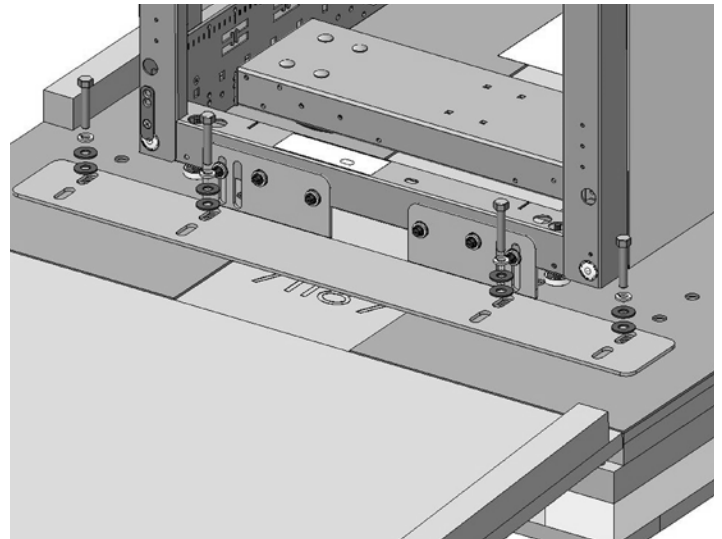
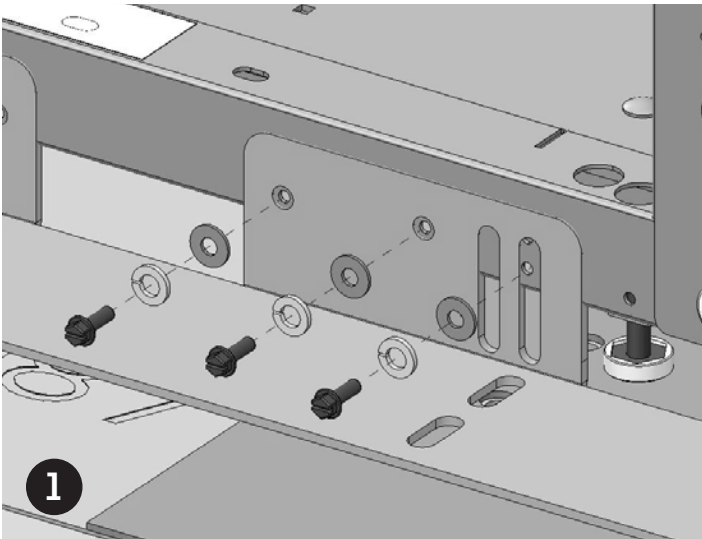
1. Detach the ramp from its shipping position by lifting the ramp upward.
2. Place the ramp into the open end of the pallet, align ramp pegs with holes on pallet ledge.



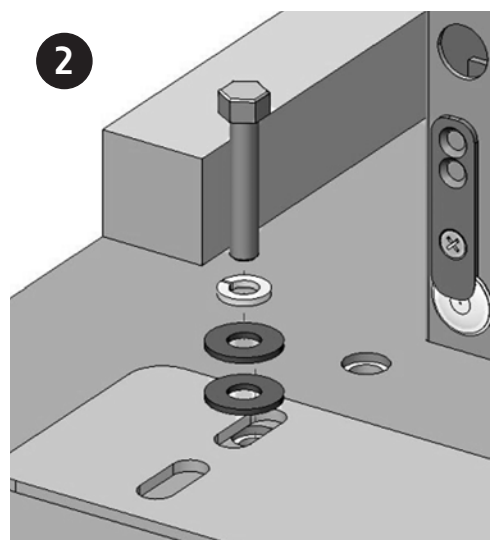
**! WARNING**

Ensure ramp is fully secured to pallet before moving enclosure on the ramp.

## Remove and install shipping brackets



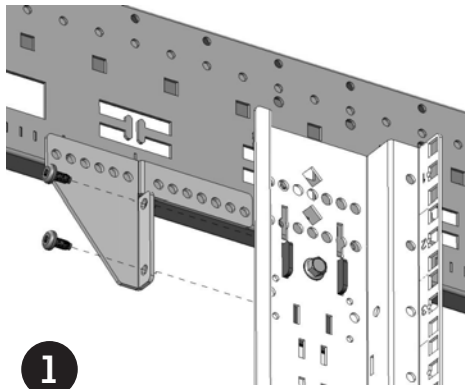
1. Remove and retain hardware to attach shipping brackets to enclosure. ( $\frac{1}{4}$ -20 x  $\frac{3}{4}$ " Hex Screw,  $\frac{1}{4}$ " Flat washer,  $\frac{3}{8}$ " Split Washer, (12x ea.))
2. Remove and retain hardware to attach shipping brackets to pallet. ( $\frac{3}{8}$ -16 x 2.0 Hex Bolt (8x),  $\frac{3}{8}$ " Flat Washer (16X),  $\frac{3}{8}$ " Split Washer (8x))



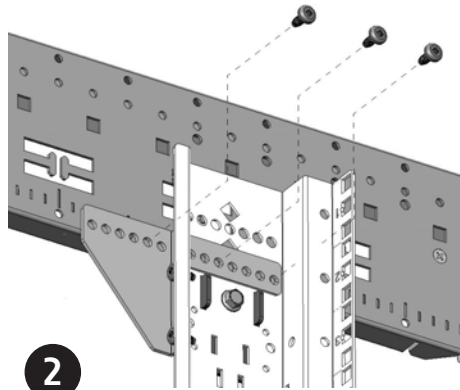
# RS 600mm wide HD rail support brackets

## Remove and install HD 600mm wide rail support brackets

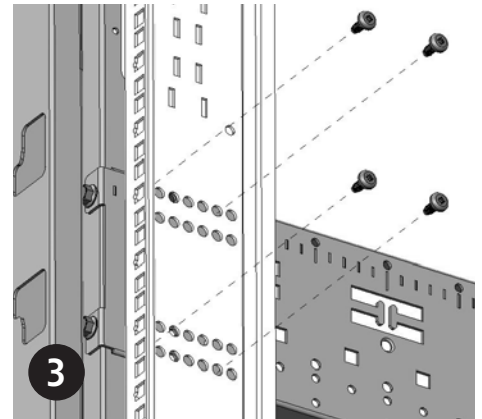
To install HD rail support kit, or to adjust rails with previously installed HD support brackets:



1. Install, if needed, hardware screws to attach support bracket to rack rails, 4 places each rail. (If support brackets are already present, and are only adjusting the rail position, then move to step two).



2. Remove and retain hardware screws to attach support bracket to rack rails and to secure rails to frame, 6 places each rail.

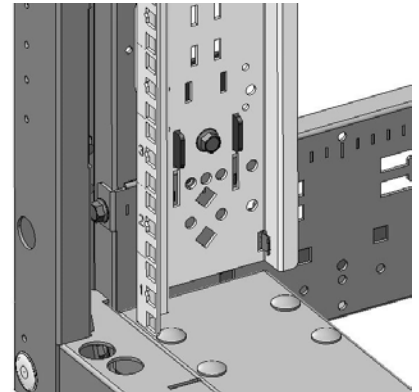
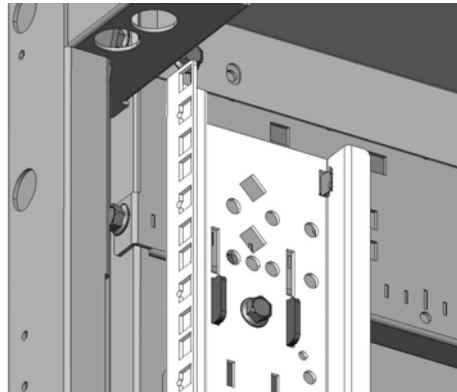


3. Remove and retain hardware screws to secure rails to frame at the middle of the rails, 4 places each rail.

## Equipment rail

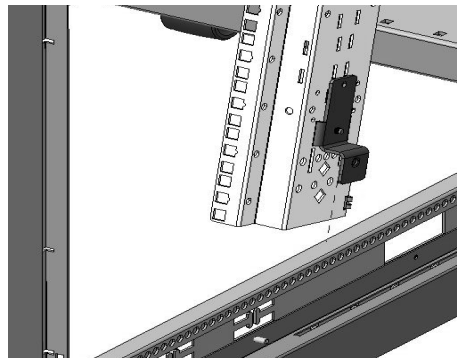
### Adjusting equipment rail

1. Loosen bolts, top and bottom.
2. Slide the equipment rail forward or back to the desired position.
3. Align face of rail with desired hash marks on enclosure side members. The spacing of hash marks is 10mm, or approximately  $\frac{3}{8}$ ".
4. Ensure rail is aligned vertically.
5. Re-install support brackets and hardware screws, tighten bolts.



### Removing equipment rail

1. Loosen bolts, top and bottom rails.
2. Tilt top of rail forward or back to unseat rails hanger brackets.
3. Lift and remove rail from enclosure's side members.
4. Re-install support brackets and hardware screws.



**Eaton**  
1000 Eaton Boulevard  
Cleveland, OH 44122  
United States  
Eaton.com

© 2018 Eaton  
All Rights Reserved  
Printed in USA  
Publication No. IL301002EN  
August 2018

Eaton is a registered trademark.

All trademarks are property of their respective owners.

**EATON**  
Powering Business Worldwide

Follow us on social media to get the latest product and support information.

