

RS Door reversal hinge kit

This section covers the methods required to remove, reverse swing and change and install handles on doors.

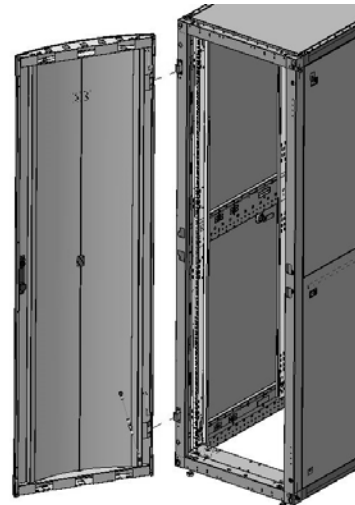
Removing the door from the enclosure

- 1 Open door and de-couple the ground lanyard center connection.

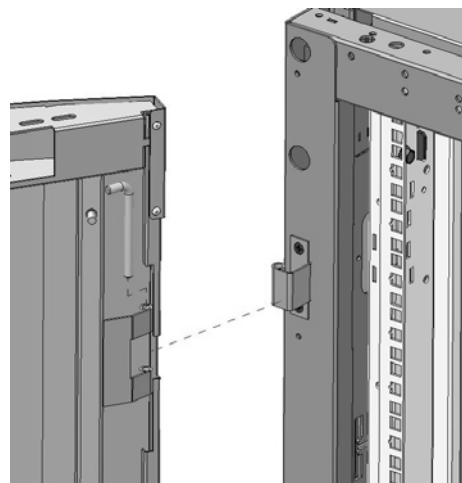


- 2 With door open to about 45 degrees, remove hinge pin at the top and bottom hinge locations.

Note: On larger size doors, it is recommended that two people perform this tasks to help minimize the risk of injury or damage to product.



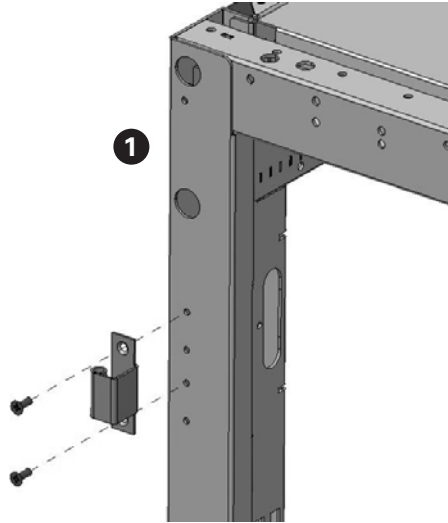
- 3 Carefully slide door out of hinge mounts.
Reverse procedure to replace door.



RS PDU DOOR REVERSAL HINGE KIT

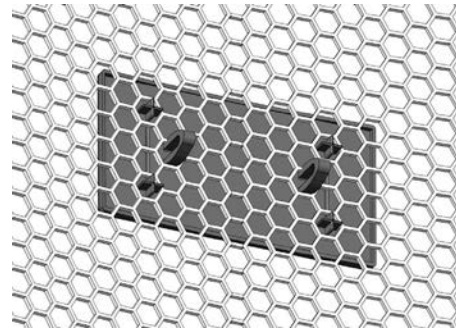
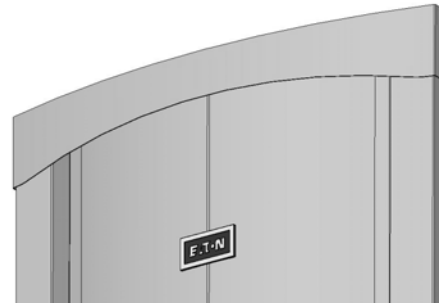
Reversing the swing of the door

- 1 Remove existing hinges from both door and frame, by removing screws.
 - Reverse existing door handle (refer to installing door handle section).
 - Relocate hinges to opposite side frame uprights, and attach with screws. Ensure correct mounting hole location.



Remove existing logo badge

- 1 Pinch center barbs to remove. (A replacement badge is provided in the event the existing gets damaged during removal.)
 - Locate badge on opposite end of newly oriented door. Center on door and align with top of hinge.
 - Push plastic barbs through hex perf until fully engaged.



Note: Refer to IL159019EN - RS Enclosure door handles to change handle orientation.

DISCLAIMER OF WARRANTIES AND LIMITATION OF LIABILITY

The information, recommendations, descriptions and safety notations in this document are based on Eaton Corporation's ("Eaton") experience and judgment and may not cover all contingencies. If further information is required, an Eaton sales office should be consulted. Sale of the product shown in this literature is subject to the terms and conditions outlined in appropriate Eaton selling policies or other contractual agreement between Eaton and the purchaser.

THERE ARE NO UNDERSTANDINGS, AGREEMENTS, WARRANTIES, EXPRESSED OR IMPLIED, INCLUDING WARRANTIES OF FITNESS FOR A PARTICULAR PURPOSE OR MERCHANTABILITY, OTHER THAN THOSE SPECIFICALLY SET OUT IN ANY EXISTING CONTRACT BETWEEN THE PARTIES. ANY SUCH CONTRACT STATES THE ENTIRE OBLIGATION OF EATON. THE CONTENTS OF THIS DOCUMENT SHALL NOT BECOME PART OF OR MODIFY ANY CONTRACT BETWEEN THE PARTIES.

In no event will Eaton be responsible to the purchaser or user in contract, in tort (including negligence), strict liability or otherwise for any special, indirect, incidental or consequential damage or loss whatsoever, including but not limited to damage or loss of use of equipment, plant or power system, cost of capital, loss of power, additional expenses in the use of existing power facilities, or claims against the purchaser or user by its customers resulting from the use of the information, recommendations and descriptions contained herein. The information contained in this manual is subject to change without notice.

Eaton
1000 Eaton Boulevard
Cleveland, OH 44122
United States
Eaton.com

© 2018 Eaton
All Rights Reserved
Printed in USA
Publication No. IL159018EN
October 2018

Eaton is a registered trademark.

All trademarks are property
of their respective owners.

Follow us on social media to get the
latest product and support information.

