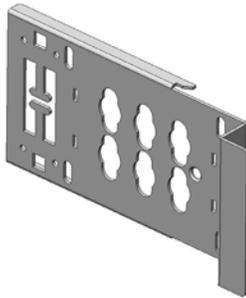
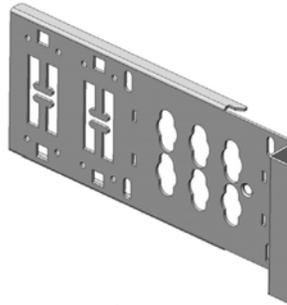


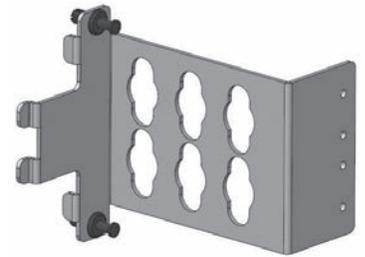
## RS PDU bracket installation



**PDU Standard**  
**RSPDUMTG**



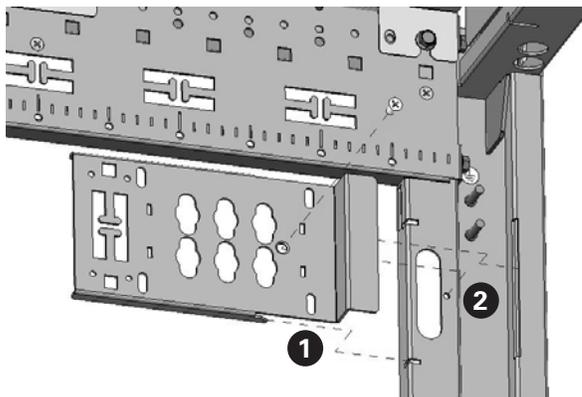
**PDU Extended**  
**RSPDULMTGX**



**PDU 90°**  
**RSPDU9MTGX**

The PDU brackets are multi-purpose brackets that can be used to mount Eaton's power distribution units (PDUs), provide mounting for Eaton's B-Line series Flextray™ wire basket and vertical cable managers (VCMs) and various cable management accessories. There are several versions of the brackets, for use in 600 mm and 800 mm enclosures. PDU brackets can be installed at several pre-determined locations on the enclosure corner posts and rack rails (800 mm only). The predefined positions are vertically spaced at 7U (12.25"). This spacing enables the brackets to be aligned to the typical spacing found on most PDUs. The factory pre-set spacing is 35U (61.25")

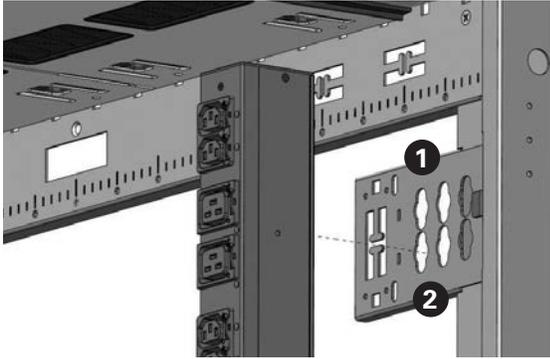
### How to install a PDU bracket



To install a PDU bracket:

- 1 Engage bracket ears into slots in cabinet corner post.
- 2 Secure with #6 screw.
- 3 Reverse to remove.

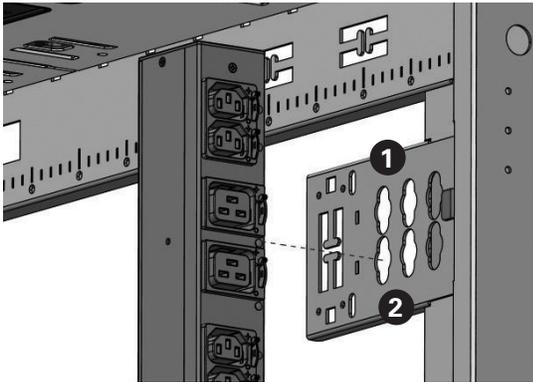
### Attaching a PDU- standard mounting



Ensure that vertical PDU bracket spacing matches requirements of your tool-less mounted PDU.

- 1 Engage PDU's mounting buttons into the "teardrop" holes in bracket.
- 2 Lower buttons into narrow end of holes.

### Attaching an Eaton ePDU- side mounting

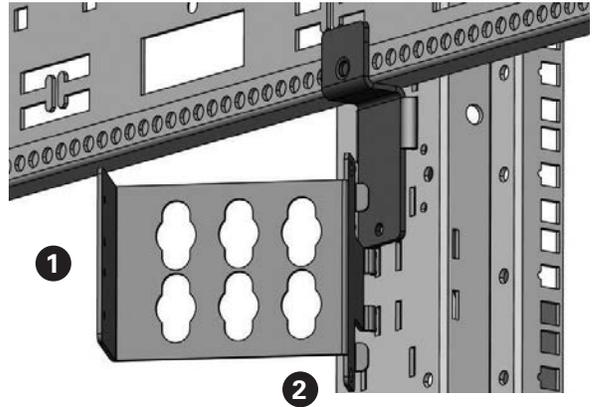


Eaton ePDUs have an option to move mounting buttons from rear of unit to side for additional mounting flexibility. Ensure that vertical PDU bracket spacing matches requirements of your tool-less mounted PDU.



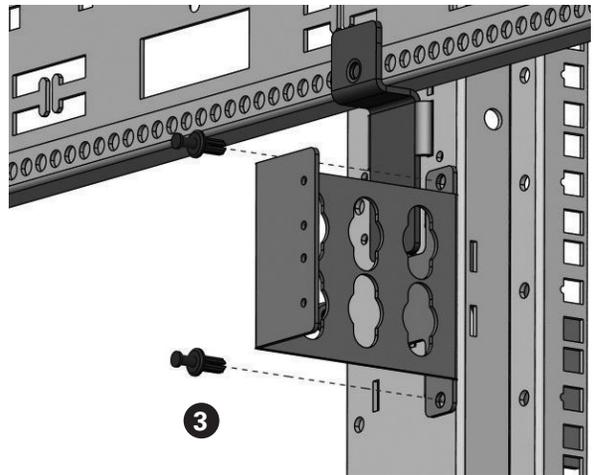
- 1 Engage PDUs mounting buttons into "teardrop" holes in bracket.
- 2 Lower buttons into narrow end of holes.

### PDU bracket (90°, 800 mm) plastic retainer mounting



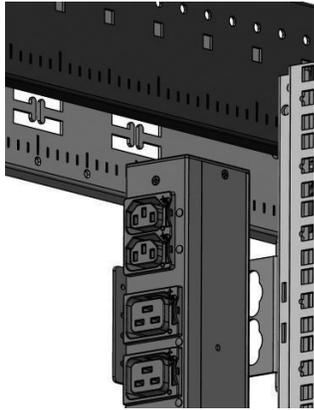
To install 90° PDU bracket to rack rail:

- 1 Insert tab and slots as shown.
- 2 Rotate flush, aligning all slots and tabs.

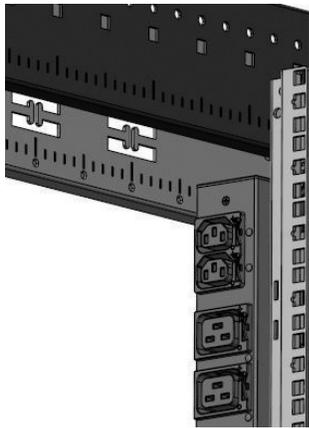


- 3 Secure 90° PDU bracket to rack rail utilizing two plastic retainers.

## Rail mounting options

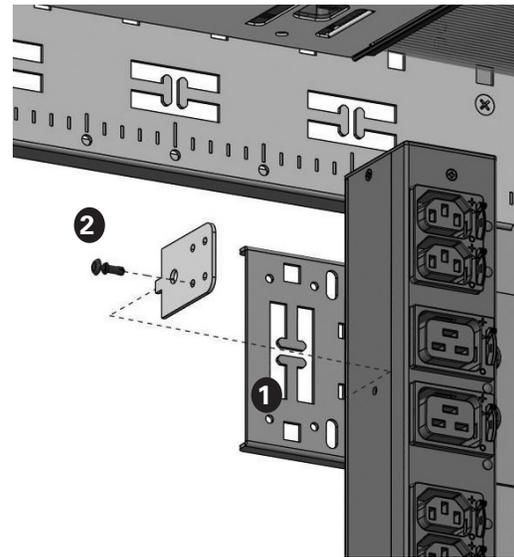


a. In front of rail



b. Behind rail, flush front

## ePDU Retainer



A tool-less retainer is available to lock Eaton's ePDUs into installed position.

- 1 Engage small tab on retainer into slot in PDU bracket, adjacent to ePDU.
- 2 Press retractable plastic buttons into the two holes in the ePDU.

### DISCLAIMER OF WARRANTIES AND LIMITATION OF LIABILITY

The information, recommendations, descriptions and safety notations in this document are based on Eaton Corporation's ("Eaton") experience and judgment and may not cover all contingencies. If further information is required, an Eaton sales office should be consulted. Sale of the product shown in this literature is subject to the terms and conditions outlined in appropriate Eaton selling policies or other contractual agreement between Eaton and the purchaser.

THERE ARE NO UNDERSTANDINGS, AGREEMENTS, WARRANTIES, EXPRESSED OR IMPLIED, INCLUDING WARRANTIES OF FITNESS FOR A PARTICULAR PURPOSE OR MERCHANTABILITY, OTHER THAN THOSE SPECIFICALLY SET OUT IN ANY EXISTING CONTRACT BETWEEN THE PARTIES. ANY SUCH CONTRACT STATES THE ENTIRE OBLIGATION OF EATON. THE CONTENTS OF THIS DOCUMENT SHALL NOT BECOME PART OF OR MODIFY ANY CONTRACT BETWEEN THE PARTIES.

In no event will Eaton be responsible to the purchaser or user in contract, in tort (including negligence), strict liability or otherwise for any special, indirect, incidental or consequential damage or loss whatsoever, including but not limited to damage or loss of use of equipment, plant or power system, cost of capital, loss of power, additional expenses in the use of existing power facilities, or claims against the purchaser or user by its customers resulting from the use of the information, recommendations and descriptions contained herein. The information contained in this manual is subject to change without notice.

**Eaton**  
1000 Eaton Boulevard  
Cleveland, OH 44122  
United States  
Eaton.com

© 2018 Eaton  
All Rights Reserved  
Printed in USA  
Publication No. IL159005EN  
October 2018

Eaton is a registered trademark.

All trademarks are property of their respective owners.