

RS Baying kit

The following covers how to join two or more enclosures together to create a continuous row of enclosures.

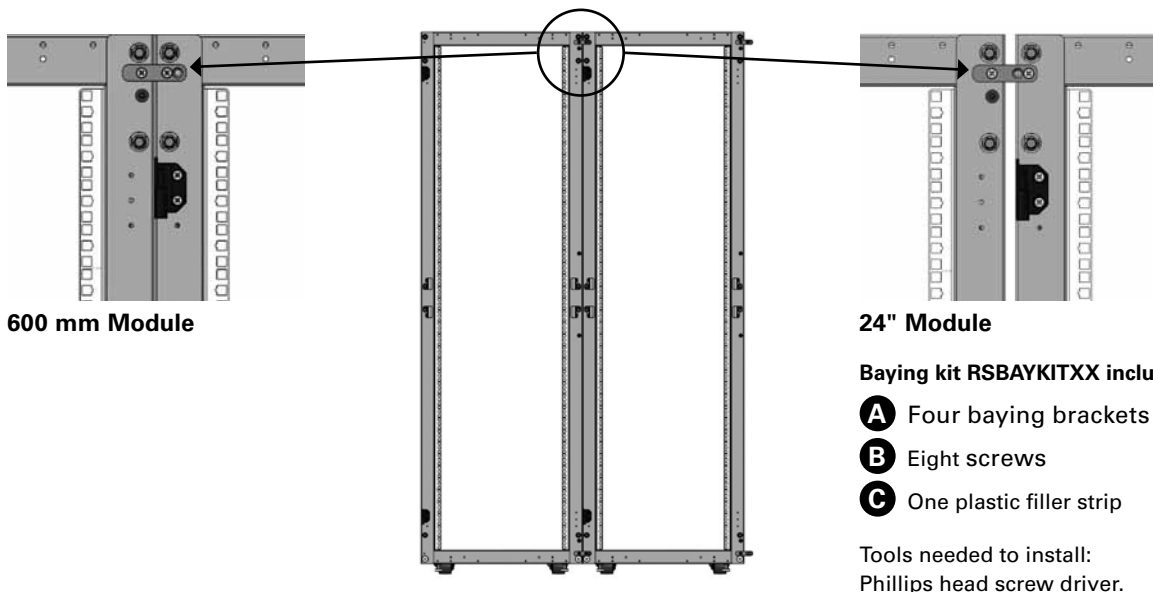
Using the supplied hardware, attach two brackets to the front, and two to the rear of the adjacent enclosures to join them together.

i NOTE

If side panels are desired on enclosures, they must be installed onto enclosures prior to positioning enclosures next to one another.

There are two alternate attachment positions on baying brackets. The alternate positions may be used when baying 600 mm wide enclosures together. One bracket position spaces the enclosures on a 24" (609.5 mm) module, allowing alignment with 24" floor tiles. The second position will join the cabinets directly on a 600 mm (23 $\frac{5}{8}$ ") module.

Using the 24" baying position will result in a $\frac{3}{8}$ " (9.5 mm) gap between enclosures. Use plastic filler strip included in RSBAYKIT to fill gap. Trim as needed.



DISCLAIMER OF WARRANTIES AND LIMITATION OF LIABILITY

The information, recommendations, descriptions and safety notations in this document are based on Eaton Corporation's ("Eaton") experience and judgment and may not cover all contingencies. If further information is required, an Eaton sales office should be consulted. Sale of the product shown in this literature is subject to the terms and conditions outlined in appropriate Eaton selling policies or other contractual agreement between Eaton and the purchaser.

THERE ARE NO UNDERSTANDINGS, AGREEMENTS, WARRANTIES, EXPRESSED OR IMPLIED, INCLUDING WARRANTIES OF FITNESS FOR A PARTICULAR PURPOSE OR MERCHANTABILITY, OTHER THAN THOSE SPECIFICALLY SET OUT IN ANY EXISTING CONTRACT BETWEEN THE PARTIES. ANY SUCH CONTRACT STATES THE ENTIRE OBLIGATION OF EATON. THE CONTENTS OF THIS DOCUMENT SHALL NOT BECOME PART OF OR MODIFY ANY CONTRACT BETWEEN THE PARTIES.

In no event will Eaton be responsible to the purchaser or user in contract, in tort (including negligence), strict liability or otherwise for any special, indirect, incidental or consequential damage or loss whatsoever, including but not limited to damage or loss of use of equipment, plant or power system, cost of capital, loss of power, additional expenses in the use of existing power facilities, or claims against the purchaser or user by its customers resulting from the use of the information, recommendations and descriptions contained herein. The information contained in this manual is subject to change without notice.



Eaton
1000 Eaton Boulevard
Cleveland, OH 44122
United States
Eaton.com

© 2016 Eaton
All Rights Reserved
Printed in USA
Publication No. IL159016EN
June 2016

Eaton is a registered trademark.

All trademarks are property
of their respective owners.

Follow us on social media to get the
latest product and support information.

