

# Distribution Frames

Eaton offers a range of cable grids and distribution frames to meet various telecommunications applications.

- **Cable grids** – feature light-weight, yet durable steel c-channel, and are design to support cable above equipment lineups, providing for the shortest pathway possible.
- **Distribution frames** - available in single-sided, double-sided and wall-mounted options, and includes terminal block mounting brackets, jumper rings and other accessories to help meet your application needs.

<b>Material:</b>	<b>Type</b>	<b>Thickness</b>	<b>Specifications</b>
	Steel Shapes	... 1/8" (3.2mm) - 3/8" (9.5mm)	ASTM A36
	Steel Strip	... .042 (1.0mm) -.135 (3.4mm)	ASTM A569/A570
	Steel Tube	... .060 (1.5mm)	ASTM A513
	Copper Bar		ASTM B187, B152
	Silicon Bronze		ASTM F468, F467, F651

**Finishes:**

Powder Coat Paint

- Telco Gray (TG) ..... ASTM D3451
- Flat Black (FB) ..... ASTM D3451
- Yellow Zinc (YZ) ..... ASTM B633



(TG)  
Telco Gray



(FB)  
Flat Black

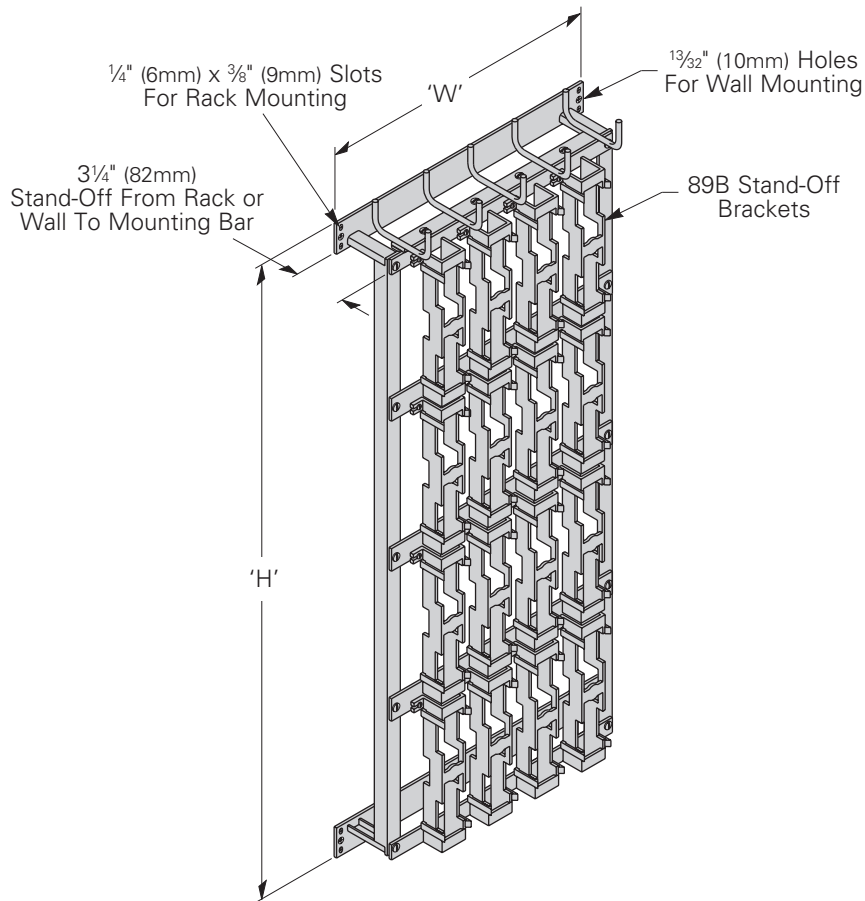


(YZ)  
Yellow Zinc

# Distribution Frames

## Wall/Rack Mounted Cross-Connect Frame

- Use to support 66M - Type Quick Connect Blocks
- Welded frame and jumper ring construction for added rigidity
- Fully assembled for fast installation
- Jumper space behind blocks
- Can be wall or rack mounted
- Shipped fully assembled
- Includes: 89B block stand-off brackets
- Material: ASTM A569 & A36 structural steel  
Nylon stand-off brackets
- Finish: Frame and jumper rings - black powder coat  
89B block stand-off brackets - natural

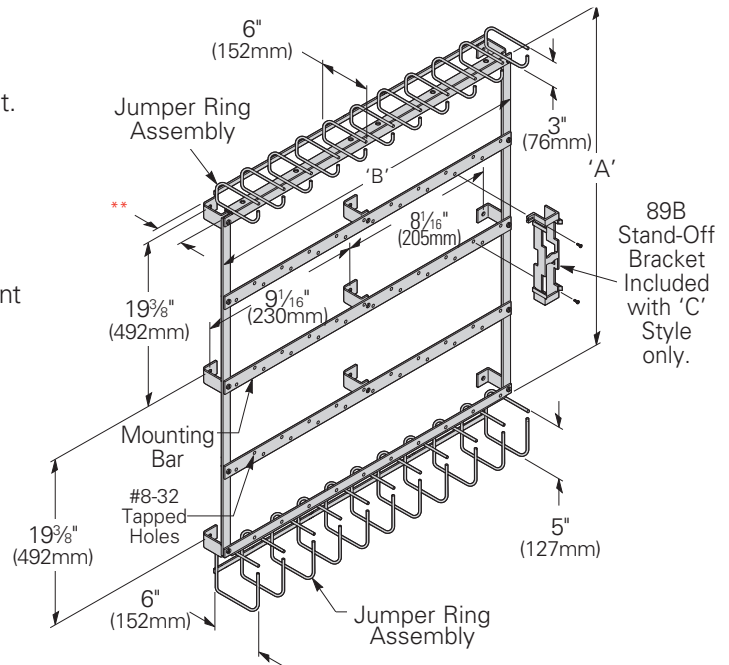


Part Number	Number of Block Spaces Row / Columns	Rack Width 'W'		'H'		Mounting Spaces Required	Weight	
		In.	(mm)	In.	(mm)		Lbs.	(kg)
<b>SB7200104B</b>	1 / 4	19"	(481)	12 1/2"	(317)	8	13	(5.9)
<b>SB7200105B</b>	1 / 5	23"	(584)	12 1/2"	(317)	8	15	(6.8)
<b>SB7200204B</b>	2 / 4	19"	(481)	21 1/4"	(540)	13	16	(7.2)
<b>SB7200205B</b>	2 / 5	23"	(584)	21 1/4"	(540)	13	19	(8.6)
<b>SB7200304B</b>	3 / 4	19"	(481)	31 3/4"	(806)	19	20	(9.1)
<b>SB7200305B</b>	3 / 5	23"	(584)	31 3/4"	(806)	19	21	(9.5)
<b>SB7200404B</b>	4 / 4	19"	(481)	42 1/4"	(1073)	25	24	(10.9)
<b>SB7200405B</b>	4 / 5	23"	(584)	42 1/4"	(1073)	25	27	(12.2)

# Distribution Frames

## Wall Mounted Cross-Connect Frame

- Use to support 66M - Type quick connect blocks
- "A" style assemblies do not include standoff bracket.  
"C" style assemblies include standoff brackets for 89B terminal blocks.
- "E" style assemblies include standoff brackets for 89D terminal blocks
- Shipped fully assembled
- Jumper rings provided for convenient wire management
- Material: ASTM A569 & A36  
Steel frame  
Steel jumper rings  
Nylon block stand-off brackets
- Finish: Frame - Yellow Zinc  
Jumper rings - Black Powder Coat  
89B block stand-off brackets - Natural



Part Number	'A'		'B'		Number of Block Spaces Rows / Columns	Weight	
	In.	(mm)	In.	(mm)		Lbs.	(kg)
SB7200204A	20"	(508)	16 3/4"	(425)	2 / 4	18.0	(8.1)
SB7200206A	20"	(508)	24 1/4"	(616)	2 / 6	22.0	(10.0)
SB7200210A	20"	(508)	39 1/8"	(994)	2 / 10	33.0	(14.9)
SB7200304A	30"	(762)	16 3/4"	(425)	3 / 4	21.0	(9.5)
SB7200306A	30"	(762)	24 1/4"	(616)	3 / 6	26.0	(11.8)
SB7200310A	30"	(762)	39 1/8"	(994)	3 / 10	38.0	(17.2)
SB7200404A	40"	(1016)	16 3/4"	(425)	4 / 4	25.0	(11.3)
SB7200406A	40"	(1016)	24 1/4"	(616)	4 / 6	30.0	(13.6)
SB7200410A	40"	(1016)	39 1/8"	(994)	4 / 10	44.0	(19.9)
SB7200204C	20"	(508)	16 3/4"	(425)	2 / 4	20.0	(9.1)
SB7200206C	20"	(508)	24 1/4"	(616)	2 / 6	25.0	(11.3)
SB7200210C	20"	(508)	39 1/8"	(994)	2 / 10	37.0	(16.8)
SB7200304C	30"	(762)	16 3/4"	(425)	3 / 4	24.0	(10.9)
SB7200306C	30"	(762)	24 1/4"	(616)	3 / 6	30.0	(13.6)
SB7200310C	30"	(762)	39 1/8"	(994)	3 / 10	44.0	(19.9)
SB7200404C	40"	(1016)	16 3/4"	(425)	4 / 4	29.0	(13.1)
SB7200406C	40"	(1016)	24 1/4"	(616)	4 / 6	35.0	(15.9)
SB7200410C	40"	(1016)	39 1/8"	(994)	4 / 10	52.0	(23.6)
SB7200204E	20"	(508)	16 3/4"	(425)	2 / 4	20.0	(9.1)
SB7200206E	20"	(508)	24 1/4"	(616)	2 / 6	25.0	(11.3)
SB7200210E	20"	(508)	39 1/8"	(994)	2 / 10	37.0	(16.8)
SB7200304E	30"	(762)	16 3/4"	(425)	3 / 4	24.0	(10.9)
SB7200306E	30"	(762)	24 1/4"	(616)	3 / 6	30.0	(13.6)
SB7200310E	30"	(762)	39 1/8"	(994)	3 / 10	44.0	(19.9)
SB7200404E	40"	(1016)	16 3/4"	(425)	4 / 4	29.0	(13.1)
SB7200406E	40"	(1016)	24 1/4"	(616)	4 / 6	35.0	(15.9)
SB7200410E	40"	(1016)	39 1/8"	(994)	4 / 10	52.0	(23.6)

Dimensions for SB7200410 Shown Above

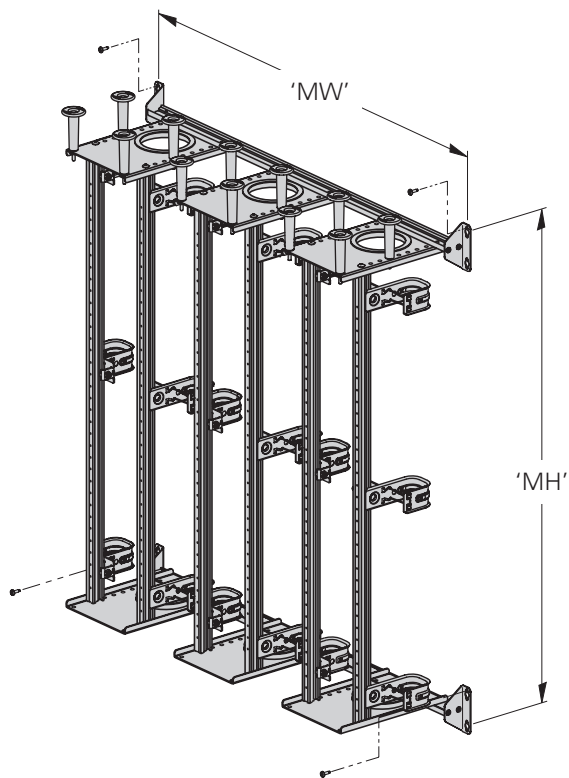
\*\* 3 3/16" (81mm) Stand-Off From Wall To Mounting Bar

# Distribution Frames

## Cross Connect Frame, 110 Block, Rack Module

- Distribution frame provides a means to support 110D telecommunication blocks for cross-connecting
- Provides adjustable horizontal and vertical wire management
- Frame will accommodate a variety of 110D block sizes
- Can be either wall or rack mounted
- Provided in three widths and three heights. The rack will accommodate 19" (482mm), 23" (584mm) or 35" (889mm) racks
- Shipped fully assembled
- Includes: Mounting screws for blocks and attachment hardware to rack
- Material: Aluminum alloy
- Finish \_\_\_\_: Aluminum - brushed (AL)  
Flat black powder coat (FB)  
Telco gray powder coat (TG)  
Other finishes are available upon request

SB7210303  
Shown

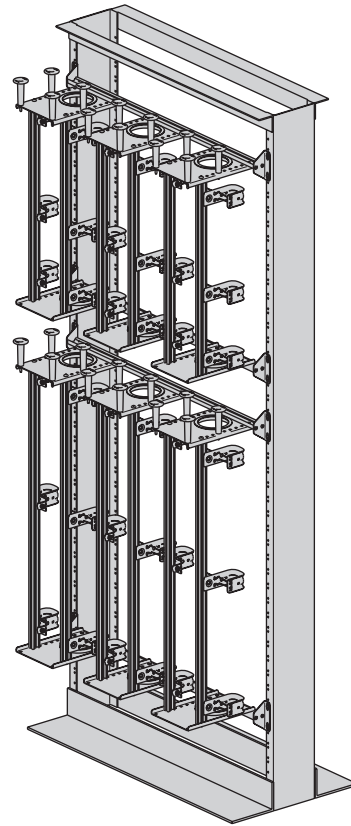


Part Number	'MW' Mtg. Width In. (mm)	'MH' Mtg. Height In. (mm)	Mtg. Spaces Req'd	# of Block Spaces Rows / Columns	# of Pairs	Weight Lbs. (kg)
SB7210101__	18 <sup>5</sup> / <sub>16</sub> " (465)	15 <sup>3</sup> / <sub>4</sub> " (400)	9	1 / 1	300	2.2 (1.0)
SB7210201__	18 <sup>5</sup> / <sub>16</sub> " (465)	28" (711)	16	2 / 1	600	2.9 (1.3)
SB7210301__	18 <sup>5</sup> / <sub>16</sub> " (465)	38 <sup>1</sup> / <sub>2</sub> " (978)	22	3 / 1	900	3.3 (1.5)
SB7210102__	22 <sup>5</sup> / <sub>16</sub> " (567)	15 <sup>3</sup> / <sub>4</sub> " (400)	9	1 / 2	600	3.9 (1.7)
SB7210202__	22 <sup>5</sup> / <sub>16</sub> " (567)	28" (711)	16	2 / 2	1200	5.3 (2.4)
SB7210302__	22 <sup>5</sup> / <sub>16</sub> " (567)	38 <sup>1</sup> / <sub>2</sub> " (978)	19	3 / 2	1800	6.0 (2.7)
SB7210103__	34 <sup>5</sup> / <sub>16</sub> " (871)	15 <sup>3</sup> / <sub>4</sub> " (400)	9	1 / 3	900	5.7 (2.6)
SB7210203__	34 <sup>5</sup> / <sub>16</sub> " (871)	28" (711)	16	2 / 3	1800	7.9 (3.6)
SB7210303__	34 <sup>5</sup> / <sub>16</sub> " (871)	38 <sup>1</sup> / <sub>2</sub> " (978)	25	3 / 3	2700	8.9 (4.0)

Specify part number and finish when ordering.

## Single Sided Rack Cross Connect Frame

- Distribution frame provides a means to support 110D telecommunication blocks for cross-connecting
- Provides adjustable horizontal and vertical wire management
- Frame will accommodate a variety of 110D block sizes
- Rack height: 84" (2133mm)
- Provided in three widths and three heights. The rack will accommodate 19" (482mm), 23" (584mm) or 35" (889mm) racks
- Cross-connect module shipped fully assembled. Equipment rack shipped unassembled
- Includes: Equipment rack, cross connect frames, and mounting screws for blocks
- Material: Aluminum alloy
- Finish \_\_: Aluminum - brushed (AL)  
Telco gray powder coat (TG)  
Other finishes are available upon request



SB72135S4500  
Shown

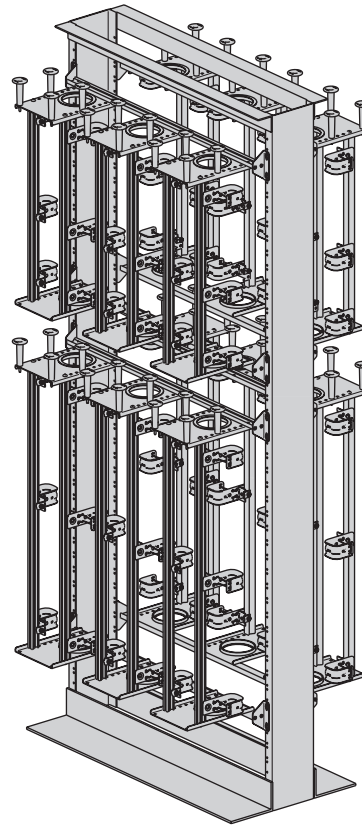
Part Number	Rack Width In. (mm)	# of Pairs	Weight	
			Lbs.	(kg)
SB72119S1200__	19" (482)	1200	60.6	(27.5)
SB72119S1500__	19" (482)	1500	54.8	(24.8)
SB72123S2400__	23" (584)	2400	78.4	(35.5)
SB72123S3000__	23" (584)	3000	69.1	(31.3)
SB72135S3600__	35" (889)	3600	103.4	(46.9)
SB72135S4500__	35" (889)	4500	90.1	(40.8)

Specify part number and finish when ordering.

# Distribution Frames

## Double Sided Rack Cross Connect Frame

- Distribution frame provides a means to support 110D telecommunication blocks for cross-connecting
- Provides adjustable horizontal and vertical wire management
- Frame will accommodate a variety of 110D block sizes
- Rack height: 84" (2133mm)
- Provided in three widths and three heights. The rack will accommodate 19" (482mm), 23" (584mm) or 35" (889mm) racks
- Cross-connect module shipped fully assembled. Equipment rack shipped unassembled
- Includes: Equipment rack, cross connect frames, and mounting screws for blocks
- Material: Aluminum alloy
- Finish \_\_\_: Aluminum - brushed (AL)  
Telco gray powder coat (TG)  
Other finishes are available upon request



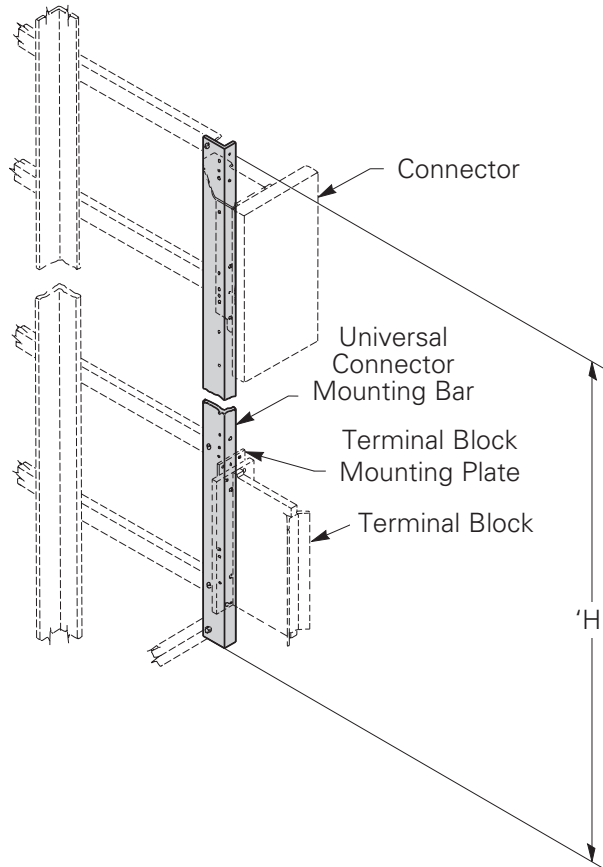
SB72135D9000  
Shown

Part Number	Rack Width		# of Pairs	Weight	
	In.	(mm)		Lbs.	(kg)
SB72119D2400__	19"	(482)	2400	80.2	(36.4)
SB72119D3000__	19"	(482)	3000	68.6	(31.1)
SB72123D4800__	23"	(584)	4800	112.8	(51.1)
SB72123D6000__	23"	(584)	6000	94.2	(42.7)
SB72135D7200__	35"	(889)	7200	153.8	(69.7)
SB72135D9000__	35"	(889)	9000	127.2	(57.7)

Specify part number and finish when ordering.

## Universal Connector Mounting Bar

- Use to mount vertical terminal blocks and various connectors to distribution frames (see below)
- Material: 1/8" aluminum
- Finish \_\_\_\_: Aluminum - brushed (AL)  
Other finishes are available upon request

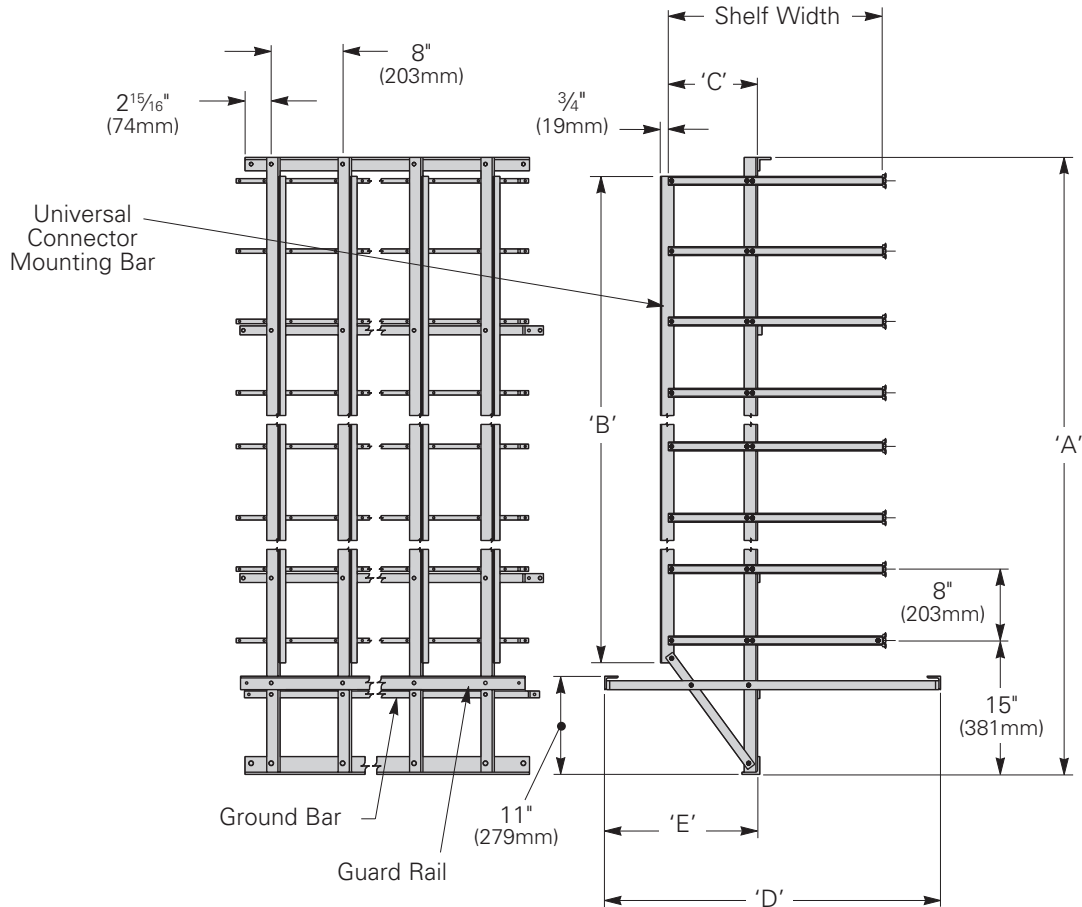


Part Number	Frame Size (No. of Shelves)	'H'		No. Terminal Blocks	C-303	R-700	C-310 R-710	C-377 R-355 C-388	Weight	
		In.	(mm)		Connector Capacity No. of Pairs of Protection				Lbs.	(kg)
SB65008	8	64"	(1625)	7	300	300	400	600	1.65	(0.75)
SB65009	9	71"	(1803)	8	300	300	500	600	1.83	(0.83)
SB65010	10	80"	(2032)	9	400	400	500	700	2.07	(0.94)
SB65011	11	86"	(2184)	10	400	400	600	800	2.22	(1.00)
SB65012	12	94"	(2387)	11	500	400	600	800	2.43	(1.10)
SB65013	13	100"	(2540)	12	500	500	700	900	2.58	(1.17)
SB65014	14	110"	(2794)	13	500	500	700	1000	2.84	(1.29)
SB65015	15	118"	(2997)	14	600	600	800	1000	3.01	(1.36)
SB65016	16	123"	(3124)	15	600	600	800	1100	3.18	(1.44)

# Distribution Frames

## Universal Distribution Frame - Double Sided

- Use to support terminal blocks for central office cross connects
- If the vertical terminal blocks are to be corner-mounted, SB658 terminal block mounting plate must be ordered separately
- End guards and grounding strap must be ordered separately
- Includes: frame, universal connector mounting bar, jumper rings, ground bar, guard rails and supports, terminal block mounting brackets and hardware
- Material: ASTM A36 structural steel
- Finish \_\_\_\_: Telco gray powder coat (TG)  
Other finishes are available upon request



### Part Number Legend

SB60x	Frame Height No. of Shelves	Number of Verticals (*)
Frame Type - Shelf Width	084 (8 shelves)	01 - 1 Vertical
	096 (10 shelves)	02 - 2 Verticals
	108 (12 shelves)	03 - 3 Verticals
602 - 18" (457mm)	120 (13 shelves)	04 - 4 Verticals
603 - 24" (609mm)	138 (16 shelves)	05 - 5 Verticals
604 - 30" (762mm)	140 (16 shelves)	06 - 6 Verticals
		07 - 7 Verticals
		08 - 8 Verticals
		09 - 9 Verticals
		10 - 10 Verticals
		11 (No Verticals, End Guards Only)
		[End guards for both sides included]
		12 (No Verticals, Junction Kit Only)

### Example: SB60209608

SB602 - [18" (457mm)]  
096 - [96" (2438mm) tall with 10 shelves]  
08 - [8 Verticals]



## Universal Distribution Frame - Double Sided *continued*

- Finish \_\_\_\_: Telco gray powder coat (TG)  
Other finishes are available upon request

Part Number	Frame Height 'A'		'B'		'C'		'D'		'E'		No. of Shelves
	In.	(mm)	In.	(mm)	In.	(mm)	In.	(mm)	In.	(mm)	
18" (457mm) Shelf Width											
SB602084(*)__	84"	(2133)	64"	(1625)	7"	(178)	31 $\frac{1}{8}$ "	(803)	14 $\frac{1}{8}$ "	(359)	8
SB602096(*)__	96"	(2438)	80"	(2032)	7"	(178)	31 $\frac{1}{8}$ "	(803)	14 $\frac{1}{8}$ "	(359)	10
SB602108(*)__	108"	(2743)	94"	(2387)	7"	(178)	31 $\frac{1}{8}$ "	(803)	14 $\frac{1}{8}$ "	(359)	12
SB602120(*)__	120"	(3048)	100"	(2540)	7"	(178)	31 $\frac{1}{8}$ "	(803)	14 $\frac{1}{8}$ "	(359)	13
SB602138(*)__	138"	(3505)	123"	(3124)	7"	(178)	31 $\frac{1}{8}$ "	(803)	14 $\frac{1}{8}$ "	(359)	16
SB602140(*)__	140"	(3556)	123"	(3124)	7"	(178)	31 $\frac{1}{8}$ "	(803)	14 $\frac{1}{8}$ "	(359)	16
24" (609mm) Shelf Width											
SB603084(*)__	84"	(2133)	64"	(1625)	10"	(254)	37 $\frac{1}{8}$ "	(955)	17 $\frac{1}{8}$ "	(447)	8
SB603096(*)__	96"	(2438)	80"	(2032)	10"	(254)	37 $\frac{1}{8}$ "	(955)	17 $\frac{1}{8}$ "	(447)	10
SB603108(*)__	108"	(2743)	94"	(2387)	10"	(254)	37 $\frac{1}{8}$ "	(955)	17 $\frac{1}{8}$ "	(447)	12
SB603120(*)__	120"	(3048)	100"	(2540)	10"	(254)	37 $\frac{1}{8}$ "	(955)	17 $\frac{1}{8}$ "	(447)	13
SB603138(*)__	138"	(3505)	123"	(3124)	10"	(254)	37 $\frac{1}{8}$ "	(955)	17 $\frac{1}{8}$ "	(447)	16
SB603140(*)__	140"	(3556)	123"	(3124)	10"	(254)	37 $\frac{1}{8}$ "	(955)	17 $\frac{1}{8}$ "	(447)	16
30" (762mm) Shelf Width											
SB604084(*)__	84"	(2133)	64"	(1625)	12"	(305)	43 $\frac{5}{8}$ "	(1108)	19 $\frac{1}{8}$ "	(486)	8
SB604096(*)__	96"	(2438)	80"	(2032)	12"	(305)	43 $\frac{5}{8}$ "	(1108)	19 $\frac{1}{8}$ "	(486)	10
SB604108(*)__	108"	(2743)	94"	(2387)	12"	(305)	43 $\frac{5}{8}$ "	(1108)	19 $\frac{1}{8}$ "	(486)	12
SB604120(*)__	120"	(3048)	100"	(2540)	12"	(305)	43 $\frac{5}{8}$ "	(1108)	19 $\frac{1}{8}$ "	(486)	13
SB604138(*)__	138"	(3505)	123"	(3124)	12"	(305)	43 $\frac{5}{8}$ "	(1108)	19 $\frac{1}{8}$ "	(486)	16
SB604140(*)__	140"	(3556)	123"	(3124)	12"	(305)	43 $\frac{5}{8}$ "	(1108)	19 $\frac{1}{8}$ "	(486)	16

Specify part number and finish when ordering.

\* See part number legend on page 346.

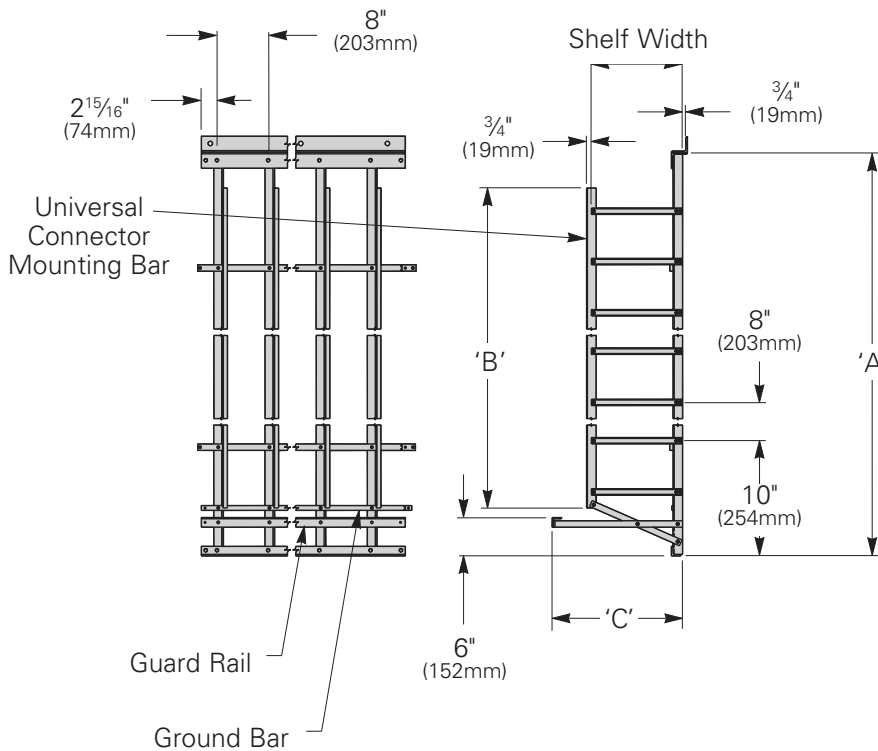
## Universal Connector Mounting Bar Capacity

Frame Size (No. of Shelves)	'B'		No. Terminal Blocks	C-303	R-700	C-310 R-710	C-377 R-355 C-388
				Connector Capacity			
	In.	(mm)		No. of Pairs of Protection			
8	64"	(1625)	7	300	300	400	600
10	80"	(2032)	9	400	400	500	700
12	94"	(2387)	11	500	400	600	800
13	100"	(2540)	12	500	500	700	900
16	123"	(3124)	15	600	600	800	1100

# Distribution Frames

## Universal Distribution Frame - Wall Mount

- Use to support terminal blocks for central office cross connects
- If the vertical terminal blocks are to be corner-mounted, SB658 terminal block mounting plate must be ordered separately
- End guards and grounding strap must be ordered separately
- Includes: frame, universal connector mounting bar, jumper rings, ground bar, guard rail, support and hardware
- Material: ASTM A36 structural steel
- Finish \_\_\_\_: Telco gray powder coat (TG)  
Other finishes are available upon request



### Part Number Legend

SB-6xx	Frame Height No. of Shelves	Number of Verticals (*)
Frame Type -	084 (9 shelves)	01 - 1 Vertical
Shelf Width	096 (11 shelves)	02 - 2 Verticals
615 - Wall Mount	108 (12 shelves)	03 - 3 Verticals
617 - Wall Mount	120 (14 shelves)	04 - 4 Verticals
	138 (16 shelves)	05 - 5 Verticals
	140 (16 shelves)	06 - 6 Verticals
		07 - 7 Verticals
		08 - 8 Verticals
		09 - 9 Verticals
		10 - 10 Verticals
		11 (No Verticals, End Guards Only) [End guards for both sides included]
		12 (No Verticals, Junction Kit Only)

**Example: SB61508406**

SB615 - [9 1/4" (235mm) Wide - Wall Mount]  
 084 - [84" (2133mm) tall with 9 shelves]  
 06 - [6 Verticals]

## Universal Distribution Frame - Wall Mount *continued*

- Finish \_\_\_: Telco gray powder coat (TG)  
Other finishes are available upon request

### Wall Mounted Frames

Part Number	Frame Height 'A' In. (mm)	'B' Dimension In. (mm)	'C' Dimension In. (mm)	No. of Shelves
9¼" (235mm) Shelf Width				
SB615084(*)__	84" (2133)	71" (1803)	16⅜" (416)	9
SB615096(*)__	96" (2438)	86" (2184)	16⅜" (416)	11
SB615108(*)__	108" (2743)	94" (2387)	16⅜" (416)	12
SB615120(*)__	120" (3048)	110" (2794)	16⅜" (416)	14
SB615138(*)__	138" (3505)	123" (3124)	16⅜" (416)	16
SB615140(*)__	140" (3556)	123" (3124)	16⅜" (416)	16
14¼" (362mm) Shelf Width				
SB617084(*)__	84" (2133)	71" (1803)	21⅜" (542)	9
SB617096(*)__	96" (2438)	86" (2184)	21⅜" (542)	11
SB617108(*)__	108" (2743)	94" (2387)	21⅜" (542)	12
SB617120(*)__	120" (3048)	110" (2794)	21⅜" (542)	14
SB617138(*)__	138" (3505)	123" (3124)	21⅜" (542)	16
SB617140(*)__	140" (3556)	123" (3124)	21⅜" (542)	16

Specify part number and finish when ordering.

\* See part number legend on page 348.

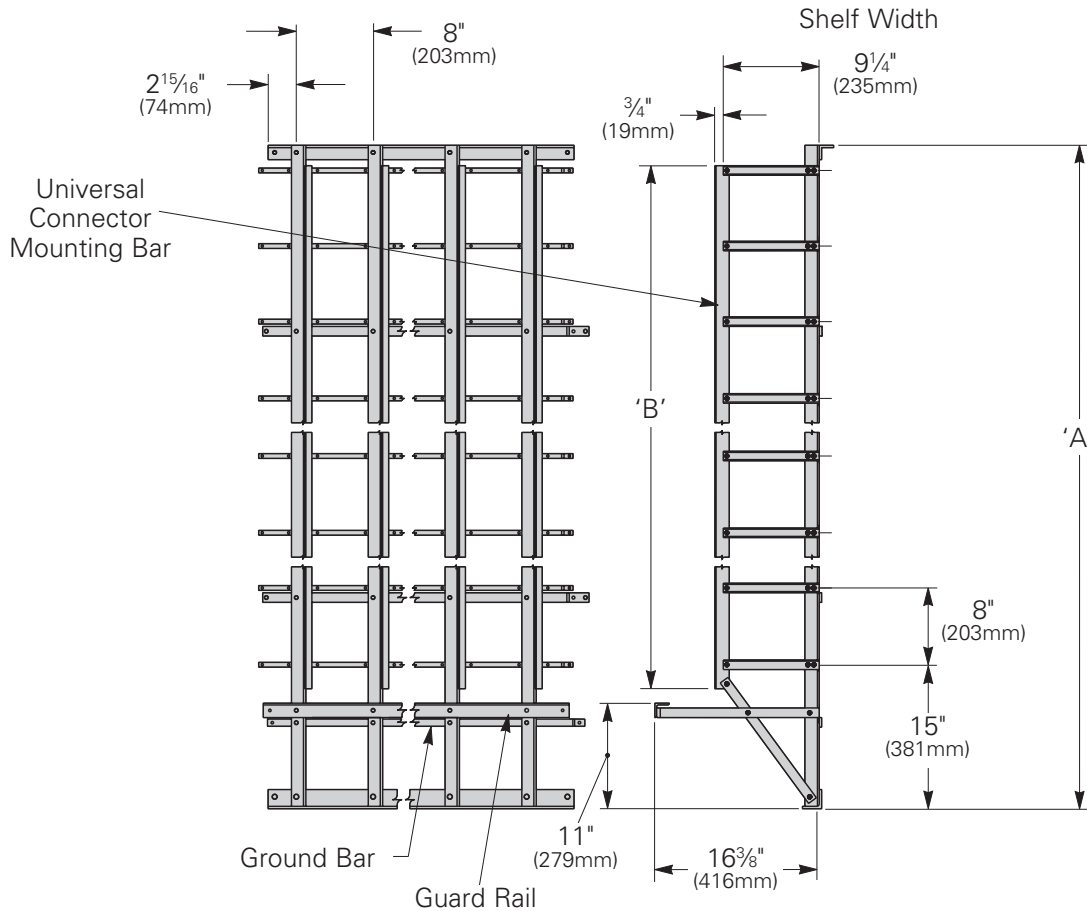
### Universal Connector Mounting Bar Capacity

Frame Size (No. of Shelves)	'B'		No. Terminal Blocks	C-303	R-700	C-310 R-710	C-377 R-355 C-388
	In.	(mm)					
9	71"	(1803)	8	300	300	500	600
11	86"	(2184)	10	400	400	600	800
12	94"	(2387)	11	500	400	600	800
14	110"	(2794)	13	500	500	700	1000
16	123"	(3124)	15	600	600	800	1100

# Distribution Frames

## Universal Distribution Frame - Single Sided

- Use to support terminal blocks for central office cross connects
- If the vertical terminal blocks are to be corner-mounted, SB658 terminal block mounting plate must be ordered separately
- End guards and grounding strap must be ordered separately
- Includes: frame, universal connector mounting bar, jumper rings, ground bar, guard rail, guard rail support, and hardware
- Material: ASTM A36 structural steel
- Finish \_\_\_\_: Telco gray powder coat (TG)  
Other finishes are available upon request



### Part Number Legend

SB-609	Frame Height No. of Shelves	Number of Verticals (*)
609 - 9 1/4" (235mm)	084	01 - 1 Vertical
	096	02 - 2 Verticals
	108	03 - 3 Verticals
	120	04 - 4 Verticals
	138	05 - 5 Verticals
	140	06 - 6 Verticals
		07 - 7 Verticals
		08 - 8 Verticals
	09 - 9 Verticals	
	10 - 10 Verticals	
	11 (No Verticals, End Guards Only)	
	12 (No Verticals, Junction Kit Only)	

### Example: SB60909608

SB609 - [9 1/4" (235mm)]  
 096 - [96" (2438mm) tall with 10 shelves]  
 08 - [8 Verticals]

## Universal Distribution Frame - Single Sided *continued*

- Finish \_\_\_: Telco gray powder coat (TG)  
Other finishes are available upon request

### Single Sided Frames

Part Number	Frame Height 'A'		'B' Dimension		No. of Shelves
	In.	(mm)	In.	(mm)	
9¼" (235mm) Shelf Width					
<b>SB609084(*)</b> __	84"	(2133)	64"	(1625)	8
<b>SB609096(*)</b> __	96"	(2438)	80"	(2032)	10
<b>SB609108(*)</b> __	108"	(2743)	94"	(2387)	12
<b>SB609120(*)</b> __	120"	(3048)	100"	(2540)	13
<b>SB609138(*)</b> __	138"	(3505)	123"	(3124)	16
<b>SB609140(*)</b> __	140"	(3556)	123"	(3124)	16

Specify part number and finish when ordering.

\* See Part Number Legend on page 350.

### Universal Connector Mounting Bar Capacity

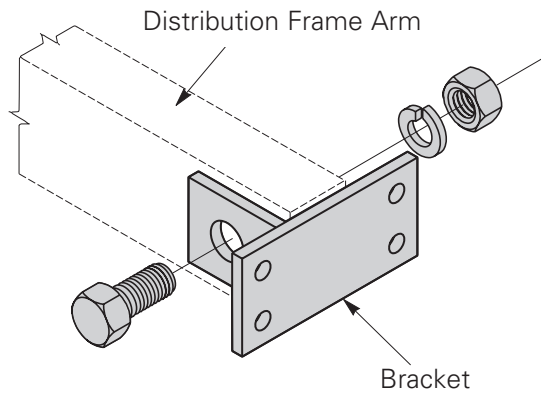
Frame Size (No. of Shelves)	'B'		No. Terminal Blocks	C-303	R-700	C-310 R-710	C-377 R-355 C-388
	In.	(mm)					
Connector Capacity No. of Pairs of Protection							
8	64"	(1625)	7	300	300	400	600
10	80"	(2032)	9	400	400	500	700
12	94"	(2387)	11	500	400	600	800
13	100"	(2540)	12	500	500	700	900
16	123"	(3124)	15	600	600	800	1100

# Distribution Frames

## Terminal Block Mounting Bracket

- Use to mount terminal blocks vertically or horizontally to distribution frame arms
- Includes: 5/16"-18 hardware
- Material: ASTM A570 structural steel
- Finish \_\_\_\_: Telco gray powder coat (TG)  
Other finishes are available upon request

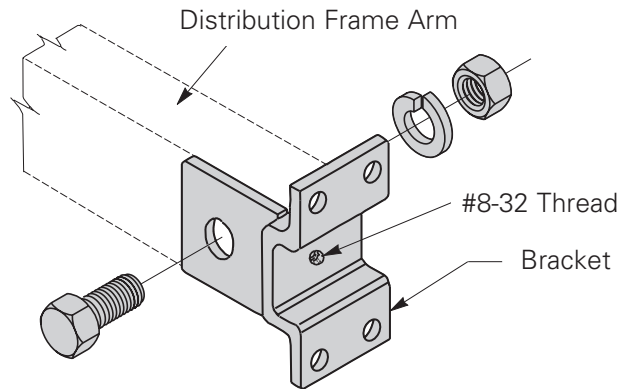
### Vertical Mounting Bracket



Part Number	Weight	
	Lbs.	(kg)
<b>SB656</b> __	0.10	(0.04)

Specify part number and finish when ordering.

### Horizontal Mounting Bracket

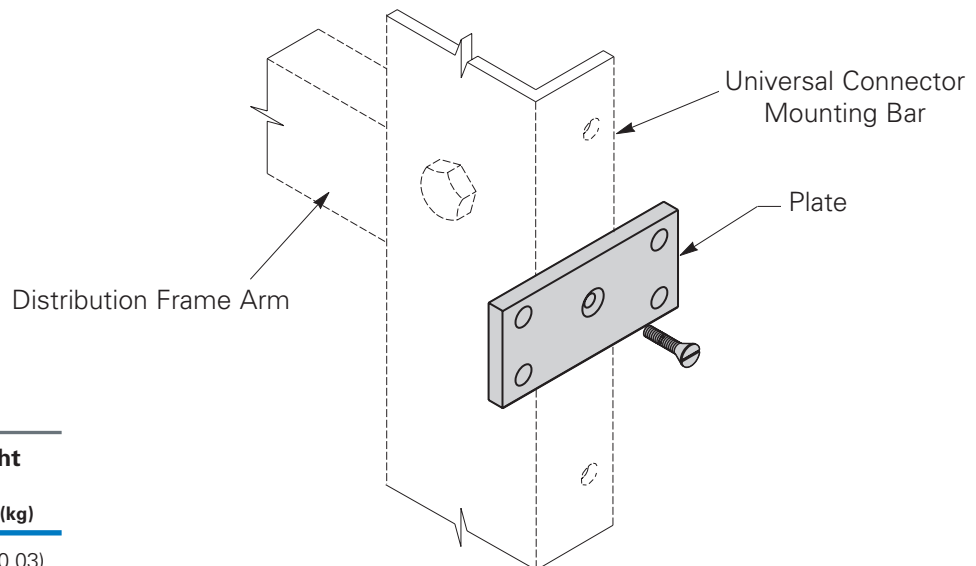


Part Number	Weight	
	Lbs.	(kg)
<b>SB657</b> __	0.95	(0.43)

Specify part number and finish when ordering.

## Terminal Block Mounting Plate

- Use to mount terminal blocks vertically to universal connector mounting bar
- Includes: #8-32 hardware
- Material: ASTM A570 structural steel
- Finish \_\_\_\_: Telco gray powder coat (TG)  
Other finishes are available upon request

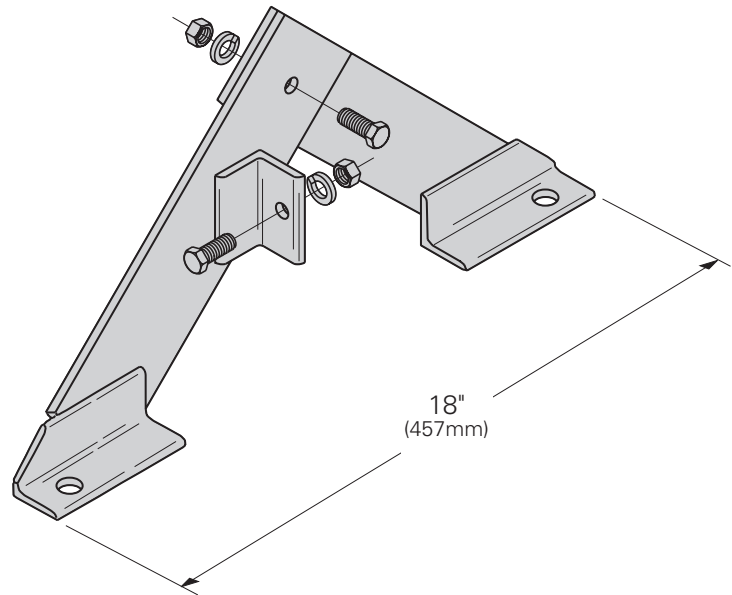
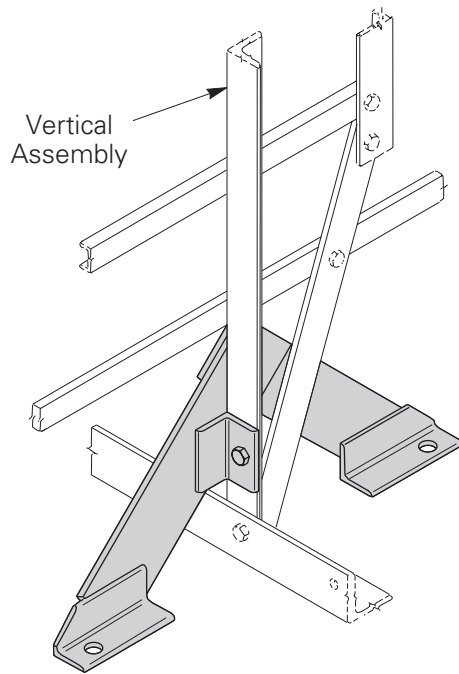


Part Number	Weight	
	Lbs.	(kg)
<b>SB658</b> __	0.06	(0.03)

Specify part number and finish when ordering.

## Floor Brace

- Use to brace distribution frame vertically
- Welded construction increases stability of single or double sided frames
- Includes:  $\frac{3}{8}$ "-16 mounting hardware
- Material: ASTM A36 structural steel
- Finish \_\_\_\_: Telco gray powder coat (TG)  
Other finishes are available upon request



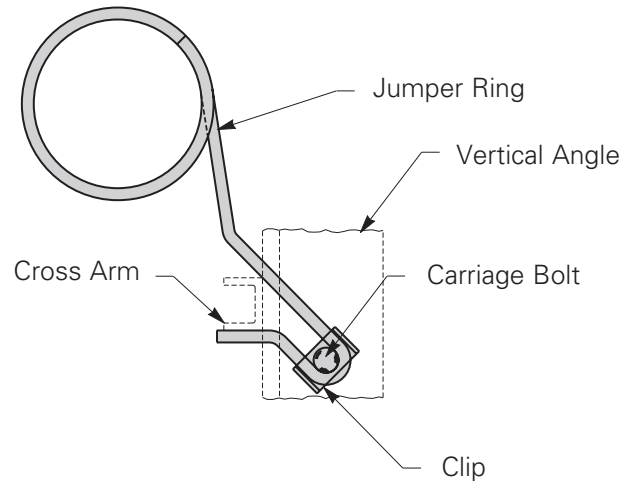
Part Number	Distribution Frame Verticals	Floor Braces	Weight	
			Lbs.	(kg)
SB67001__	1	1	6.25	(2.83)
SB67002__	2	2	12.50	(5.67)
SB67003__	3	2	12.50	(5.67)
SB67004__	4	2	12.50	(5.67)
SB67005__	5	3	18.75	(8.50)
SB67006__	6	3	18.75	(8.50)
SB67007__	7	3	18.75	(8.50)
SB67008__	8	4	25.00	(11.34)
SB67009__	9	4	25.00	(11.34)
SB67010__	10	4	25.00	(11.34)

Specify part number and finish when ordering.

# Distribution Frames

## 3½"(89mm) Single Jumper Ring

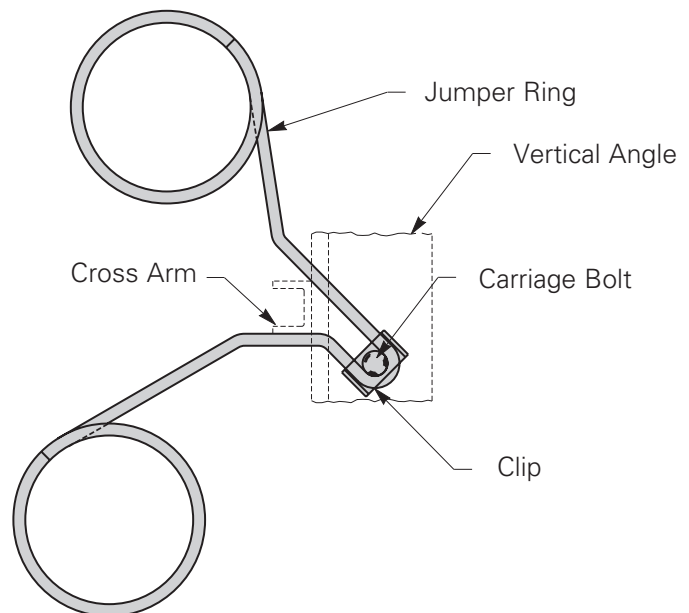
- Use to organize and support cross connect wiring
- Includes: ring, clip and ¼"-20 hardware
- Material: alloy steel
- Finish \_\_\_\_: Yellow zinc (YZ)  
Other finishes are available upon request



Part Number	Weight	
	Lbs.	(kg)
<b>SB660</b>	0.34	(0.15)

## 3½"(89mm) Double Jumper Ring

- Use to organize and support cross connect wiring
- Includes: ring, clip and ¼"-20 hardware
- Material: alloy steel
- Finish \_\_\_\_: Yellow zinc (YZ)  
Other finishes are available upon request

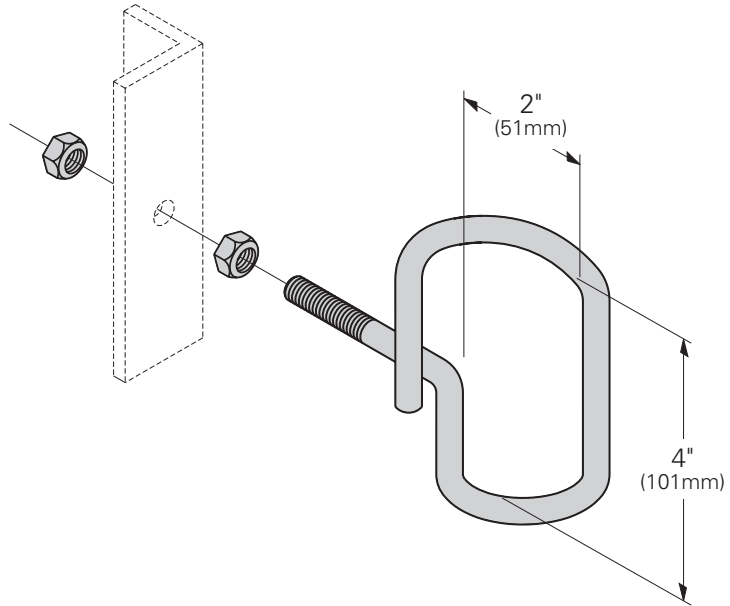


Part Number	Weight	
	Lbs.	(kg)
<b>SB661</b>	0.54	(0.24)



## Jumper Ring

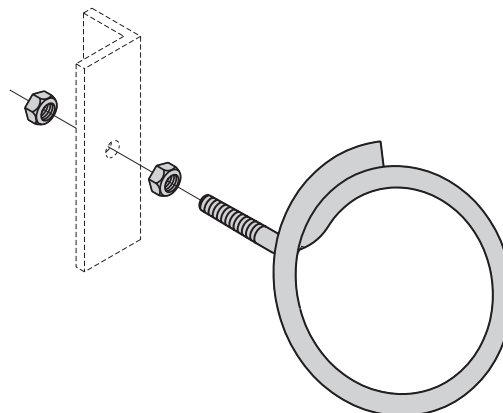
- Use to organize and support cross connect wiring
- Includes: ring and (2) ¼"-20 hex nuts
- Material: alloy steel
- Finish \_\_\_\_: Yellow zinc (YZ)  
Other finishes are available upon request



Part Number	Weight	
	Lbs.	(kg)
SB662	0.19	(0.08)

## 3" (76mm) Jumper Ring

- Use to organize and support cross connect wiring
- Includes: ring and (2) ¼"-20 hex nuts
- Material: alloy steel
- Finish \_\_\_\_: Yellow zinc (YZ)  
Other finishes are available upon request

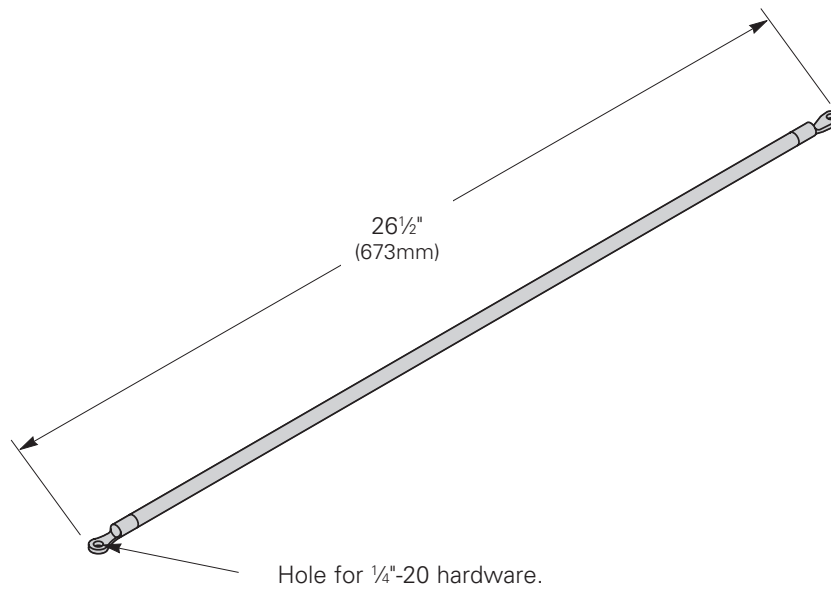


Part Number	Weight	
	Lbs.	(kg)
SB663	0.31	(0.14)

# Distribution Frames

## Grounding Strap

- Use to provide grounding path between the lowest main frame connector and frame ground bar
- Includes: Cable with crimped lugs
- Lug holes for ¼"-20 hardware
- Material: Plastic-insulated flexible #6 copper cable



Part Number	Weight Each	
	Lbs.	(kg)
SB668	0.27	(0.12)