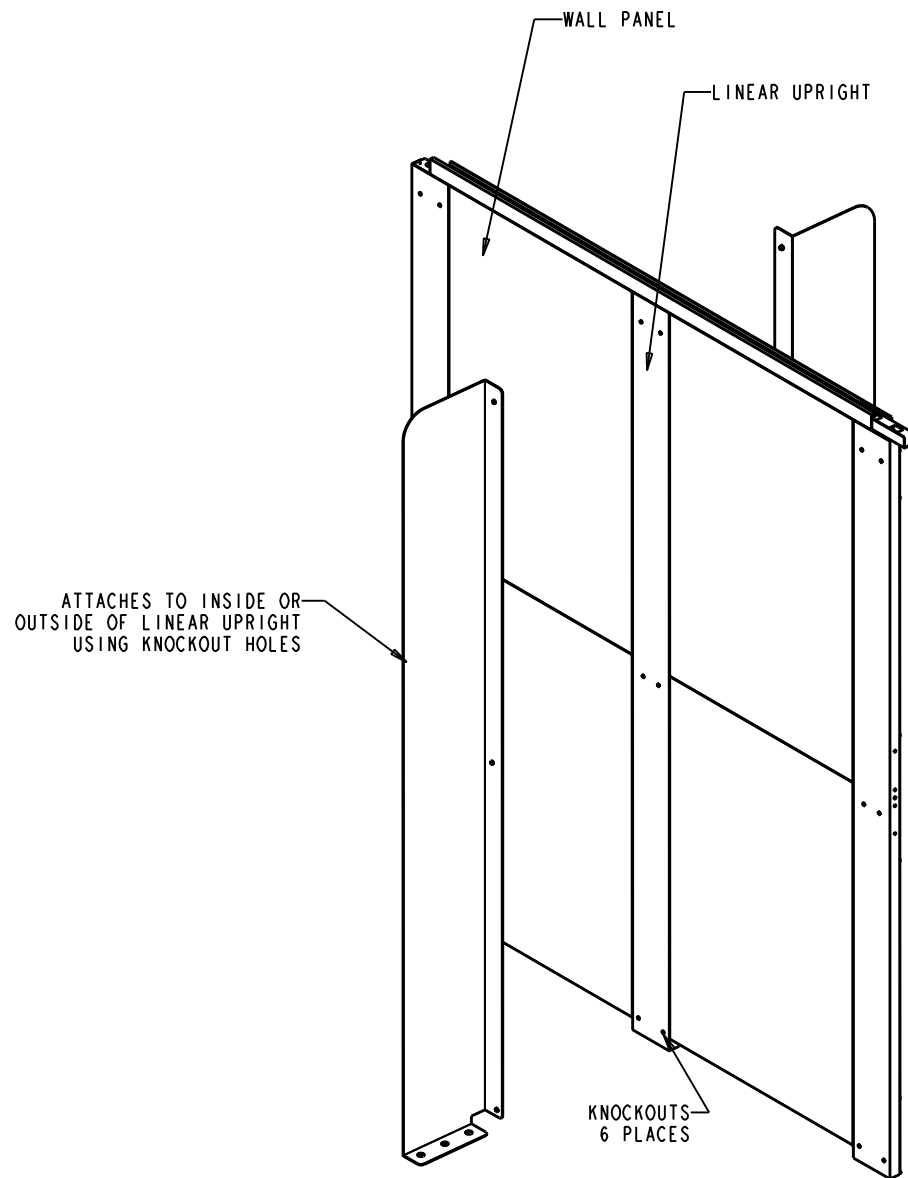
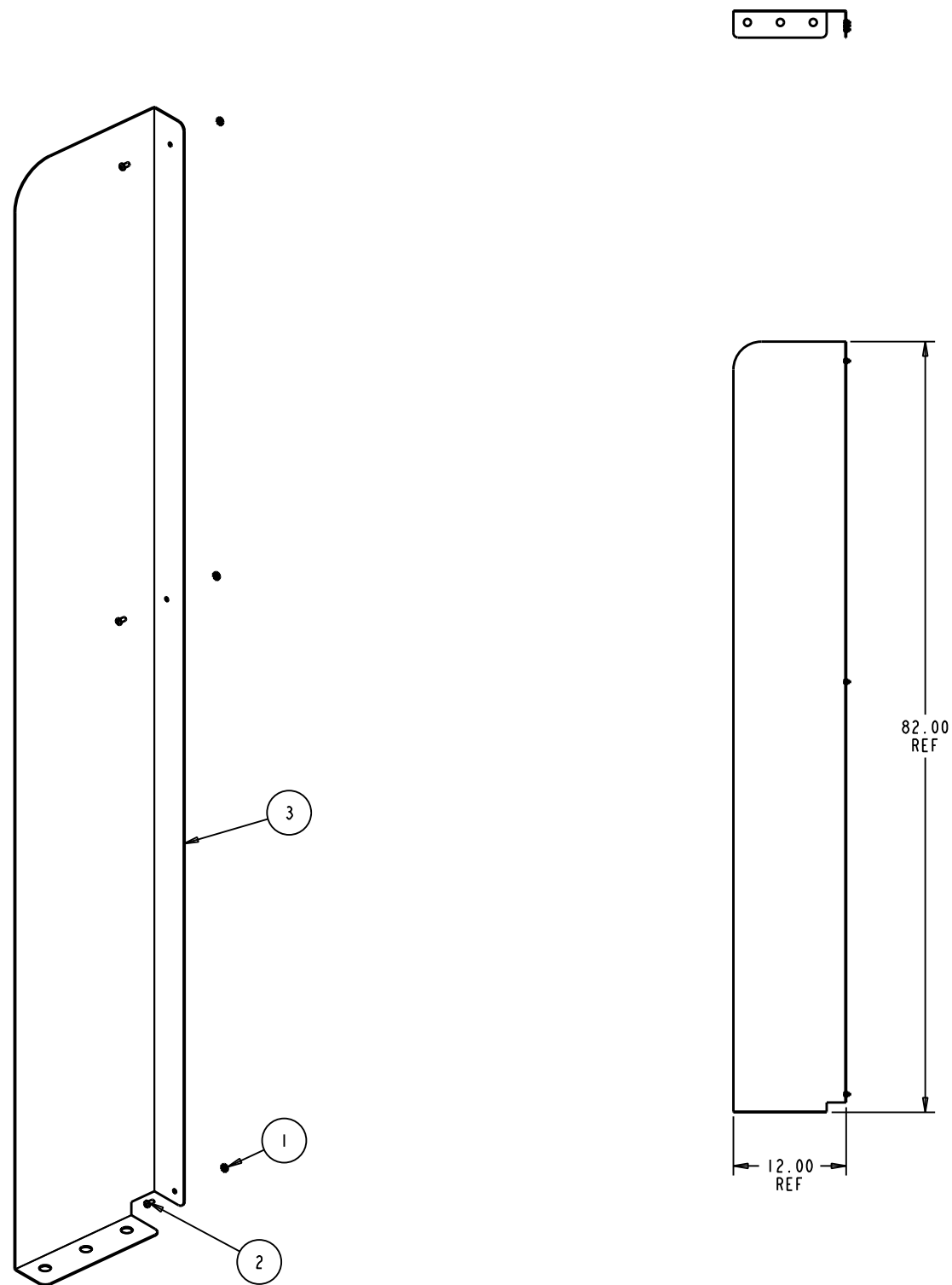


RELEASE STATUS
Production



3	SM	26621X	WALL SIDE SUPPORT - 7' H, CAGE	1
2	CP	82703	SCREW-1/4-20 X 1/2" BTNHD	3
1	CP	18209	KEP NUT, HEX, 1/4-20 NICKEL	3
ITEM	TYPE	DOCUMENT #	DESCRIPTION	QTY

THIS DRAWING CONTAINS PROPRIETARY INFORMATION AND IS LOANED SUBJECT TO RETURN UPON DEMAND AND UPON THE EXPRESS CONDITION THAT IT WILL NOT BE USED IN ANY WAY DETRIMENTAL TO THE INTEREST OF EATON CORPORATION

DESIGNED BY: D Nelson
DATE: 06/20/12

DESIGN MGMT SITE: Worcester

DRAWN IN THIRD ANGLE PROJECTION

TOLERANCE UNLESS SPEC'D
XX ± .02
.XXX ± .005
< ± .1"

ALL DIMENSIONS IN INCHES

CAGE NUMBER: 81824
ORIG EPR: EPR123633

DES. BY: D Nelson
DATE: 06/20/12

DRWN. BY: D Nelson
DATE: 06/20/12

PROD. GRP: 30 Cages

COLOR: -

CRS GA: N/A

MATERIAL: SEE NOTES

MATERIAL FINISH: Powder Coat - Variable

SPEC #: -

EATON

SIDE SUPPORT - 7' H CAGE

SHEET: 1 OF 1
REV DATE: -

D SSWSS07 REV -

-	-	-	PRODUCTION RELEASE	EPR123633
REV	REV. DATE	REV'D BY	CURRENT REVISION DESCRIPTION	ECN OR EPR NUMBER