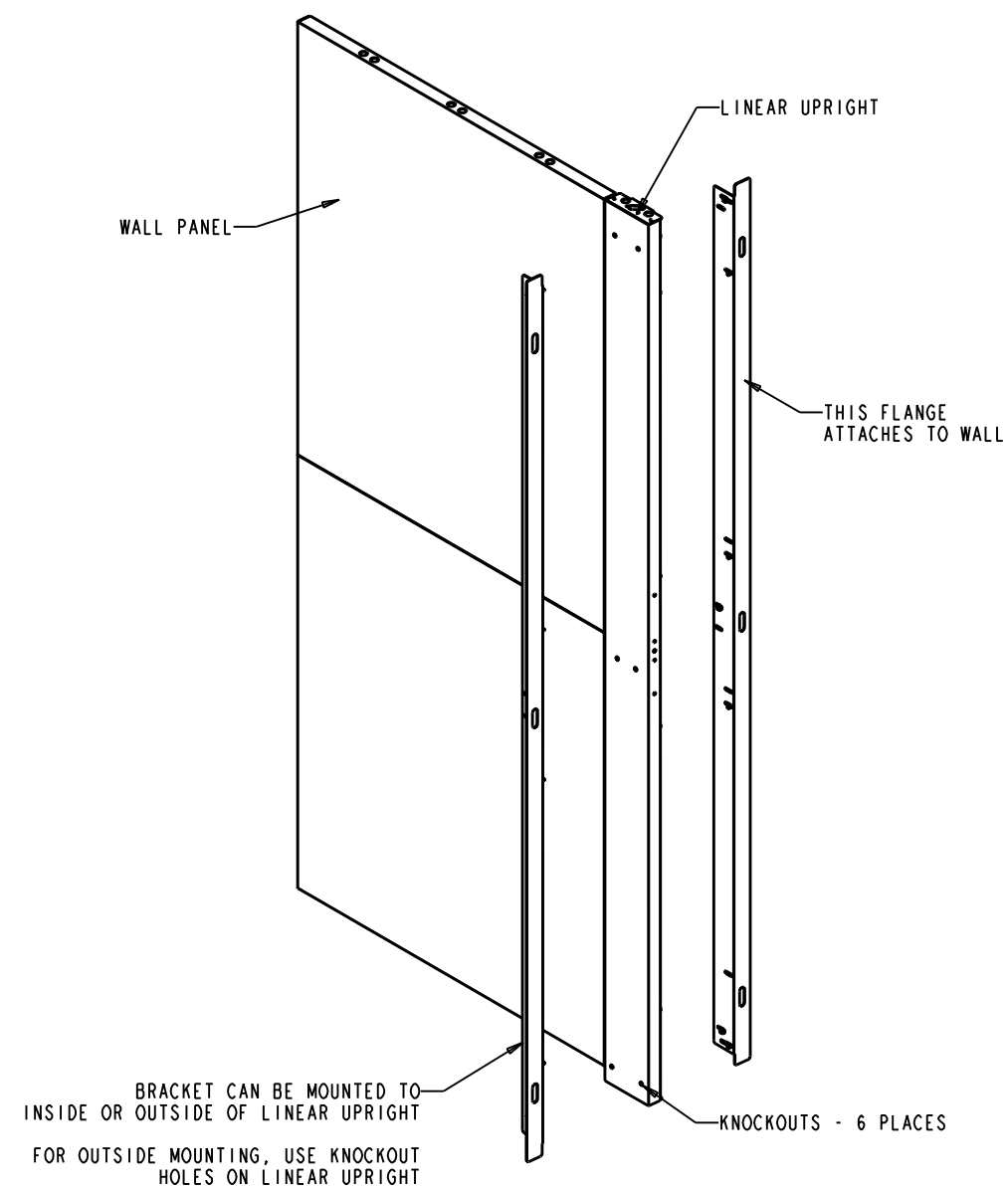
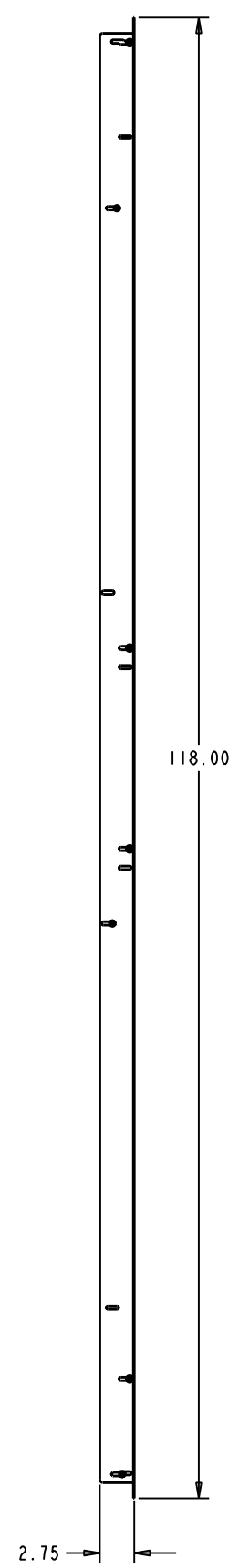
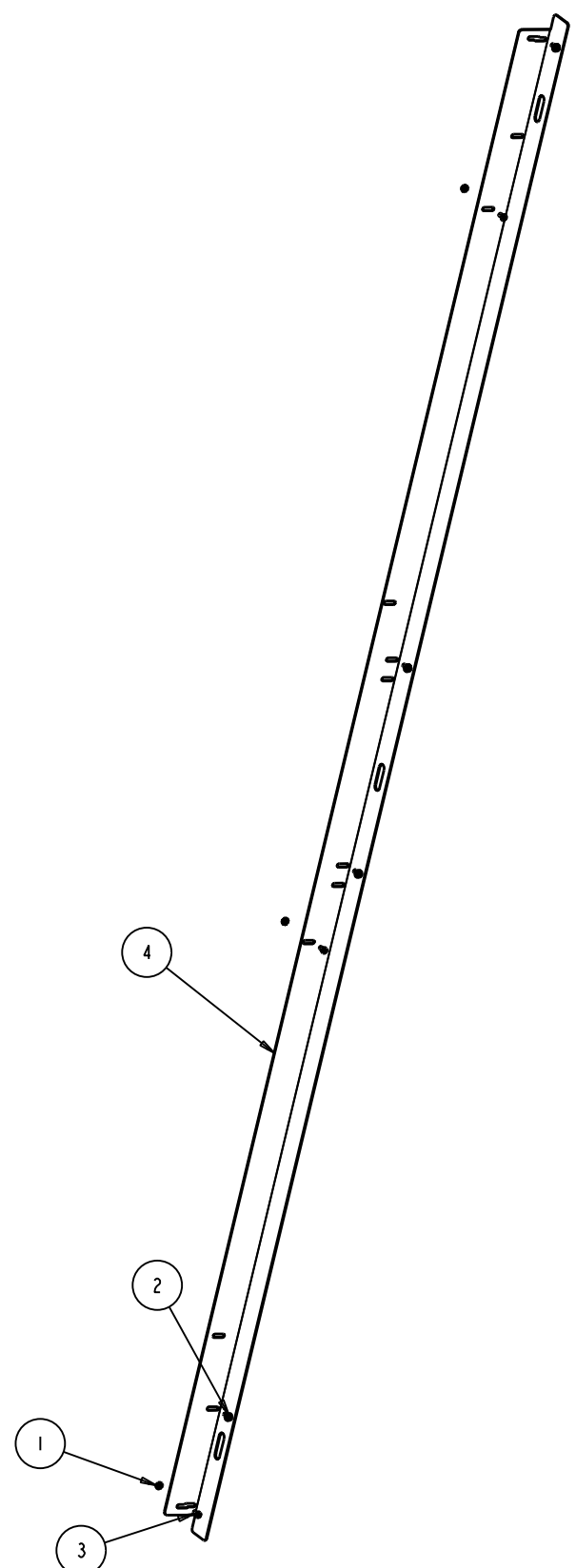


RELEASE STATUS
Production



NOTE:

- 1. SHIPPING WEIGHT: 11 LBS
- 2. DO NOT ASSEMBLE - BAG ALL HARDWARE

| ITEM | TYPE | DOCUMENT # | DESCRIPTION | QTY |
|------|------|------------|-------------------------------|-----|
| 4 | SM | 28366X | WALL MOUNT BKT - 10' H, CAGE | 1 |
| 3 | CP | 82703 | SCREW-1/4-20 X 1/2" BTNHD | 3 |
| 2 | CP | 54348 | SCREW, 1/4-20X1/2 HEX WSHR HD | 4 |
| 1 | CP | 18209 | KEP NUT, HEX, 1/4-20 NICKEL | 3 |

THIS DRAWING CONTAINS PROPRIETARY INFORMATION AND IS LOANED SUBJECT TO RETURN UPON DEMAND AND UPON THE EXPRESS CONDITION THAT IT WILL NOT BE USED IN ANY WAY DETRIMENTAL TO THE INTEREST OF EATON CORPORATION

DRAWN IN THIRD ANGLE PROJECTION

TOLERANCE UNLESS SPEC'D
 .XX ± .02
 .XXX ± .005
 < ± 1°
 ALL DIMENSIONS IN INCHES

CAGE NUMBER: 81824
 ORIG EPR: EPRI23822
 DES. BY: D Nelson 01/22/13
 DRWN. BY: D Nelson 01/22/13
 DESIGN MGMT SITE: Worcester
 PROD. GRP: 30 Cages
 COLOR: -
 MATERIAL: CRS GA: N/A
 OTHER: SEE NOTES
 MATERIAL FINISH: Powder Coat - Variable
 SPEC #: -

EATON

WALL MOUNT END BRACKET - 10' H, CAGE

SHEET: 1 OF 1 REV DATE: -

D SSENDBKT10 REV -

| REV | REV. DATE | REV'D BY | CURRENT REVISION DESCRIPTION | ECN OR EPR NUMBER |
|-----|-----------|----------|------------------------------|-------------------|
| - | - | - | PRODUCTION RELEASE | EPRI23822 |