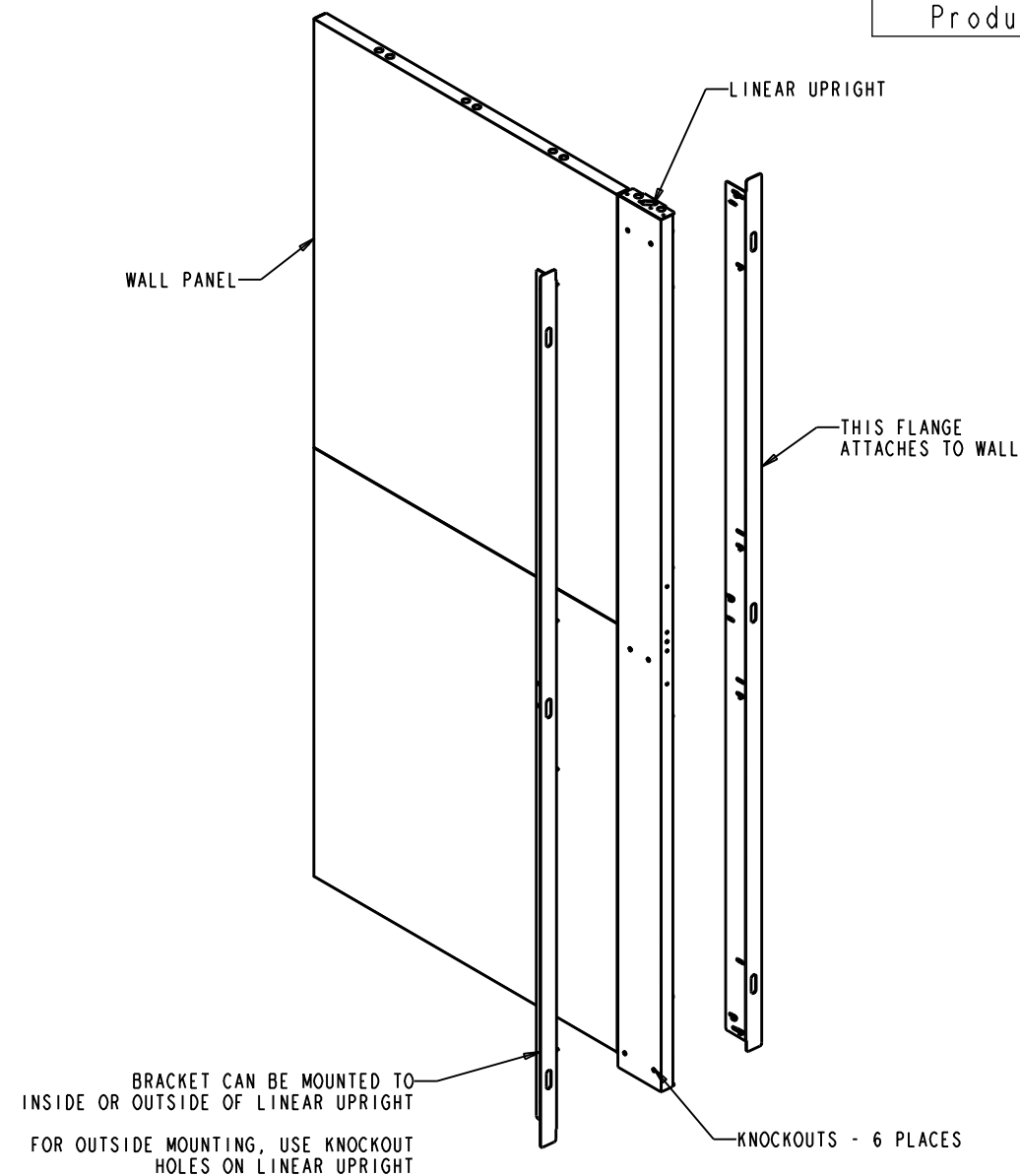
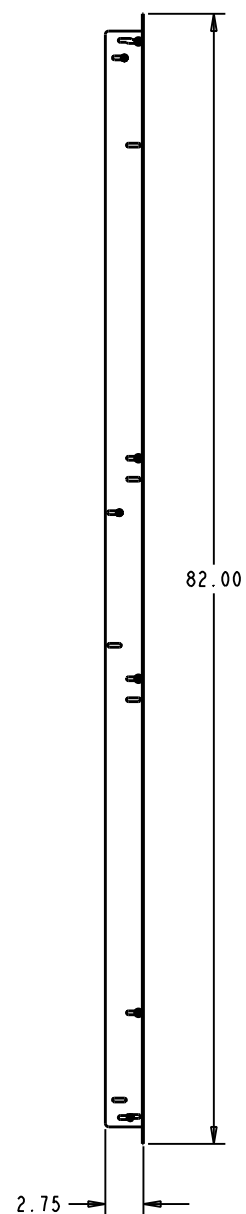
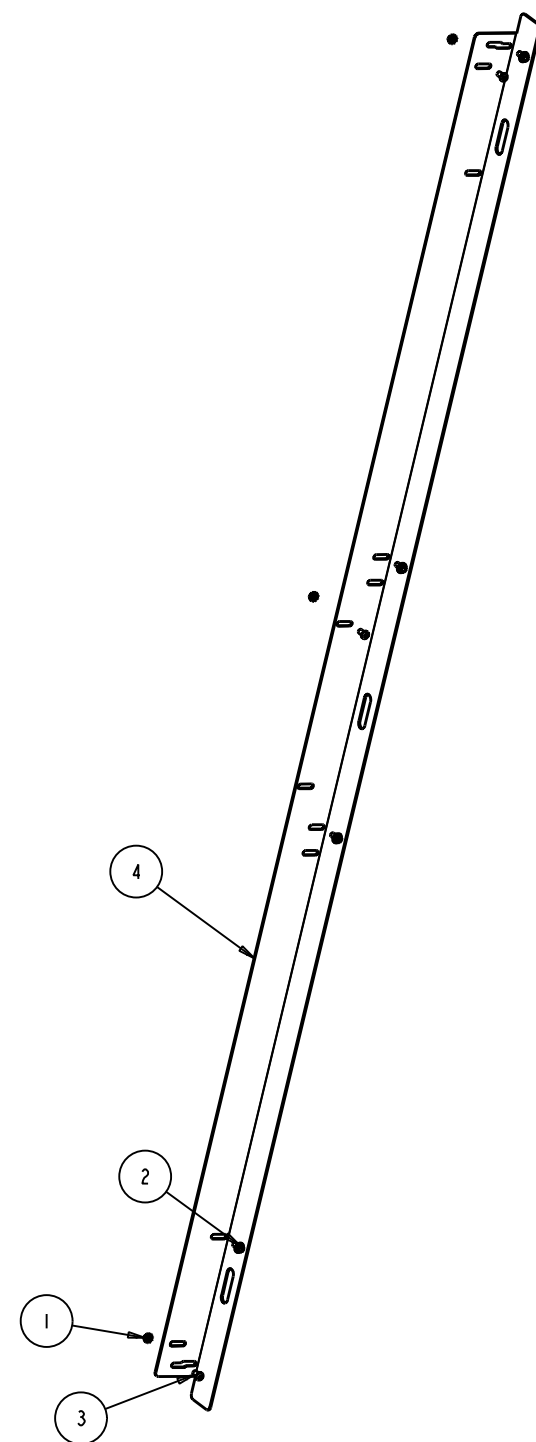


RELEASE STATUS
Production



NOTE:

1. SHIPPING WEIGHT: 9 LBS
2. DO NOT ASSEMBLE - BAG ALL HARDWARE

ITEM	TYPE	DOCUMENT #	DESCRIPTION	QTY
4	SM	26632X	WALL MOUNT BKT - 7' H, CAGE	1
3	CP	82703	SCREW-1/4-20 X 1/2" BTNHD	3
2	CP	54348	SCREW, 1/4-20X1/2 HEX WSHR HD	4
1	CP	18209	KEP NUT, HEX, 1/4-20 NICKEL	3

THIS DRAWING CONTAINS PROPRIETARY INFORMATION AND IS LOANED SUBJECT TO RETURN UPON DEMAND AND UPON THE EXPRESS CONDITION THAT IT WILL NOT BE USED IN ANY WAY DETRIMENTAL TO THE INTEREST OF EATON CORPORATION

DRAWN IN THIRD ANGLE PROJECTION

TOLERANCE UNLESS SPEC'D
 .XX ± .02
 .XXX ± .005
 < ± 1°
 ALL DIMENSIONS IN INCHES

CAGE NUMBER: 81824
 ORIG EPR: EPRI23633
 DES. BY: D Nelson 06/25/12
 DRWN. BY: D Nelson 06/25/12
 DESIGN MGMT SITE: Worcester
 PROD. GRP: 30 Cages
 COLOR: -
 MATERIAL: CRS GA: N/A
 OTHER: SEE NOTES
 MATERIAL FINISH: Powder Coat - Variable
 SPEC #: -

EATON

WALL MOUNT END BRACKET - 7' H, CAGE

SHEET: 1 OF 1
 REV DATE: -
 D SSENDBKTO7 REV -

REV	REV. DATE	REV'D BY	CURRENT REVISION DESCRIPTION	ECN OR EPR NUMBER
-	-	-	PRODUCTION RELEASE	EPRI23633