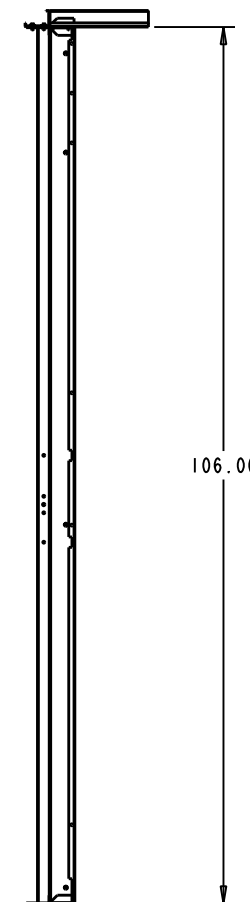
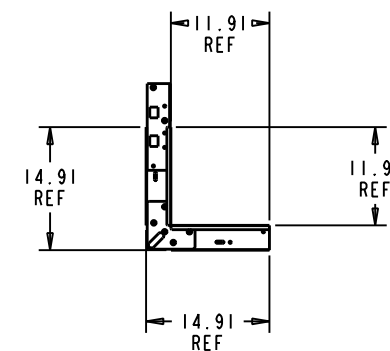
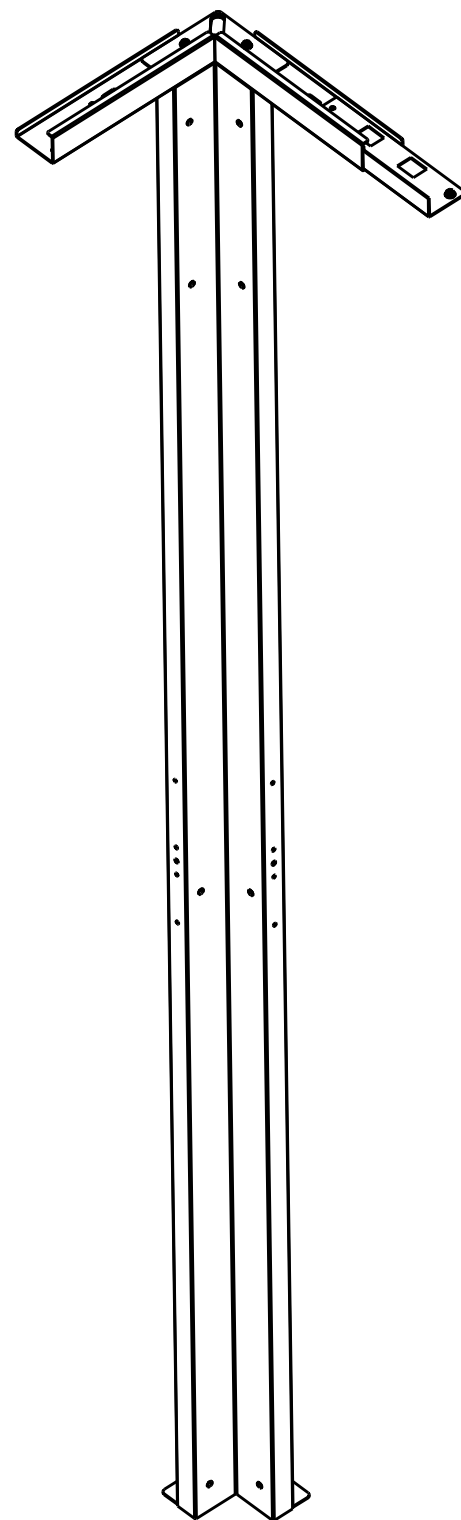
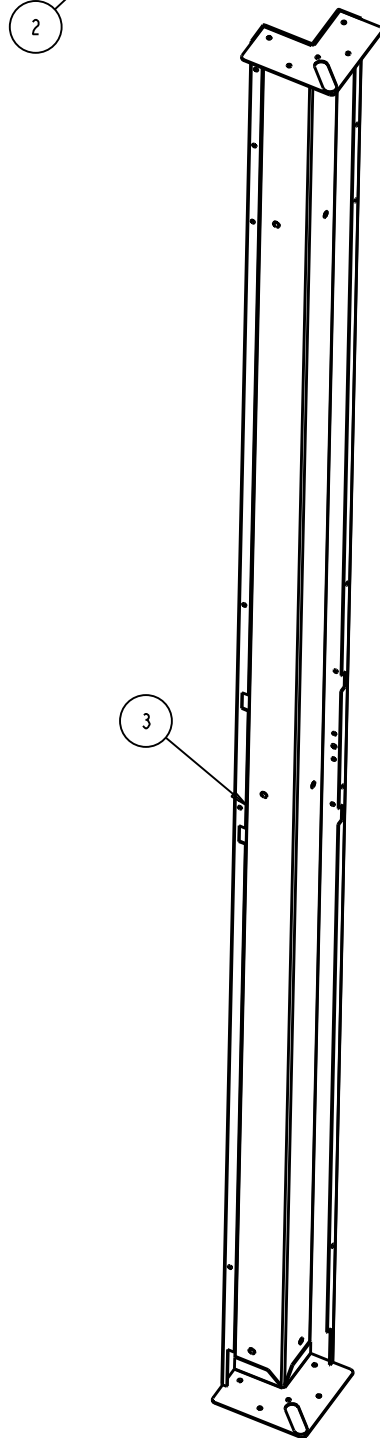
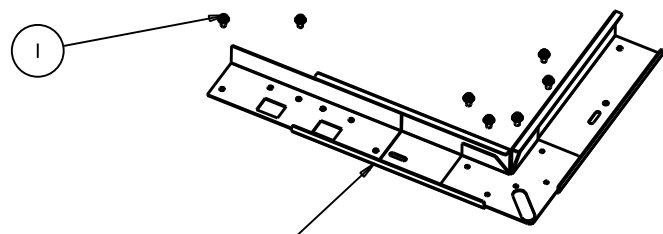


RELEASE STATUS
Production



NOTE:

- 1. SHIPPING WEIGHT: 24 LBS
- 2. DO NOT ASSEMBLE - BAG ALL HARDWARE

ITEM	TYPE	DOCUMENT #	DESCRIPTION	QTY
3	MA	25799X	WELDMNT - INSIDE CORNER, 9' H	1
2	MA	25760X	WELDMNT INSD TOP CORNER	1
1	CP	54348	SCREW, 1/4-20X1/2 HEX WSHR HD	7

THIS DRAWING CONTAINS PROPRIETARY INFORMATION AND IS LOANED SUBJECT TO RETURN UPON DEMAND AND UPON THE EXPRESS CONDITION THAT IT WILL NOT BE USED IN ANY WAY DETRIMENTAL TO THE INTEREST OF EATON CORPORATION

CAGE NUMBER:	81824	ORIG EPR:	EPR123633
DES. BY:	D Nelson	DATE:	06/20/12
DRWN. BY:	D Nelson	DATE:	06/20/12
DESIGN MGMT SITE:	Worcester	PROD. GRP:	30 Cages
COLOR:		CRS GA:	
MATERIAL:		OTHER:	
MATERIAL FINISH:		SPEC #:	



9' INSIDE CORNER UPRIGHT

SHEET: 1 OF 1 REV DATE: -

D SSCU09R REV -

REV	REV. DATE	REV'D BY	PRODUCTION RELEASE	ECN OR EPR NUMBER
-	-	-	PRODUCTION RELEASE	EPR123633
-	-	-	CURRENT REVISION DESCRIPTION	-

DRAWN IN THIRD ANGLE PROJECTION

 TOLERANCE UNLESS SPEC'D
 .XX ± .02
 .XXX ± .005
 < ± .1"
 ALL DIMENSIONS IN INCHES