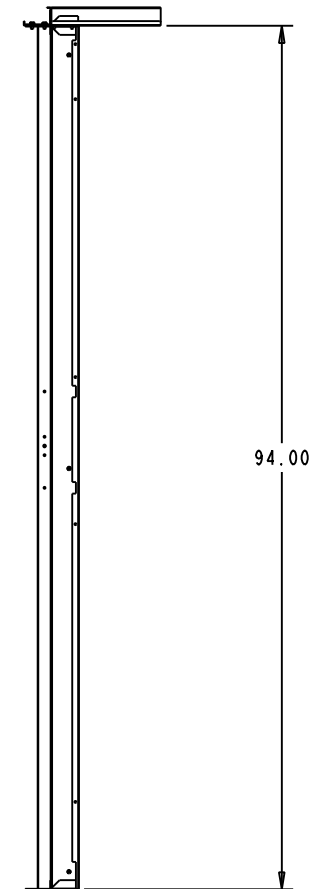
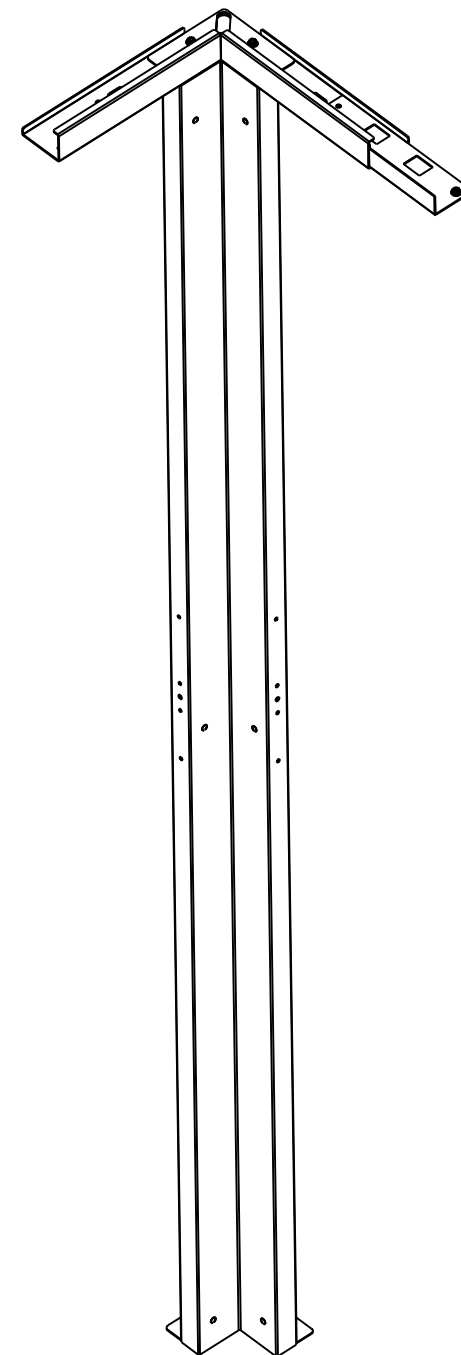
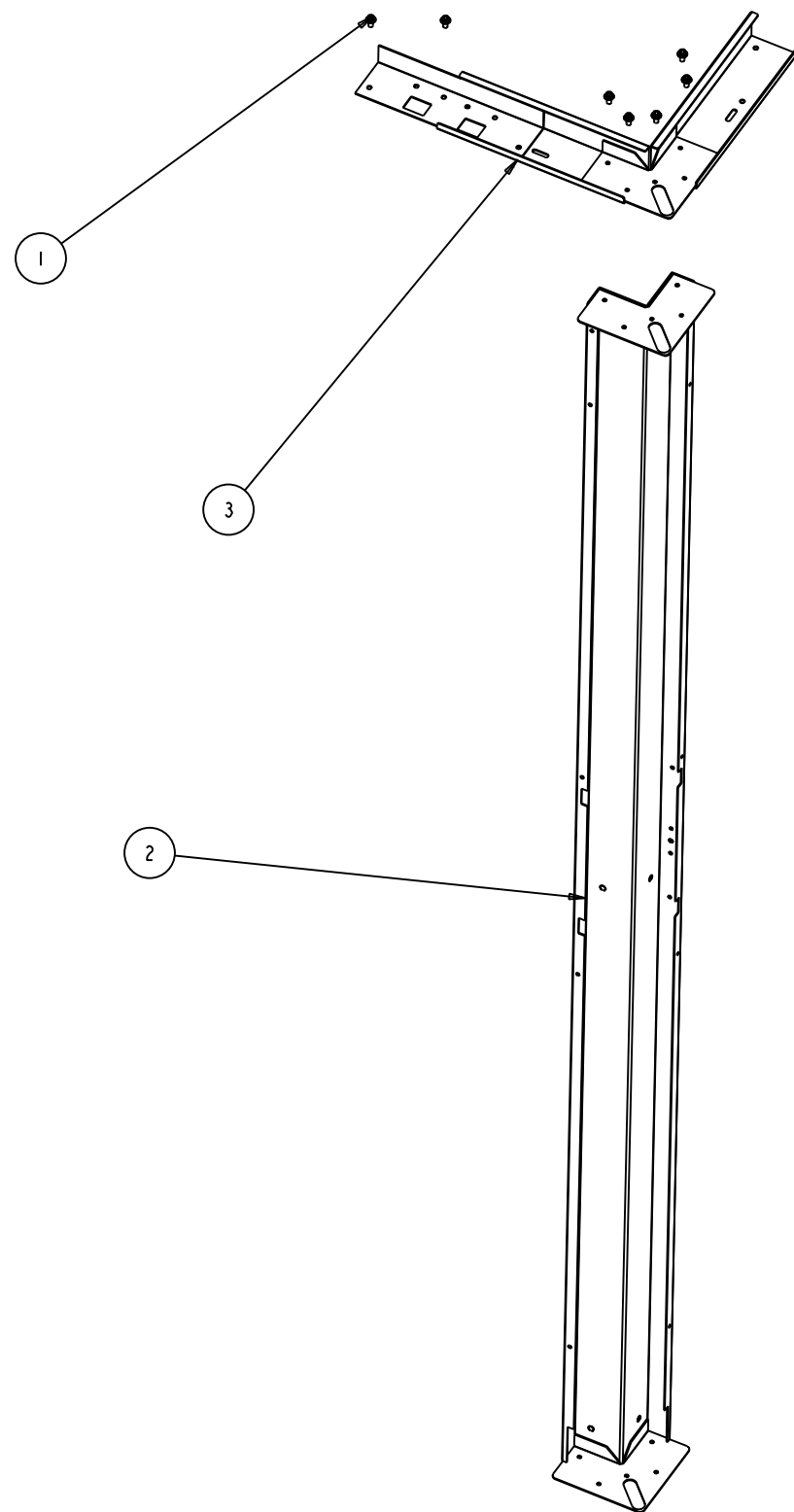


RELEASE STATUS  
Production



NOTE:  
1. SHIPPING WIEGHT: 21.7 LBS  
2. DO NOT ASSEMBLE - BAG ALL HARDWARE

ITEM	TYPE	DOCUMENT #	REV	DESCRIPTION	QTY
3	MA	25760X	-	WELDMNT INSD TOP CORNER	1
2	MA	25759X	-	CAGE_CORNER_WLDMNT 8'	1
1	CP	54348	-	SCREW, 1/4-20X1/2 HEX WSHR HD	7

THIS DRAWING CONTAINS PROPRIETARY INFORMATION AND IS LOANED SUBJECT TO RETURN UPON DEMAND AND UPON THE EXPRESS CONDITION THAT IT WILL NOT BE USED IN ANY WAY DETRIMENTAL TO THE INTEREST OF EATON CORPORATION  DRAWN IN THIRD ANGLE PROJECTION 	CAGE NUMBER:	81824	ORIG EPR: EPR123465	
	DES. BY	BNourse	02/10/12	
	DRWN. BY	BNourse	02/10/12	
	DESIGN MGMT SITE:	Worcester	PROD. GRP 30	
MATERIAL:	CRS GA:	OTHER:	8' INSIDE CORNER UPRIGHT	
MATERIAL FINISH:	SHEET:	1 OF 1	REV DATE:	-
SPEC #	D	SSCU08R	REV	-

REV	REV. DATE	REV'D BY	PRODUCTION RELEASE	ECN OR EPR NUMBER
-	-	-	PRODUCTION RELEASE	-
REV	REV. DATE	REV'D BY	CURRENT REVISION DESCRIPTION	ECN OR EPR NUMBER