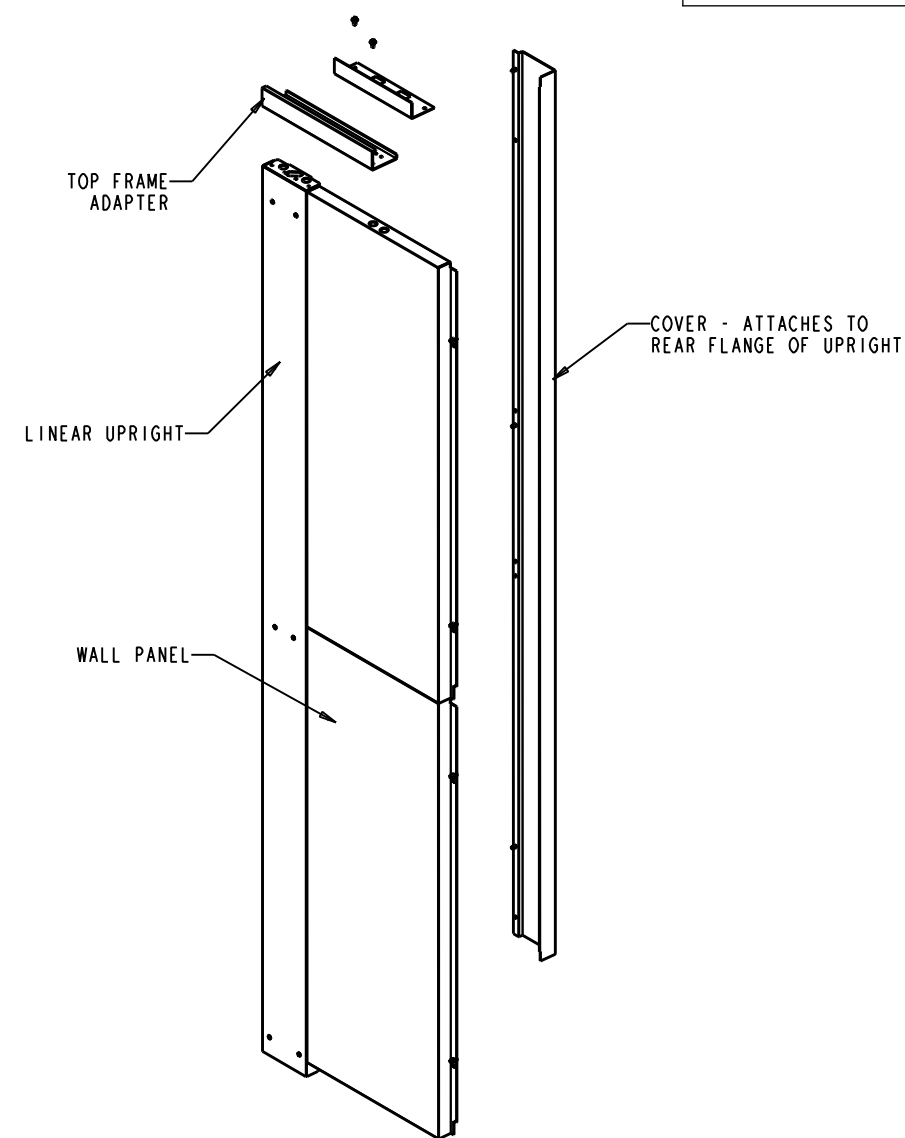
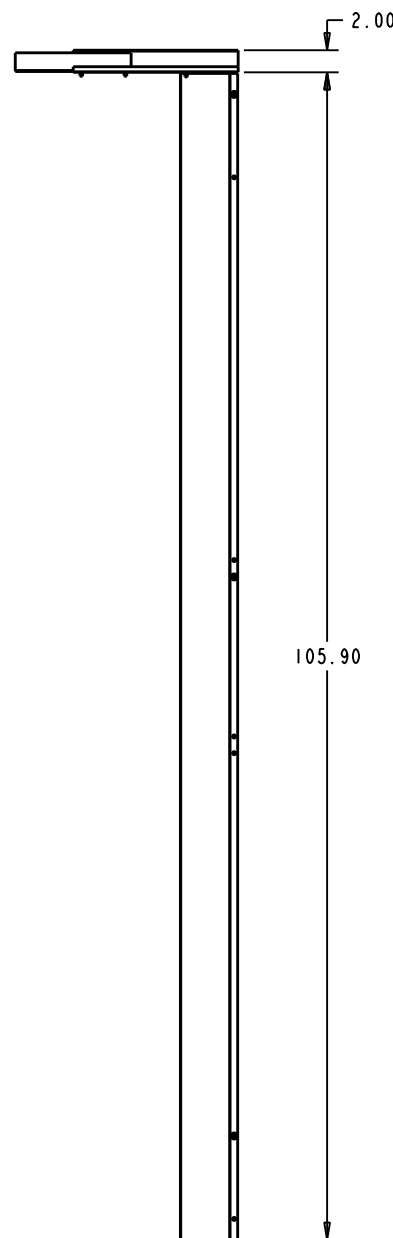
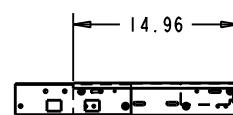
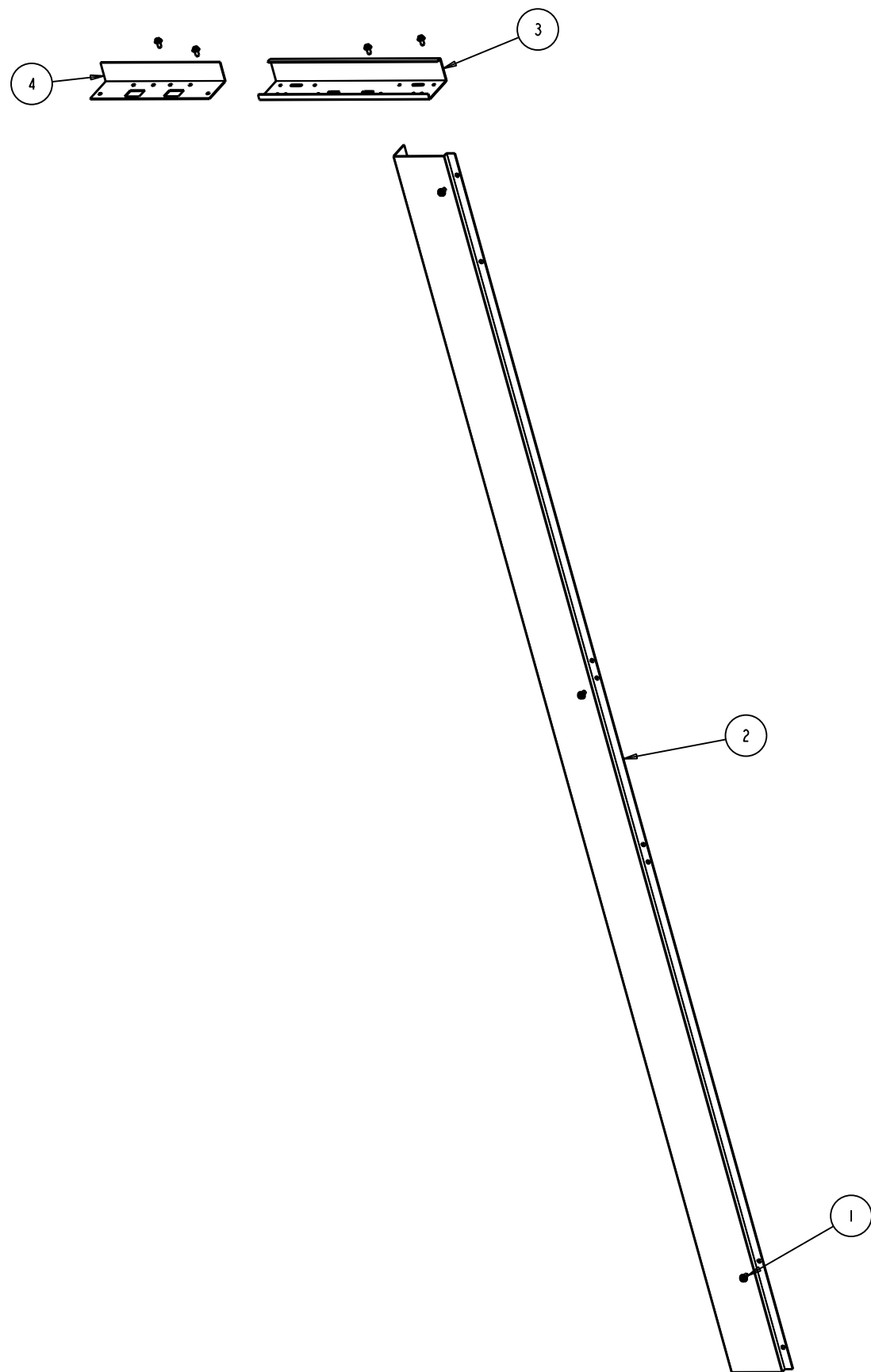


RELEASE STATUS  
Production



NOTE:

1. SHIPPING WEIGHT: 14 LBS
2. DO NOT ASSEMBLE - BAG ALL HARDWARE

ITEM	TYPE	DOCUMENT #	DESCRIPTION	QTY
4	SM	26639X	TIE BAR - TOP FRAME, BOLTED	1
3	SM	26638X	ADAPTER - TOP FRAME, 15"	1
2	SM	26637X	COVER - 9' H, LINEAR UPRIGHT	1
1	CP	54348	SCREW, 1/4-20X1/2 HEX WSHR HD	7

THIS DRAWING CONTAINS PROPRIETARY INFORMATION AND IS LOANED SUBJECT TO RETURN UPON DEMAND AND UPON THE EXPRESS CONDITION THAT IT WILL NOT BE USED IN ANY WAY DETRIMENTAL TO THE INTEREST OF EATON CORPORATION

DRAWN IN THIRD ANGLE PROJECTION

TOLERANCE UNLESS SPEC'D  
 .XX ± .02  
 .XXX ± .005  
 < ± 1"  
 ALL DIMENSIONS IN INCHES

CAGE NUMBER: 81824  
 ORIG EPR: EPRI23633  
 DES. BY: DNeison 06/25/12  
 DRWN. BY: DNeison 06/25/12  
 DESIGN MGMT SITE: Worcester  
 PROD. GRP: 30 Cages  
 COLOR: -  
 MATERIAL: CRS GA: N/A  
 OTHER: SEE NOTES  
 MATERIAL FINISH: Powder Coat - Variable  
 SPEC #: -

**EATON**

END COVER ASY - LIN UPRIGHT, 9' H CAGE

SHEET: 1 OF 1 REV DATE: -  
 D SSENDVVR09 REV -

REV	REV. DATE	REV'D BY	PRODUCTION RELEASE	ECN OR EPR NUMBER
-	-	-	PRODUCTION RELEASE	EPRI23633
-	-	-	CURRENT REVISION DESCRIPTION	ECN OR EPR NUMBER