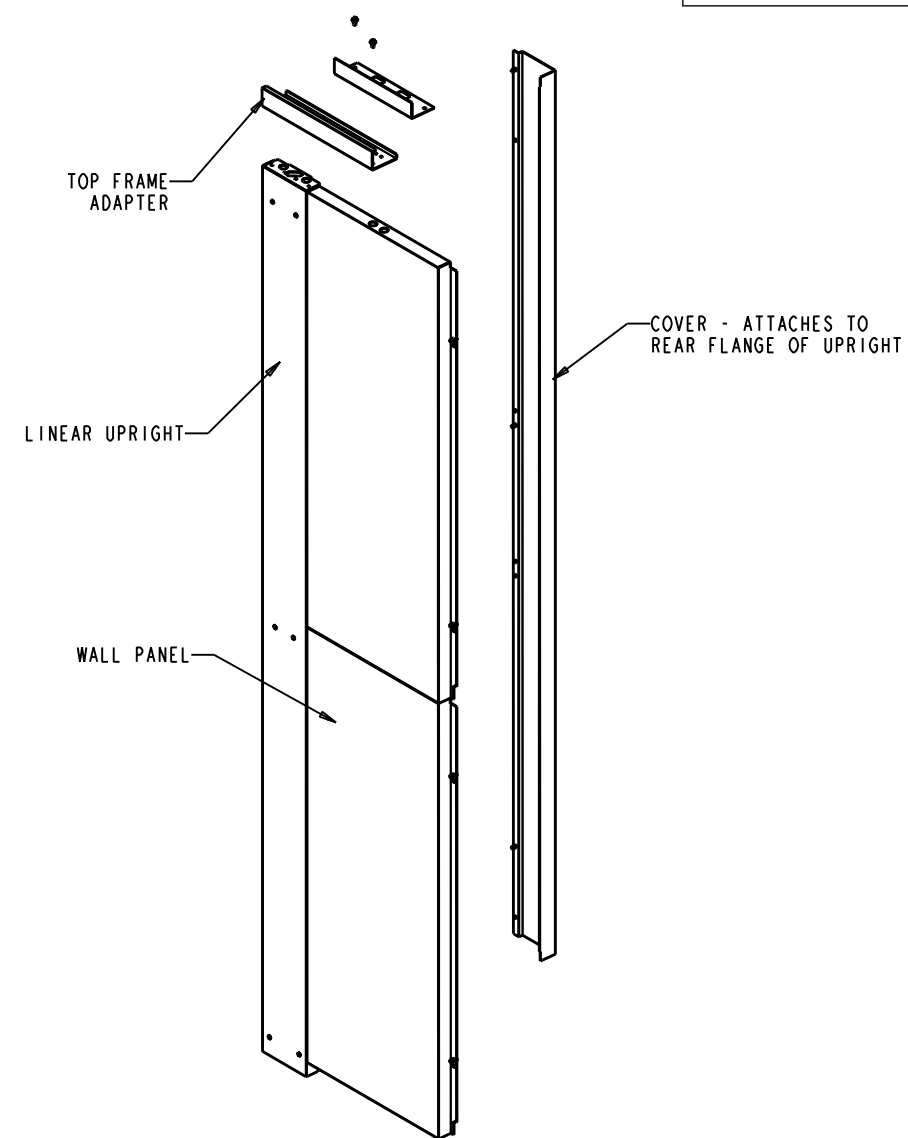
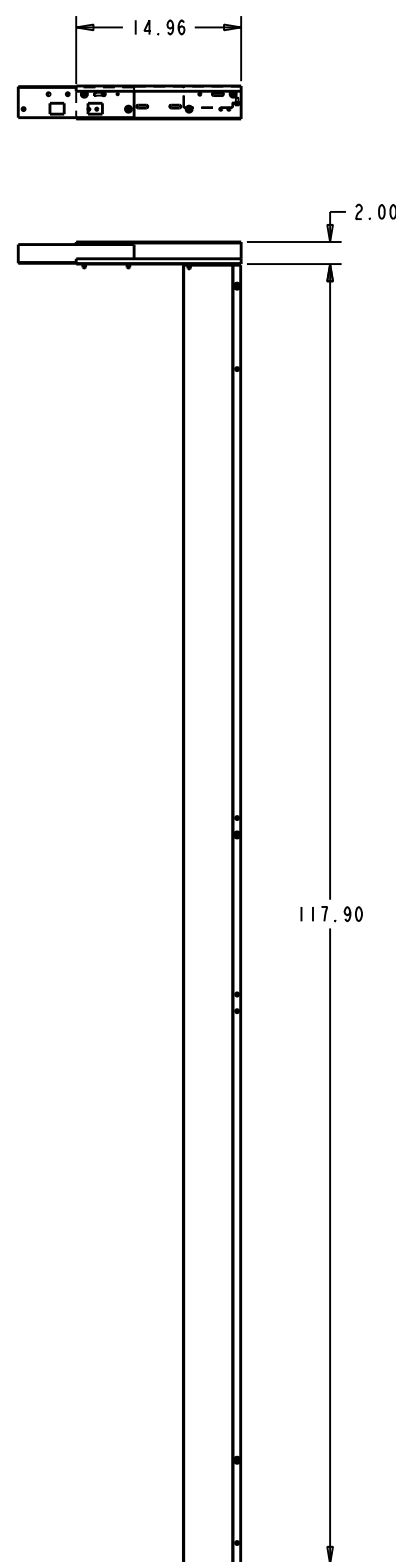
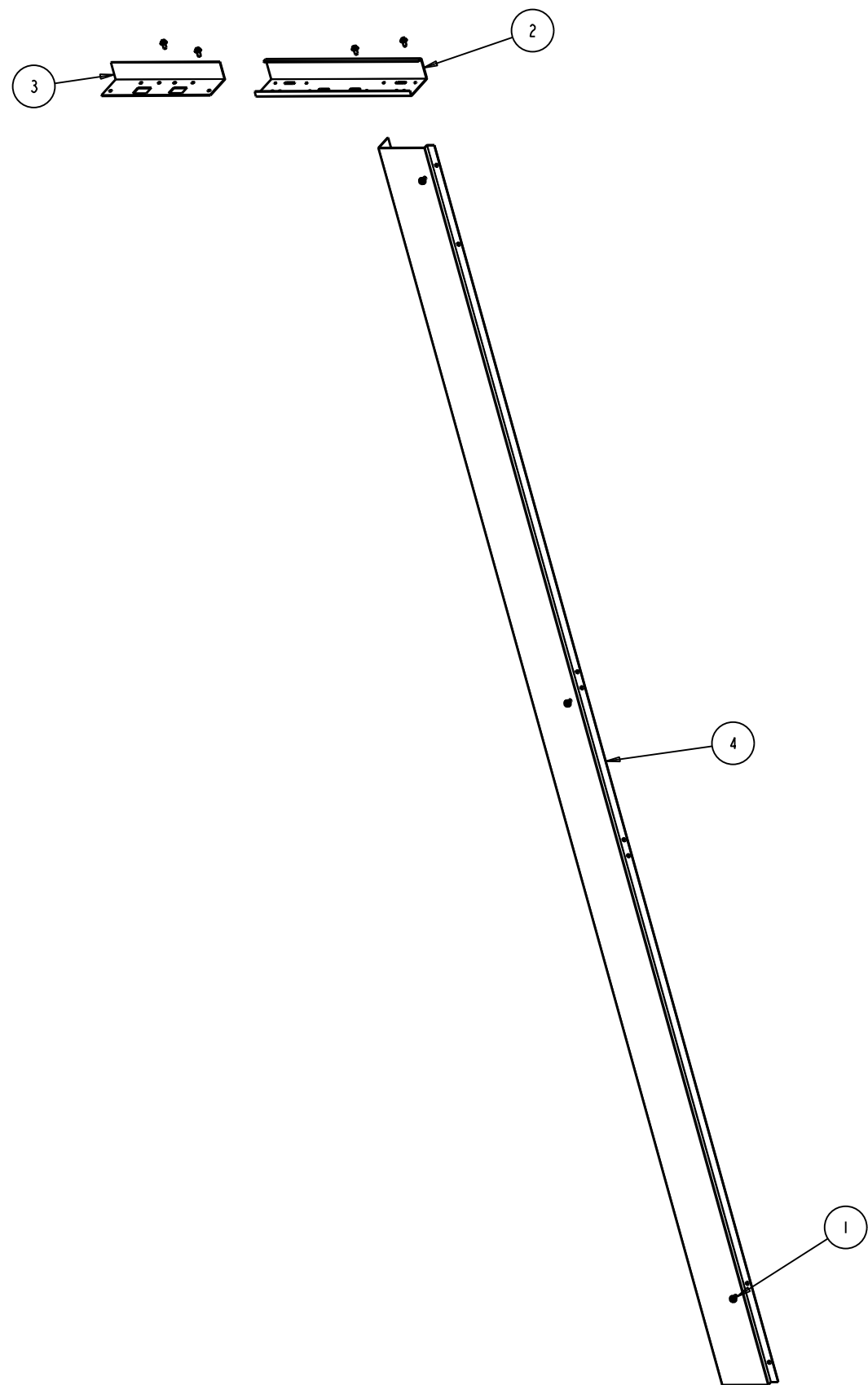


RELEASE STATUS
Production



NOTE:

1. SHIPPING WEIGHT: 15 LBS
2. DO NOT ASSEMBLE - BAG ALL HARDWARE

ITEM	TYPE	DOCUMENT #	DESCRIPTION	QTY
4	SM	28365X	COVER - 10' H, LINEAR UPRIGHT	1
3	SM	26639X	TIE BAR - TOP FRAME, BOLTED	1
2	SM	26638X	ADAPTER - TOP FRAME, 15"	1
1	CP	54348	SCREW, 1/4-20X1/2 HEX WSHR HD	7

THIS DRAWING CONTAINS PROPRIETARY INFORMATION AND IS LOANED SUBJECT TO RETURN UPON DEMAND AND UPON THE EXPRESS CONDITION THAT IT WILL NOT BE USED IN ANY WAY DETRIMENTAL TO THE INTEREST OF EATON CORPORATION

DRAWN IN THIRD ANGLE PROJECTION

TOLERANCE UNLESS SPEC'D
 .XX ± .02
 .XXX ± .005
 < ± .1"

ALL DIMENSIONS IN INCHES

CAGE NUMBER: 81824
 ORIG EPR: EPRI23822
 DES. BY: DNeison 01/22/13
 DRWN. BY: DNeison 01/22/13
 DESIGN MGMT SITE: Worcester
 PROD. GRP: 30 Cages
 COLOR: -
 MATERIAL: CRS GA: N/A
 OTHER: SEE NOTES
 MATERIAL FINISH: Powder Coat - Variable
 SPEC #: -

EATON

END COVER ASY - LIN UPRIGHT, 10' H CAGE

SHEET: 1 OF 1 REV DATE: -

D SSENDVRI0 REV -

REV	REV. DATE	REV'D BY	PRODUCTION RELEASE	ECN OR EPR NUMBER
-	-	-	PRODUCTION RELEASE	EPRI23822
-	-	-	CURRENT REVISION DESCRIPTION	-