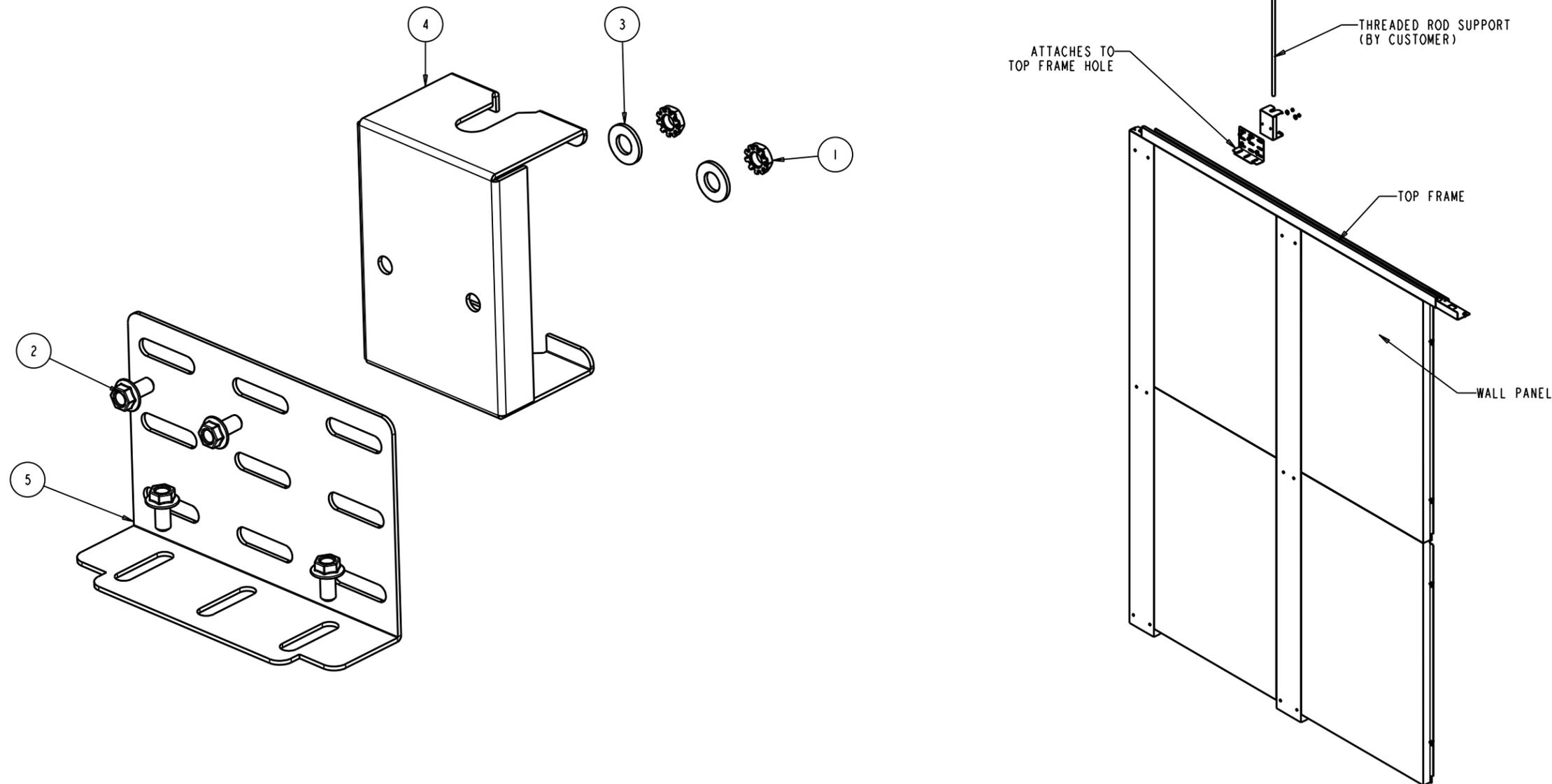


RELEASE STATUS
Production



NOTE:

- 1. SHIPPING WEIGHT: 2 LBS
- 2. DO NOT ASSEMBLE - BAG ALL HARDWARE

ITEM	TYPE	DOCUMENT #	DESCRIPTION	QTY
5	SM	26641X	BRACKET - WALL MNT, TOP FRAME	1
4	SM	23327X	ANCHOR BRACKET, CEILING ROD	1
3	CP	81710	WASHER, 5/16 SAE FLAT, BLACK	2
2	CP	54348	SCREW, 1/4-20X1/2 HEX WSHR HD	4
1	CP	18209	KEP NUT, HEX, 1/4-20 NICKEL	2

REV	REV. DATE	REV'D BY	CURRENT REVISION DESCRIPTION	ECN OR EPR NUMBER
-	-	-	PRODUCTION RELEASE	EPR123633

THIS DRAWING CONTAINS PROPRIETARY INFORMATION AND IS LOANED SUBJECT TO RETURN UPON DEMAND AND UPON THE EXPRESS CONDITION THAT IT WILL NOT BE USED IN ANY WAY DETRIMENTAL TO THE INTEREST OF EATON CORPORATION

DRAWN IN THIRD ANGLE PROJECTION

TOLERANCE UNLESS SPEC'D
 .XX ± .02
 .XXX ± .005
 < ± 1°
 ALL DIMENSIONS IN INCHES

CAGE NUMBER: 81824

ORIG EPR: EPR123633

DES. BY: D Nelson 06/25/12

DRWN. BY: D Nelson 06/25/12

DESIGN MGMT SITE: Worcester

PROD. GRP: 30 Cages

COLOR: -

MATERIAL: CRS GA: N/A

MATERIAL FINISH: Powder Coat - Variable

OTHER: SEE NOTES

SPEC #: -

EATON

ASSEMBLY - TOP FRAME THD ROD BRKT CAGE

SHEET: 1 OF 1

REV DATE: -

D S5TFTRK REV -