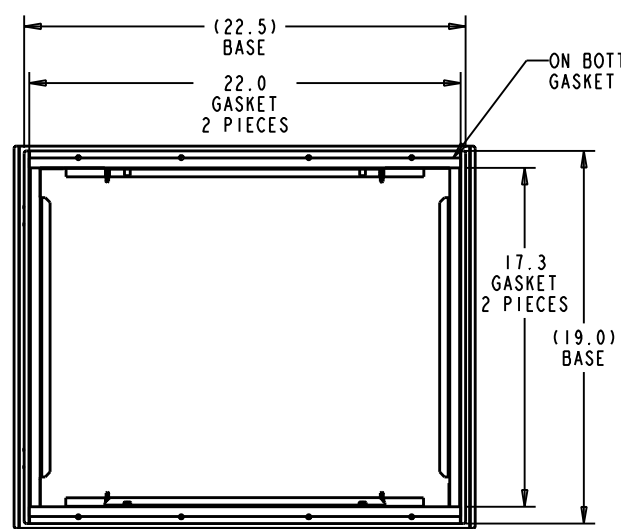
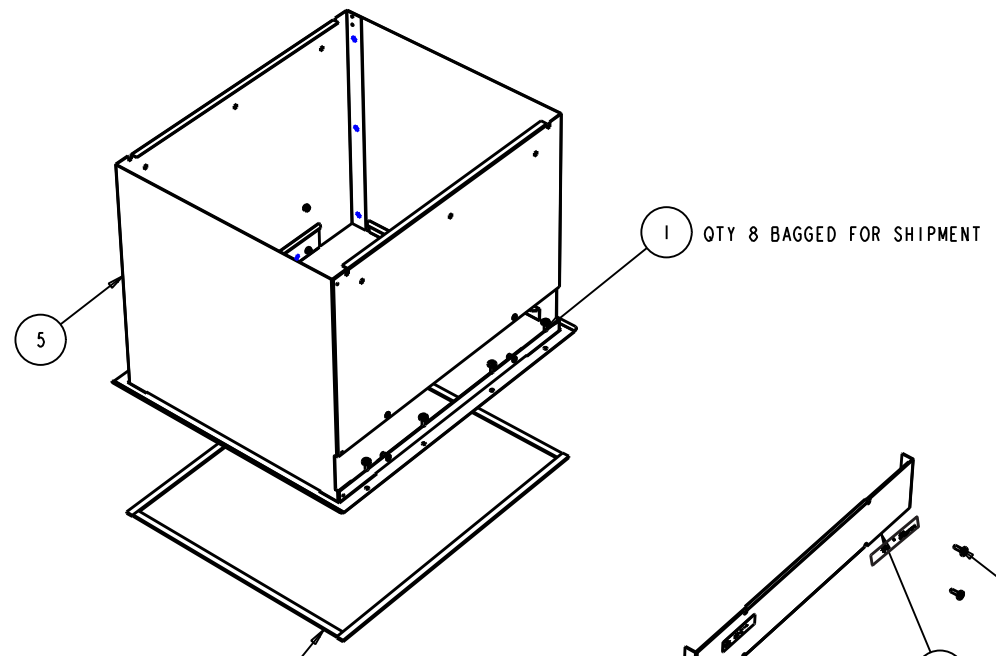
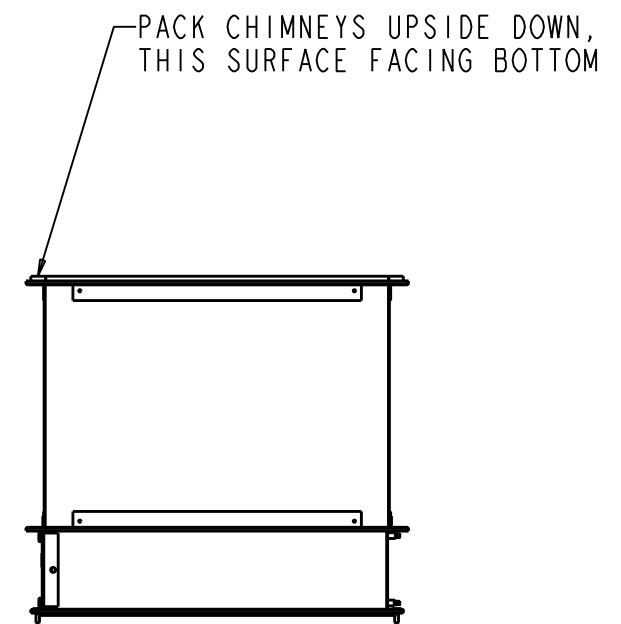
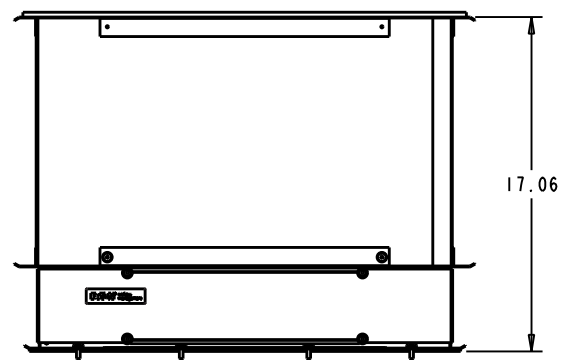


ON TOP, INSTALL GASKET TO INSIDE OF FLANGE ON ALL FOUR SIDES
GASKET COVERS HOLES ON ALL FOUR SIDES
GASKET ALSO COVERS GAP BETWEEN RING AND COLLAR



ON BOTTOM, INSTALL GASKET ALONG INSIDE OF FLANGE ON ALL FOUR SIDES.
GASKET SHOULD NOT BLOCK HOLES (HOLES ON TWO SIDES)

- NOTES:
- 1) UNIT TO BE SINGLE PACKED
 - 2) USE PLATIC CORNER PROTECTORS (102534) TO SEPARATE TELESCOPING PARTS
 - 3) SHIPPING WEIGHT: 35 POUNDS

ITEM	TYPE	DOCUMENT #	DESCRIPTION	QTY
7	SA	28636X	FAN TRAY FILLER PANEL	1
6	SA	28633X	TOP, TELESCOPIC CHIMNEY, 13"	1
5	SA	28629X	BASE, TELESCOPIC CHIMNEY, 17"	1
4	CP	100329	SCREW, THRD CUT, 10-24 X 1"	4
3	CP	96311	GASKET, 0.75 X 0.25 THK, ACRYLIC ADH	4
2	CP	94183	GASKET, 0.5 X 0.12 THK, ACRYLIC ADH	4
1	CP	87442	10-32 PHILIPS SCREW	12

THIS DRAWING CONTAINS PROPRIETARY INFORMATION AND IS LOANED SUBJECT TO RETURN UPON DEMAND AND UPON THE EXPRESS CONDITION THAT IT WILL NOT BE USED IN ANY WAY DETRIMENTAL TO THE INTEREST OF EATON CORPORATION

DRAWN IN THIRD ANGLE PROJECTION

TOLERANCE UNLESS SPEC'D
.XX ± .02
.XXX ± .005
ALL DIMENSIONS IN INCHES

CAGE NUMBER: 81824

ORIG EPR: EPR134043

DES. BY: MQuaglia 03/26/13

DRWN. BY: LSheen 09/20/13

DESIGN MGMT SITE: Worcester

PROD GRP: -

COLOR: -

MATERIAL: -

CRS GA: -

MATERIAL FINISH: -

SPEC #: -

EATON

ASM, TEL CHIMNEY, 17" TO 28" EATON CHANNEL, SINGLE PACK

SHEET: 1 OF 2 REV DATE: 09/20/13

D ETN-EXTTC1728 REV -

REV	REV. DATE	REV'D BY	CURRENT REVISION DESCRIPTION	EPR134043	ECN OR EPR NUMBER
-	09/20/13	LSheen	INITIAL PRODUCTION RELEASE		