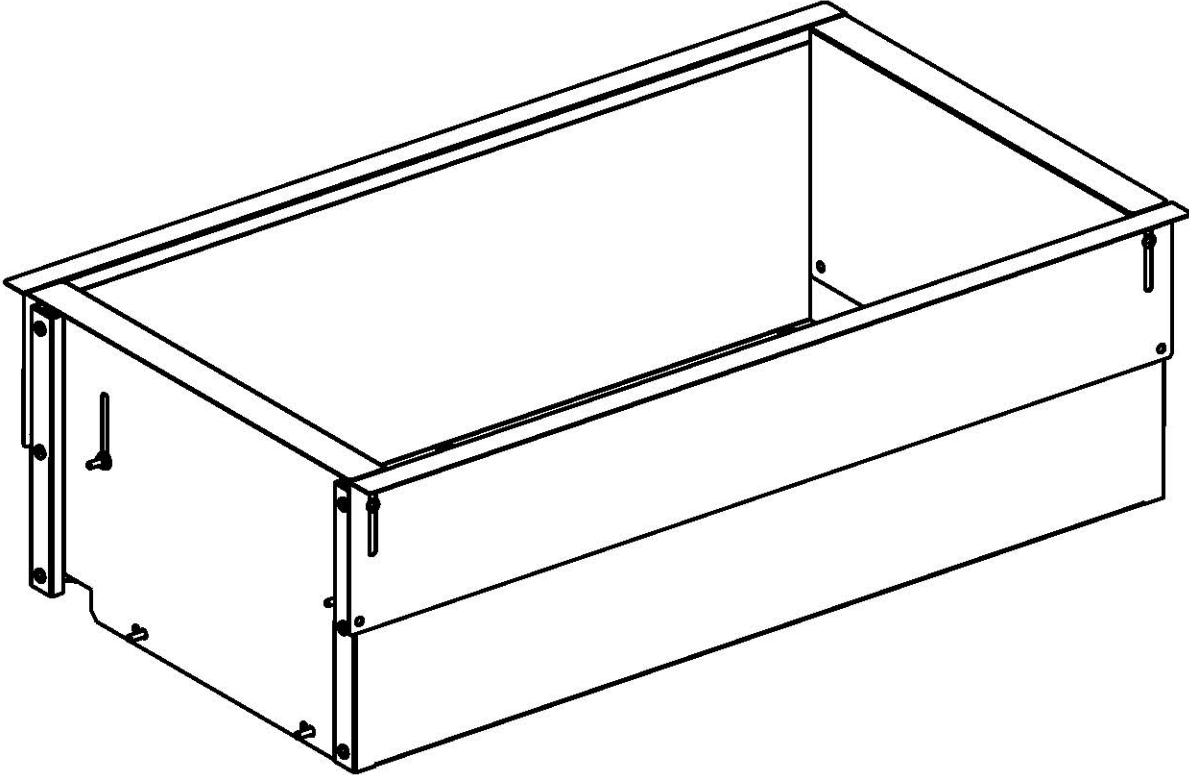


Installation Guide



© Copyright 2011 Eaton Corporation, Worcester, MA, USA.

All rights reserved.

Information in this document is subject to change without notice. No part of this document may be reproduced or transmitted in any form or by any means, electronic or mechanical, for any purpose, without the express written consent of Eaton Corporation.

Eaton is a registered trademark of Eaton Corporation or its subsidiaries and affiliates. Phillips is a registered trademark of Phillips Screw Company. All other trademarks are the property of their respective owners.

Table of Contents

	Page
About this Guide	
Audience	v
General Conventions	v
Documentation	v
1 Before you Begin	
Introduction	1
Tools you Will Need	1
Prerequisites	1
2 Installing the HCS Chimney	
Introduction	3
Unpack the Box	4
Chimney Dimensions	5
Assemble the HCS Chimney	6
Install the HCS Chimney	9
3 Service and Support	11
Technical Support	11
Sales Representative	11
Local US Representative	11
International Distribution	12
Documentation	13

About this Guide


This document describes how to install the Eaton® HCS Chimney on an existing HCS chimney base. The instructions in this document apply to all HCS Chimney series models with the part numbers HCSCHM#####. These chimneys can only be installed on chimney base part numbers HCS#####A or HCS#####B.

Audience

This document is intended for installers and/or personnel who are installing the Eaton HCS Chimney in your facility.

General Conventions

Before you start the installation process, it is important to understand the conventions used in this publication.

Convention	Meaning
Bold type	Indicates notes, cautions or warnings that provide important information. Failure to follow these warnings may cause personal injury and/or product damage.
<i>Italic type</i>	Indicates titles of publications or information that the user must supply, such as filenames (if applicable).
<u>Underlined type</u>	Indicates links (if applicable).
1. Numbered lists	Indicates procedures that you must follow in a sequential order.
ACRONYMS	Defined at the first occurrence in the document. The acronym definition appears first followed by its acronym in parenthesis. For example: electrostatic discharge (ESD).
	CAUTION: Failure to comply with safety standards in handling your equipment may result in electrical shock.

Documentation

This document can be obtained from our website at <http://www.wrightline.com> by following these procedures:

1. Click on the “Library” icon.
2. Click on the “Installation Manuals” link, and then select the “Data Center” option.
3. Under the Data Center section, go to the Airflow / Thermal section and click on the “HCS Chimney Installation Manual” documentation link to view this manual.

Chapter 1 Before you Begin

Introduction

This chapter describes the tools you will need and the requirements that must be met prior to installing the Eaton HCS Chimney.

Tools you Will Need

You will need the following tools to successfully install the HCS Chimney:

- Common installation tools
- Utility knife
- #2 Phillips screwdriver bit

Prerequisites

Prior to installing the HCS chimney, the following requirements must be met:

- Install the HCS chimney base
- Ensure there is adequate clearance between the chimney base and the ceiling
- There must be an exhaust vent hole no larger than 17" x 23" above the chimney base
- Unpack all chimney components
- Ensure you have common installation tools including a utility knife and a #2 Phillips screwdriver

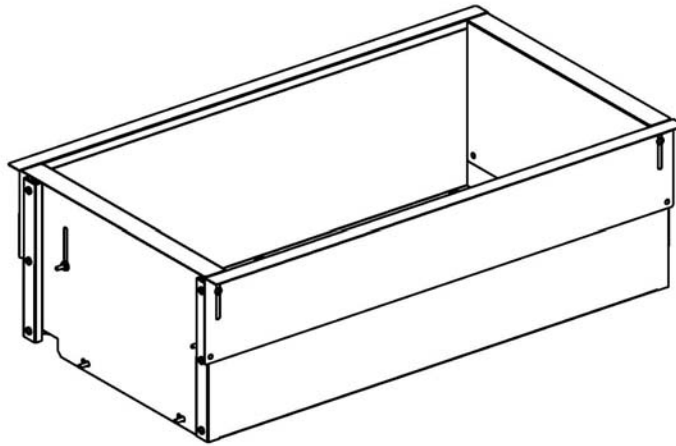
Chapter 2 Installing the HCS Chimney

Introduction

This chapter describes how to install the HCS Chimney on an existing HCS chimney base within an Eaton heat containment system equipped enclosure. The Eaton HCS efficiently isolates exhaust and intake airflows. Hot air is directed up and away from equipment to the computer room air conditioning (CRAC) system or overhead air plenum; hence, intake air is not contaminated with exhaust air.

The chimney installation applies to all HCS Chimneys with model numbers HCSCHM####. The chimneys can only be installed on chimney base part numbers HCS####A or HCS####B.

For chimney dimensions, refer to the “Chimney Dimensions” table in this chapter.



Chimney
Model 17501241 Shown

In this Chapter

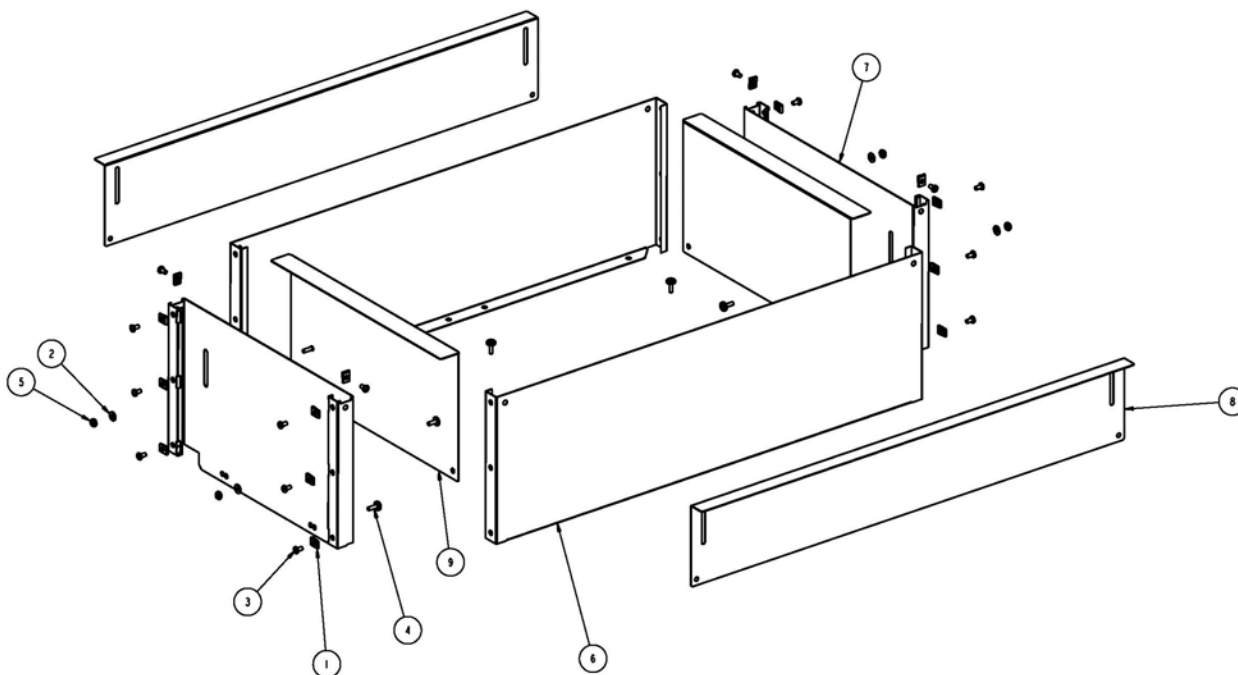
Refer to the following table for information on a specific topic.

Topic	See Page
Unpack the Box	4
Chimney Dimensions	5
Assemble the HCS Chimney	6
Install the HCS Chimney	9

Installing the HCS Chimney

Unpack the Box

Before you begin the installation process, ensure that the following parts are included in your shipment. If any components are missing, please contact Technical Support at dc.support@eaton.com.



Components for Chimney Model 17501241

The following table lists the chimney components illustrated above along with the quantity of each component. Your components list may vary depending on the chimney model you ordered.

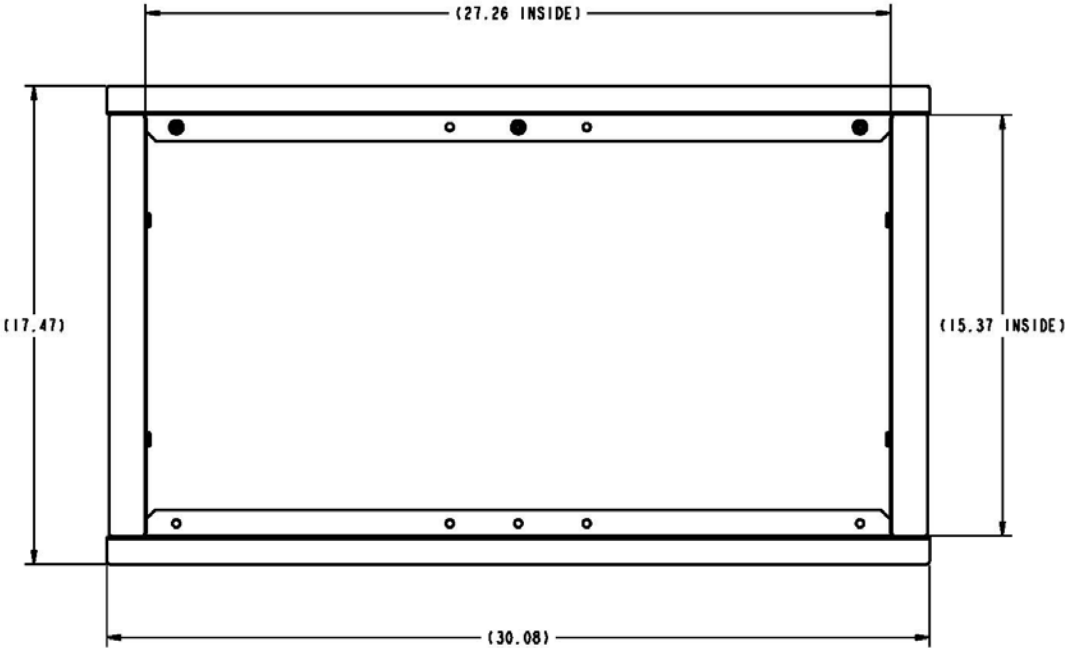
HCS Chimney Components			
Item	Part Number	Part	Qty
1	81615	"U" Type Nut	16
2	54225	#10, Flat Washer	4
3	66714	Pan Head Swageform Screw	16
4	87442	#10-32 Phillips Screw	7
5	93346	#10-32 Locknut, Nylon Insert	4
6	24123X	Chimney Side, Front and Rear	2
7	24124X	Chimney Side, Left and Right	2
8	24125X	Trim Angle, Front and Rear, 30" W	2
9	24126X	Trim Angle, Side Left and Right	2

Chimney Dimensions for Model 17501241

See the following diagrams for inside and outside chimney dimensions for model 17501241. Depending on the chimney model you ordered, the dimensions may vary from those shown here.

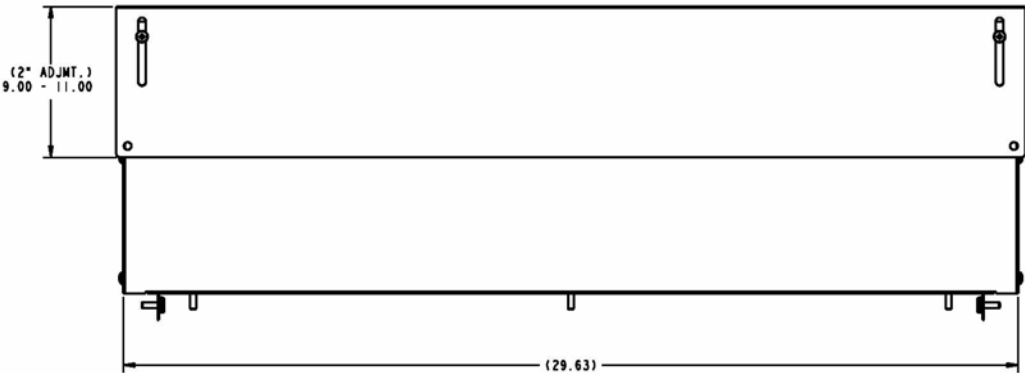
Top View Inside and Outside Dimensions

Inside: 27.26" W x 15.37" H
Outside: 30.08" W x 17.47" H



Front View Dimensions

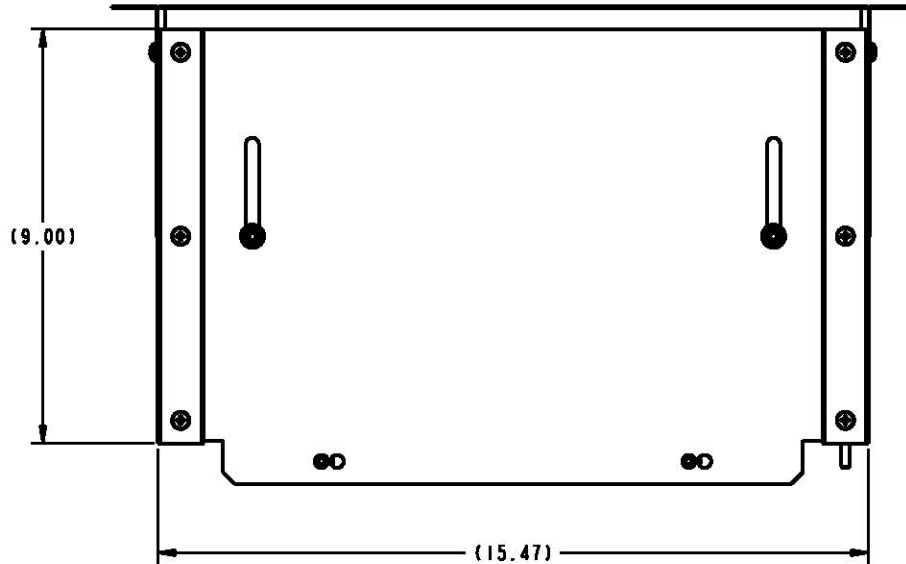
Outside: 29.63" W
Height: Height varies based on model number. The model shown below includes a 2" adjustable piece



Installing the HCS Chimney

Chimney End Panel View Dimensions

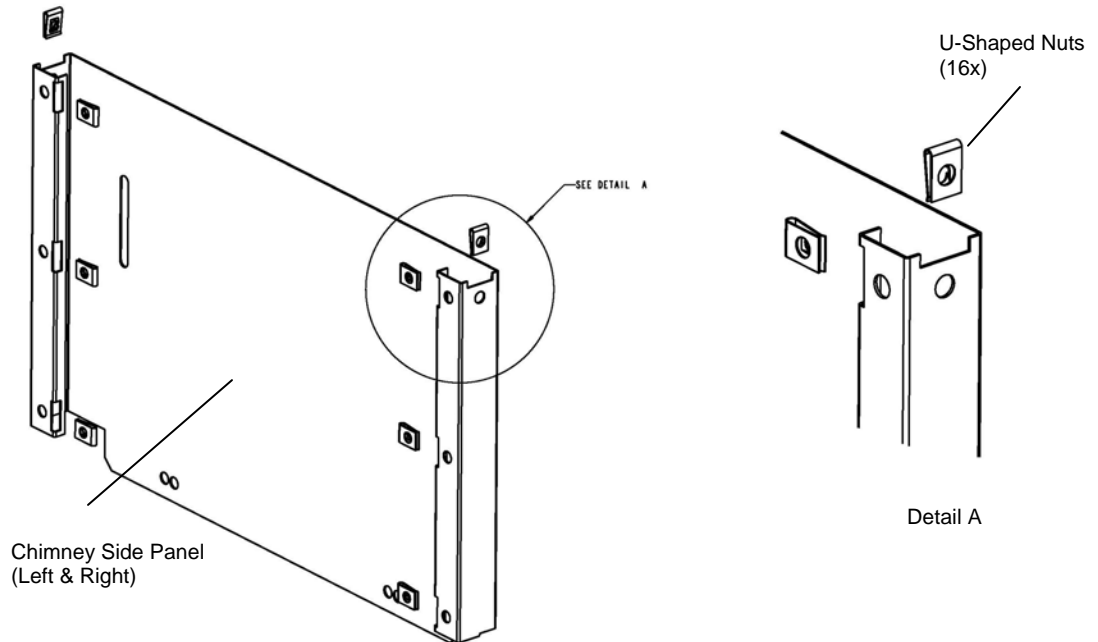
Outside: 15.47" W x 9.00" H



Assemble the HCS Chimney

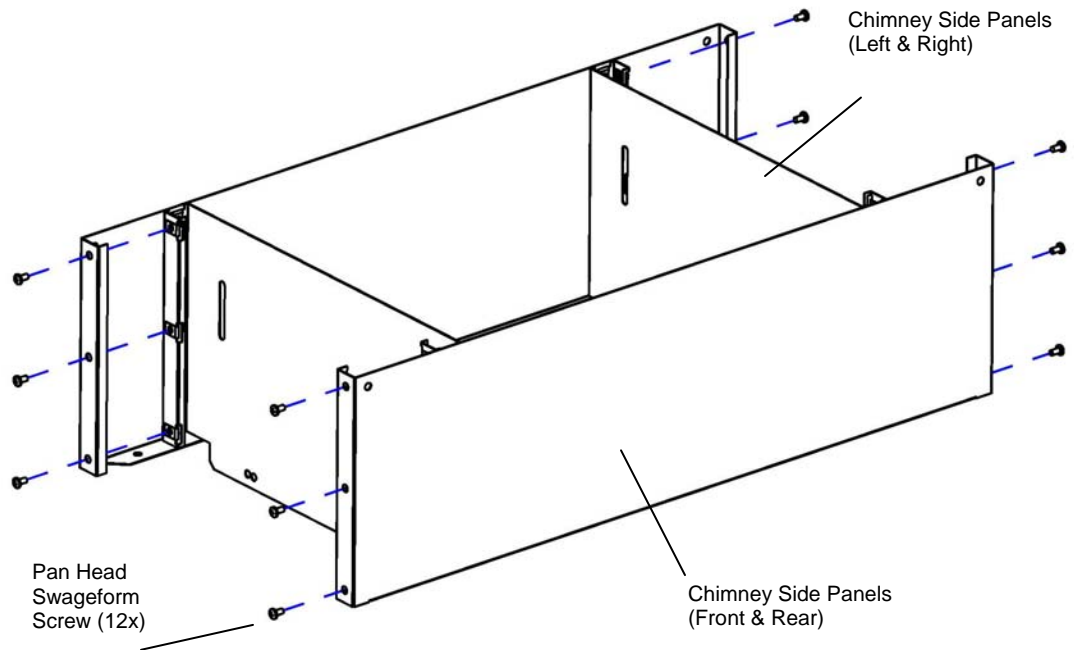
Follow these instructions to assemble the HCS Chimney on an existing HCS chimney base.

1. Insert eight U-shaped nuts (81615) into the slots in the chimney left side panel and eight in the right side panel (24124x) as shown below. In total, you need to install 16 U-shaped nuts.



Installing the HCS Chimney

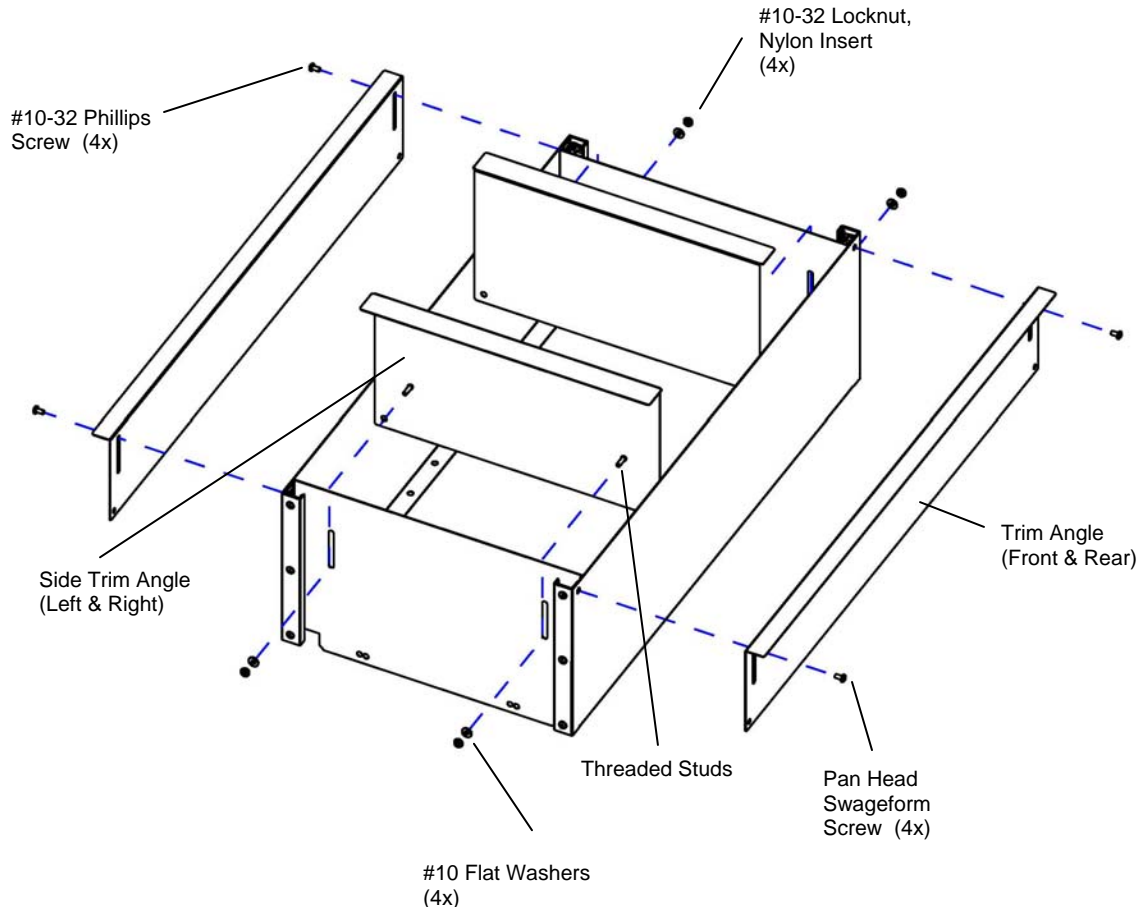
2. Assemble the front and rear chimney side panels (24123x) to the left and right chimney side panels (24124x) as shown. The flanges slide into the matching side panel flanges. The holes in the flanges must align.



3. Insert twelve (12) pan head swageform screws (66714) in the holes and tighten to secure the four panels together.

Installing the HCS Chimney

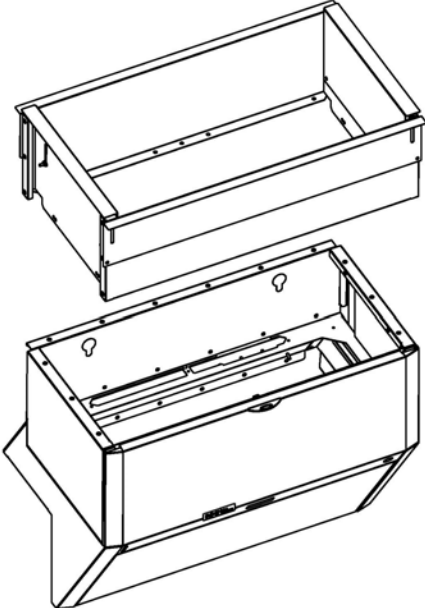
4. Assemble the left and right side trim angles (24126x) to the chimney as shown below and secure with four (4) #10 flat washers (54225) and four (4) #10-32 nylon insert locknuts (93346). Do not tighten locknuts at this time.
5. Assemble the front and rear trim angles (24125x) to the chimney as shown below.
6. Insert four (4) pan head swageform screws (66714) through the front and rear trim angles as shown below. Do not tighten at this time.



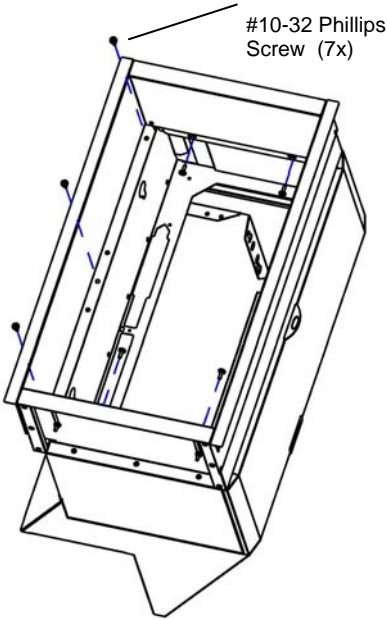
Install the Chimney

Follow these instructions to install the chimney on an existing HCS chimney base.

- 1. Align the assembled chimney over the chimney base as shown on the following page. Lower the chimney until the holes in the end panels align with the threaded holes in the base.



- 2. From the interior of the chimney, insert seven (7) #10-32 Phillips screws (87442) through the holes in the chimney base and tighten as shown below.



- 3. Adjust the trim angles to the proper height and tighten all locknuts and screws. The chimney installation is now complete.

Chapter 3 Service and Support

If you have any questions or problems with this product, contact us at:

Technical Support

Send an email and detailed description of the problem as well as contact information to Technical Support at to.support@eaton.com.

Sales Representative

Contact your Eaton Sales representative by one of the methods below.

Phone

Call us toll free at 800.225.7348 (US Only) or 508.852.4300

Mail

Eaton
160 Gold Star Boulevard
Worcester, MA 01606

Email

InfoESWorcesterMA@Eaton.com

Web

Visit us at <http://www.wrightline.com> and click on “Contact Us.” Simply complete and submit the form as directed on our web site.

Local US Representative

To find a sales representative in your area, visit our website at <http://www.eaton.com/wrightline.com>, and then click on “Contact your local rep for more information.” For US visitors, enter your zip code in the field and click on the Submit button.

Worcester Office

Eaton
160 Gold Star Blvd.
Worcester, MA 01606
Tel: 508-852-4300
Toll Free: 800-225-7348
Fax: 508-853-8904

Latin America, Central/South America & The Caribbean

Carla Hauschildt
Eaton
HC20 Box 10723
Juncos, PR 00777
Tel: (787)547-2627
Fax: (508)365-6042

Service and Support

International Distribution

Canada

TAB Technical Environments
130 Sparks Avenue
Willowdale, ON
M2H 2S4
Tel: 800-667-4020
Fax: 888-257-5205

Europe

ICTroom Company BV
Tokyostraat 27-29
1175 RB Lijnden
Postbus 9185
1006 AD Amsterdam
The Netherlands
Tel: 31-(0)-20-820-3000
Fax: 31-(0)-20-820-3010

Malaysia

Quantum Special Sdn Bhd
2-2 Jalan USJ 1/1B, Regalia Business Centre
47610 Subang Jaya
Selangor, Malaysia
Tel: 603-8023-3284
Fax: 603-8023-4486

Mexico

Guillermo Garcia
Global Technical Solutions de México
Burdeos 37-602
Col. Juárez
México, D.F. 06600
Tel. 52-55-5211-2622
Tel. / Fax. 52-55-5286-7323

Singapore

Fablink Singapore Pte Ltd
No 2 Woodlands Sector 1
#03-09
Woodlands Spectrum 1
Singapore 738068
Tel: 065-6555-0262
Fax: 065-6453-1422

Tokyo

Rinbard Co., Ltd.
Jono Bldg. II 3F
17-1 Nihonbashi-Odenmachi, Chuo-ku
Tokyo 103-0011 Japan
Tel: 81-3-5651-8123
Fax: 81-3-5651-8170

Documentation

For documentation pertaining to this product and related Eaton products, visit our website at <http://www.wrightline.com>.

To contact an Eaton salesperson
or local distributor, please visit
www.eaton.com/wrightline or
call 800-225-7348.



Powering Business Worldwide

Eaton Corporation
Electrical Sector
1111 Superior Ave.
Cleveland, OH 44114
United States 877-ETN-CARE (877-386-2273)
Eaton.com © 2011

Eaton Corporation
All Rights Reserved