

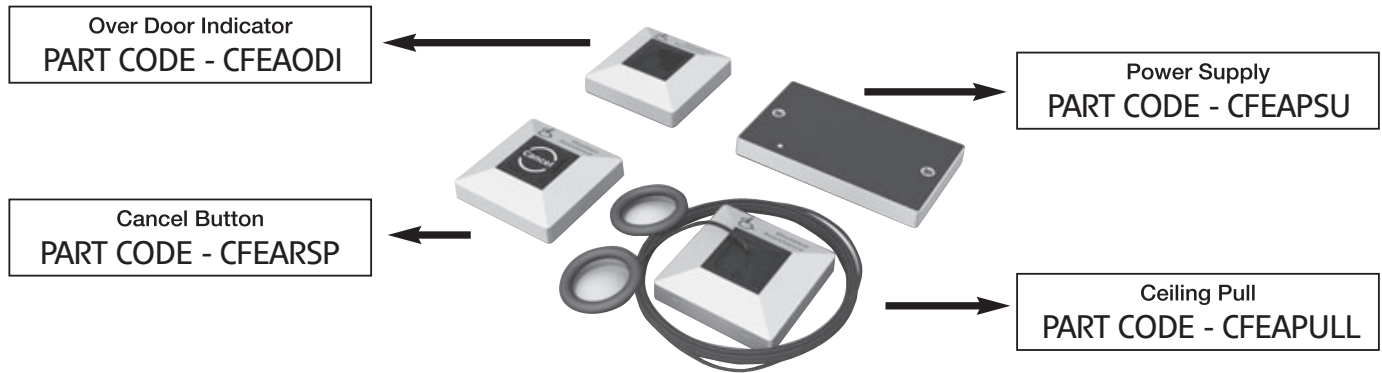
CFEAPULLKIT

Installation & User Guide



Kit Contents

This kit comprises of everything required for the complete installation of a BS8300 Compliant Emergency Assistance Alarm, (excluding cables and fixings).



Mains Wiring

The general requirement for the mains supply to the call controller is fixed wiring, using three core cable of not less than 1mm². This should be fed from an isolating switched fused spur, fused at 3A, which is marked appropriately and secure from unauthorised operation.

All mains wiring should be provided in accordance with the current edition of the IEE Wiring Regs (BS 7671) or in accordance with the relevant national wiring rules.

Extra Low Voltage (ELV) Wiring

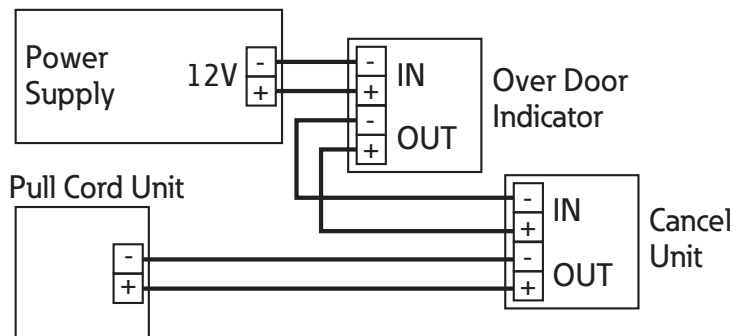
Always segregate low voltage wiring from the mains wiring.

System requires minimum 2 core 0.4mm² cable.

All wall-mounting devices should be mounted onto a back box of the required depth.

Wiring Guide Using 2 Core Cable

OUT	IN
PSU 12V supply	Over Door Indicator
Over Door Indicator	Cancel Unit
Cancel Unit	Pull Cord Unit



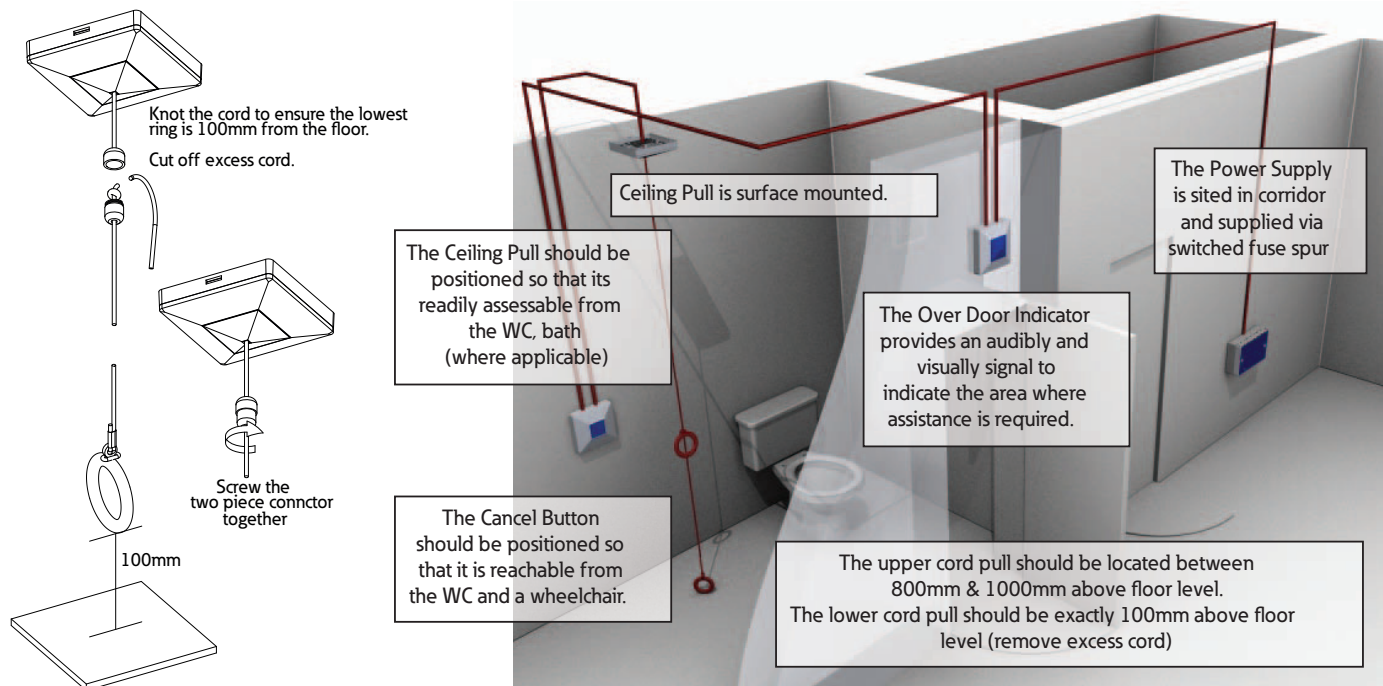
Incorrect wiring may cause damage to the circuit, which will void the warranty.

Installation

The Emergency Assist Alarm should be installed in accordance with the recommendations of BS8300 and to the requirements of Building Regulations Approved Document M.

The below diagram demonstrates a typical layout for installation in a disabled person toilet.

Note: Where pertinent other or alternative standards of design and installation should be adhered to.



All system components are designed to be sited internally and positioned in locations where they are readily accessible by the user. The area should be clean and dry and sound and light levels allow the status of all device indicators and sounders to be seen and heard.

Any likelihood of tampering or vandalism should also be taken into account at time of design.

Operation

- Normal State** Power Supply Unit power LED is lit.
- To Place a Call** Operate the Pull Cord. LED's will illuminate on, Pull Cord Unit, Cancel Unit and Over Door Indicator. An internal buzzer will also sound in the Over Door Indicator.
- To Reset Call** Press the Cancel Button.

Maintenance

- Weekly** Clean plates with a non abrasive cleaning cloth and detergent, do not use harsh or solvent based cleaners.
- Monthly** Test Call system by making and resetting a call.

Eaton Electrical Systems Ltd.
Wheatley Hall Road, Doncaster, South
Yorkshire, DN2 4NB, United Kingdom

Eaton
EMEA Headquarters
Route de la Longeraie 7
1110 Morges, Switzerland
Eaton.eu
TEL: +44(0)1302 321541
FAX: +44(0)1302 30220
FireCustomerservice@eaton.com
FireTechSupport@eaton.com



© 2018 Eaton
All Rights Reserved
Sep 2018

Eaton is a registered trademark.
All other trademarks are property
of their respective owners.