

# ULCSI350 - UL spur isolator unit



An extensive range of interfaces are available to support the Eaton range of UL intelligent addressable control panels, providing solutions for most design requirements.

The UL spur isolator unit (ULCSI350) enables a spur of Eaton's UL intelligent addressable devices to be connected to a main intelligent addressable loop, the device is designed to simplify installation of remote parts of buildings or for simple system extensions.

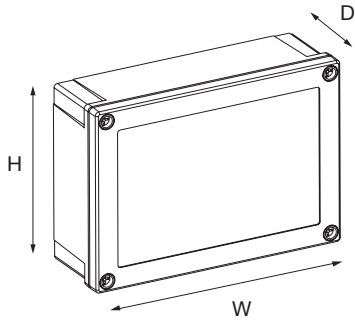
The unit permits up to 32 Eaton UL intelligent addressable devices to be installed as a "spur" off the main loop whilst maintaining the loop addressing sequence.

It should be ensured at the system design stage that the number of devices on the addressable spur and area of coverage meet the requirement UFPA72 and EN54.

## Features and benefits

- Allows a spur of intelligent addressable devices to be connected to the main loop
- Integral short circuit isolators for the loop and the spur
- Quick and simple to install
- No hard addressing required (Plug and play)
- Easy to expand a system using existing wiring
- Reduced installation cost

## Dimensions

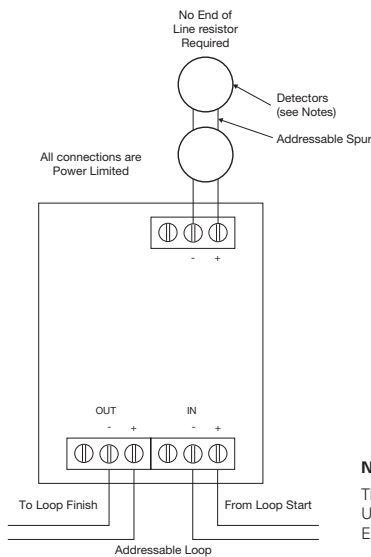


H (mm)	W (mm)	D(mm)
129	180	60

## Installation

1. Separate the two halves of the unit and remove the PCB.
2. Drill out (or knock out) the required cable entries in the surface mounting back-box.
3. Fit the back-box in position and pass the wires into it. Refit the PCB.
4. Connect the unit according to the standard connection diagram supplied with the unit.

## Standard connections



**Note:**  
This unit can only be used with the Eaton UL detector base UCAB300 and compatible Eaton UL intelligent addressable detectors.

## Technical specification

Code	ULCSI350
Description	Spur isolator unit
Standards	UL864 9th edition
<b>Signalling line circuit (Style 7, Class A, Supervised, Power Limited)</b>	
Voltage	24V dc
Current	0.30mA to 0.33mA
<b>Spur output (Style 4, Class B, Supervised, Power Limited)</b>	
Voltage	24V dc
Current	2mA to 500mA
Line impedance	50Ω (max)
<b>Environmental</b>	
Operating temperature	0°C to 49°C
Humidity (non condensing)	0 to 93 %RH
<b>Physical</b>	
Dimensions (H x W x D)	129mm x 180mm x 60mm
Weight	0.28kg
Ingress protection	IP65
<b>Compatibility</b>	
Suitable for use with	Eaton UL fire systems

### Notes:

No addressing of the interface is required (see control panel operation for details).

A spur isolator unit must be used when making spurs from the intelligent addressable panel loop. Without this unit, the self addressing features of the system will not function correctly.

Description	Field wiring SLC circuit (input)	Single channel (input)
Wiring gauge	12 Max AWG	12 Max AWG
Wiring class	Class A Style 7	Class B Style 4
Ground fault impedance	0.1Ω	0.1Ω
Supervised, power limited	Yes	Yes
Max line impedance	50Ω	50Ω

## Catalogue numbers

Description	Code
Spur isolator unit	ULCSI350