

Technical Data

SIGNALING



LISTED
FIRE ALARM
EQUIPMENT
4AC5

Signalling Line Circuit Style 7, Class A Supervised, Power Limited

Current	335uA (nom) 395uA (Max)
Operating Voltage (nom)	24VDC (nom)
Line Impedance	50Ω (nom)

Output 1 (Programmable)

Voltage	120 V AC (Min) 230 V AC (Max)
Contact Rating	1 (Nom) A Resistive, PF1

Environmental

Operating Temperature	0°C - 49 °C
Humidity (Non Condensing)	93% RH

Standards

UL864 9th Edition

Compatibility

Suitable for use with Eaton Analogue Addressable Fire Systems

Physical Characteristics

Dimensions	180mm x 129mm x 60mm
Weight	0.28kg
Ingress Protection	IP65

Installation

1. Separate the two halves of the unit.
2. Drill out (or knock out) the required cable entries in the surface mounting back-box.
3. Fit the back-box in position and pass the wires into it.
4. Connect the unit according to the diagram below.
5. The single channel I/O, ULCMIO353 is suitable for one conduit connection. The hub shall be connected to the conduit before the hub is connected to the enclosure

Notes: No addressing of the interface is required. See control panel operation for details.

Description	SLC Field Wiring (input)	Output 2
Wiring Gauge	12 Max AWG	12 Max AWG
Wiring Class	Class A Style 7	NA
Ground Fault Impedance	0.1Ω	0.1Ω
Supervised, power limited	Yes	Programmable

Output 1, operation: Normal standby, alarm

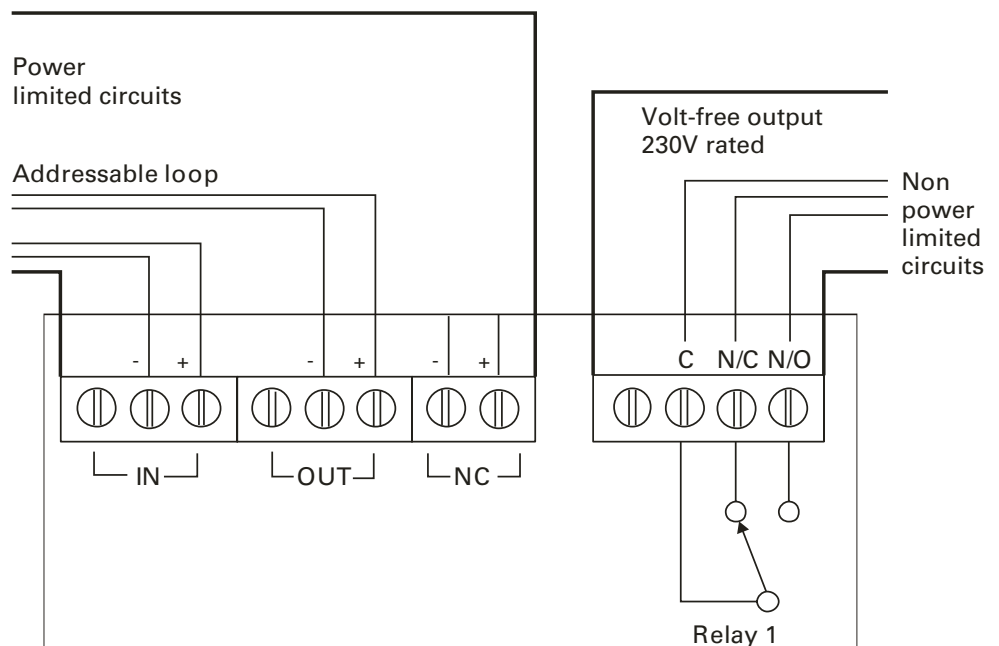
Notes: The end of line resistor must always be fitted, even if the inputs are unused. Installer / Service Engineer must ensure it is fitted.

⚠ WARNING

Segregate mains cable from other connections to this unit. 120V / 230V Relay output is un-fused. Ensure that the 120V / 230V supply feeding this unit is adequately protected



Standard Connections



Eaton Electrical Systems Ltd.
Wheatley Hall Road
Doncaster
DN2 4NB
TEL: +44 (0) 1302 303303
FAX: +44 (0) 1302 367155

Eaton
EMEA Headquarters
Route de la Longeraie 7
1110 Morges, Switzerland
Eaton.eu
TEL: +44 (0) 1302 321541
FAX: +44 (0) 1302 303220
Firesales@eaton.com
Firetechsupport@eaton.com

© 2018 Eaton
All Rights Reserved
Eaton is a registered trademark.
All trademarks are property
of their respective owners.
www.eaton.com