

ULCMIO353 - UL 230V ac relay unit



An extensive range of interfaces are available to support the Eaton range of UL intelligent addressable control panels, providing solutions for most design requirements.

The UL 120V ac / 230V ac relay unit (ULCMIO353) enables simple interfacing between the fire system and other equipment such as nurse call systems or access control systems.

The ULCMIO353 is supplied with a set of change over contacts rated at 1A (resistive) and with the ability of the output unit to switch mains also makes the unit ideal for plant control or mains powered door holders.

Features and benefits

- Soft addressed
- Integral short circuit isolator
- Single address
- Mains rated relay unit
- Input monitored for open and short circuits
- Quick and simple to install
- No hard addressing required (plug and play)
- The unit includes 1 input and 1 output

Technical specification

Code	ULCMIO353
Description	120V ac / 230V ac Relay Unit
Standards	UL864 9th edition
Signalling line circuit (Style 7, Class A, Supervised, Power Limited)	
Voltage	24V dc
Current	335µA to 395µA
Line impedance	50Ω
Output 1 (programmable)	
Voltage	120V ac to 230V ac
Contact rating	8A
Power factor	1
Environmental	
Operating temperature	0°C to 49°C
Humidity (non condensing)	0 to 93 %RH
Physical	
Dimensions (H x W x D)	129mm x 180mm x 60mm
Weight	0.28kg
Ingress protection	IP65
Compatibility	
Suitable for use with	Eaton UL fire systems

Notes:

No addressing of the interface is required (see control panel operation for details).

Installation

- Separate the two halves of the unit and remove the PCB.
- Drill out (or knock out) the required cable entries in the surface mounting back-box.
- Fit the back-box in position and pass the wires into it. Refit the PCB.
- Connect the unit according to the standard connection diagram supplied with the unit.
- This unit is suitable for one conduit connection. Only the mains is allowed this conduit connection. The hub must be connected to the conduit before the hub is connected to the enclosure.

Operation

Output 1 operation:

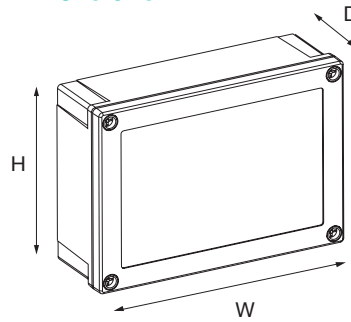
Normal standby / alarm

Warning!

Segregate mains cable from other connections to this unit.

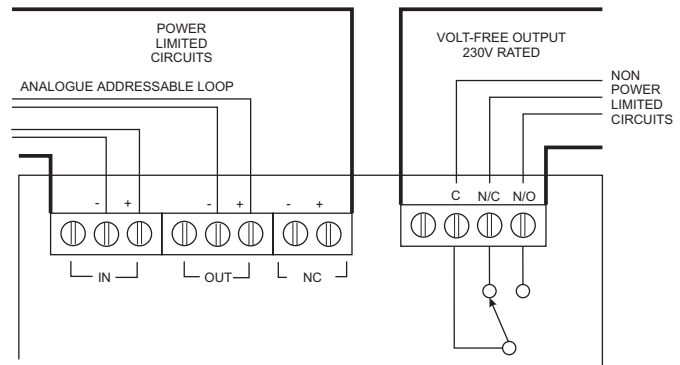
120V ac / 230V ac relay output is un-fused. Ensure that the 120V ac / 230V ac supply being switched by this unit is adequately protected.

Dimensions



H (mm)	W (mm)	D(mm)
129	180	60

Standard connections



Description	SLC field wiring (input)	Output 2
Wiring gauge	12 Max AWG	12 Max AWG
Wiring class	Class A Style 7	N/A
Ground fault impedance	0.1Ω	0.1Ω
Supervised, power limited	Yes	Programmable

Catalogue numbers

Description	Code
230V ac relay unit	ULCMIO353