

Technical Data

Signalling Line Circuit Style 7, Class A Supervised, Power Limited

Current (nom)	4.9mA to 5.0mA
Operating Voltage (nom)	24 VDC

Detector Zone Style D, Class A, Supervised, Power Limited

Voltage	21 VDC to 26 VDC (22.9 nom)
Current	17mA to 40mA
Line Impedance (max)	25Ω
End Of Line Resistor	5.6kΩ
Fire Input Trigger	680kΩ

Environmental

Operating Temperature	0°C - 49 °C
Humidity (Non Condensing)	93% RH

Standards

UL864 9th Edition

Compatibility

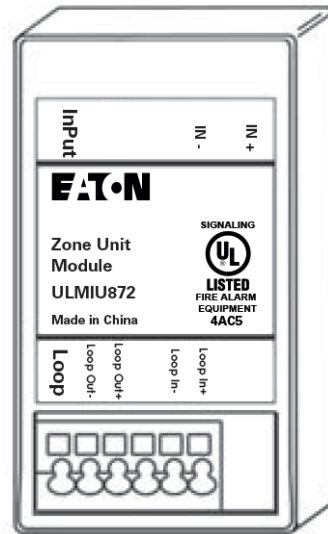
Suitable for use with Eaton Analogue Addressable Fire Systems

Physical Characteristics

Dimensions	63mm x 35mm x 18.5mm
Weight	> 0.1gm
Ingress Protection	IP40
Wiring cable (max)	1.5mm

ULMIU872

Single zone input unit, soft addressed and incorporates integral short circuit isolators



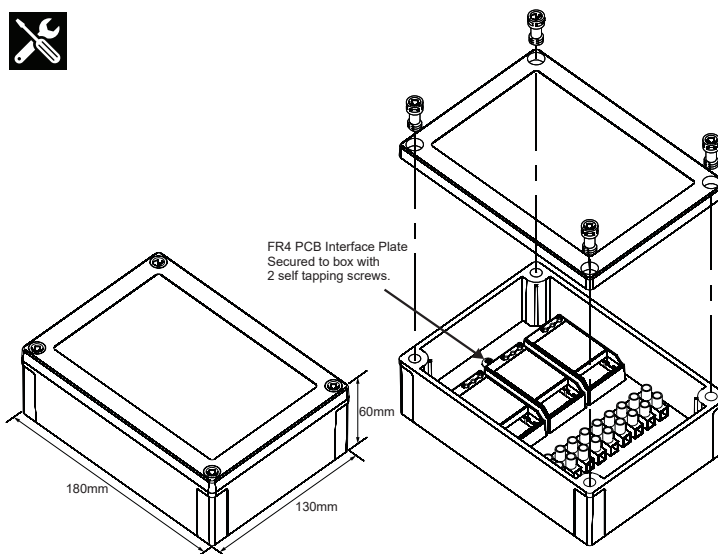
Installation

1. Fit the box in position using the mounting details below.
2. Connect the unit according to the diagram below.
3. Recommended cable Type FPLP (plenum cable), Type FPLR (riser cable), or Type FPL
4. ULMIU872 module can be fitted inside a junction box.
5. Up to 3 ULMIU872 modules can be fitted inside the Fibox enclosure per the drawing below.

Notes: No addressing of the interface is required. See control panel operation for details.

Short Circuit Isolation Data (Integral with each detector)

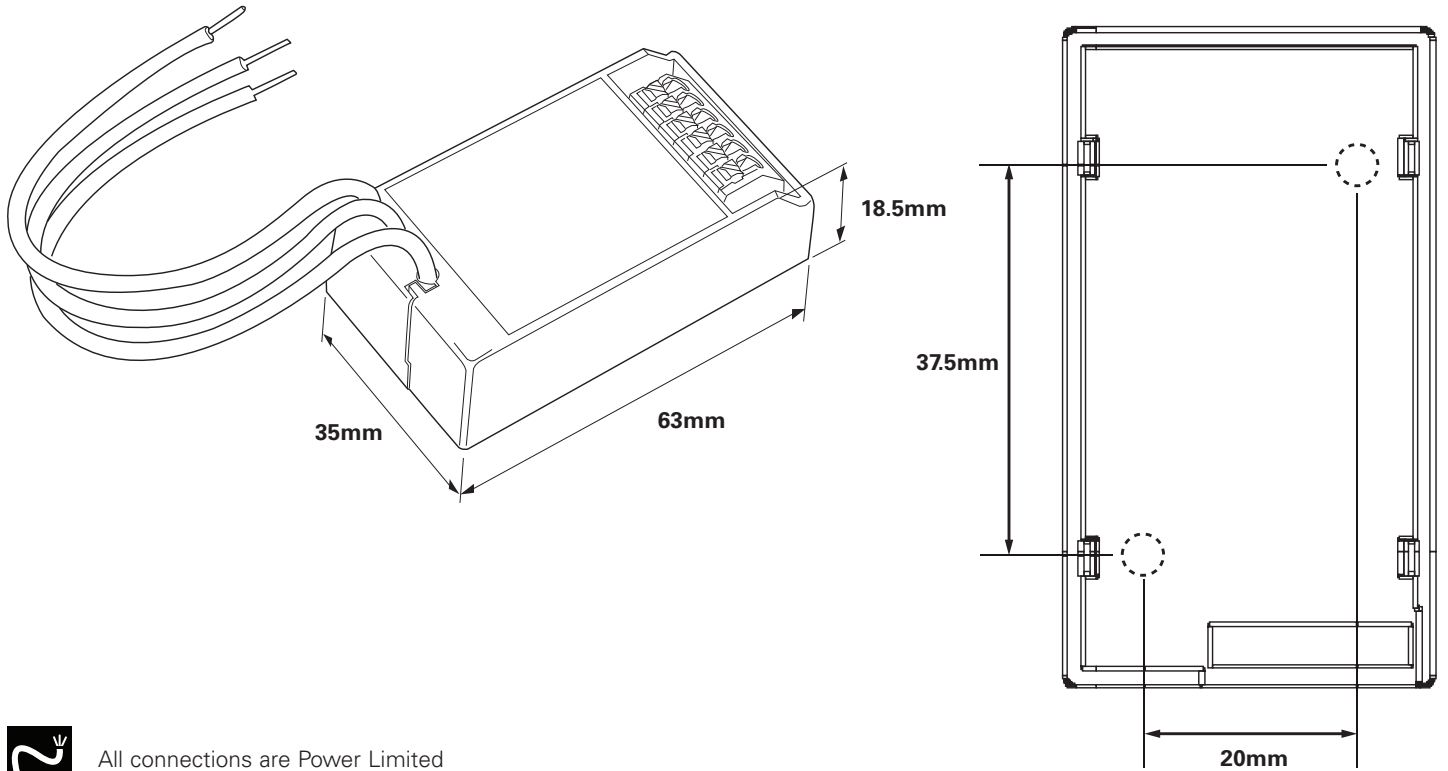
Description	Field Wiring SLC Circuit (input)	Detector Zone
Wiring Gauge	12 Max AWG	12 Max AWG
Wiring Class	Class A Style 7	Class B Style C
Ground Fault Impedance	0.1 Ohm	0.1 Ohm
Supervised, power limited	Yes	Yes



The module **must** be housed in Fibox Oy AB model PC 150/60 HG or any UL Listed Enclosure rated 5VA minimum with the same or greater dimensions as shown.

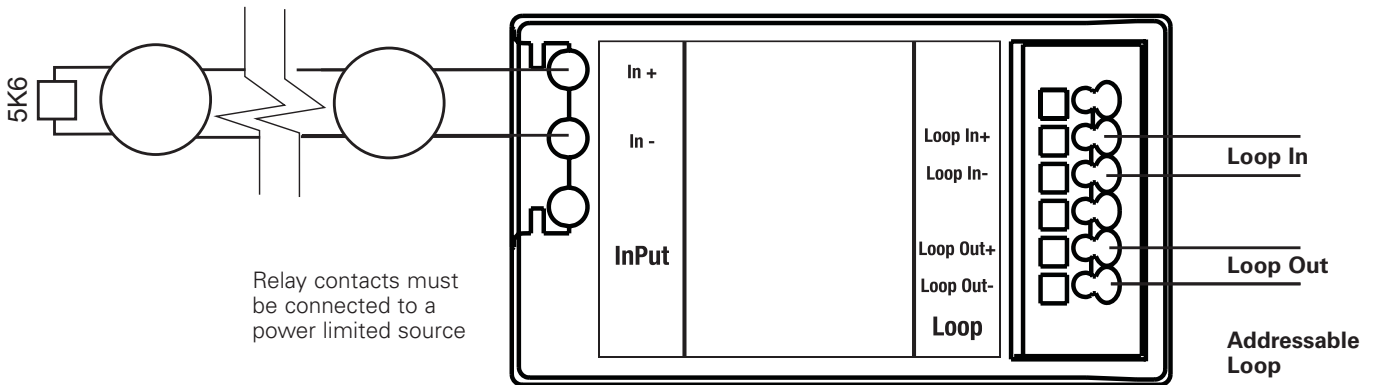


(Drilling positions, template over leaf)



All connections are Power Limited

**Maximum 20
Conventional
Detectors**



Notes: Output relay are volt-free contacts and are not monitored.