

Technical Data

SIGNALING



LISTED
FIRE ALARM
EQUIPMENT
4AC5

Signalling Line Circuit Style 7, Class A Supervised, Power Limited

Current	1.14mA (nom) 1.36mA (Max)
Operating Voltage (nom)	24VDC (nom)
Line Impedance	50Ω (nom)

Inputs 1, 2, 3 Contact Only Initiating Circuit Style C, Class B Supervised power limited

Voltage	8.4VDC (Max)
Current	1mA (Max)
Line Impedance	16Ω (Max)
Trigger Resistance	5.6kΩ (nom)
End Of Line Resistor	22kΩ (nom)

Output 1, 2, 3 3 Contact Set Programmable

Voltage	24VDC (nom) 30VDC (Max)
Contact Rating	1 (Max) A Resistive, PF1
Switching Power	33kΩ (min)
Power factor	1 (nom)

Environmental

Operating Temperature	0°C - 49 °C
Humidity (Non Condensing)	93% RH

Standards

UL864 9th Edition

Compatibility

Suitable for use with Eaton Addressable Fire Systems
--

Physical Characteristics

Dimensions	180mm x 129mm x 60mm
Weight	0.28kg
Ingress Protection	IP65

Installation

1. Separate the two halves of the unit.
2. Drill out (or knock out) the required cable entries in the surface mounting back-box.
3. Fit the back-box in position and pass the wires into it.
4. Connect the unit according to the diagram below.
5. Recommended cable Type FPLP (plenum cable), Type FPLR (riser cable), or Type FPL

Notes: No addressing of the interface is required. See control panel operation for details.

Description	SLC Field Wiring (input)	Input 1, 2, 3	Output 1, 2, 3
Wiring Gauge	12 Max AWG	12 Max AWG	12 Max AWG
Wiring Class	Class A Style 7	Class B Style C	NA
Ground Fault Impedance	0.1Ω	0.1Ω	0.1Ω
Supervised, power limited	Yes	Yes	Programmable

Input 1, 2, 3 Operation : Normal Standby (Default), Alarm, NAC Silenced, Alarm Reset, Trouble, supervisory ,Drill (Features programmable using PC site installer)

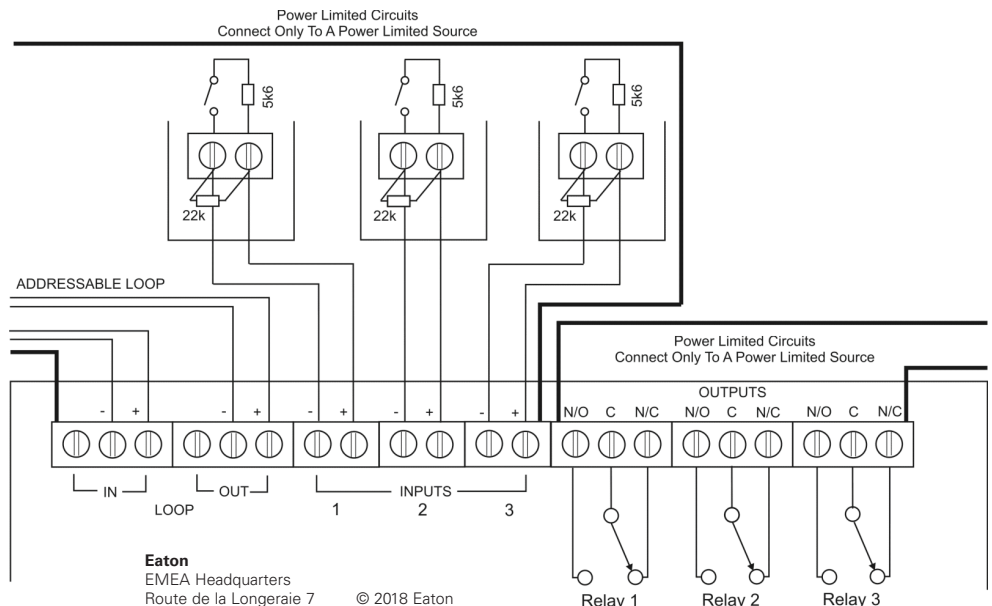
Output 1, 2, 3 Operations: Normal Standby. Alarm

Note:

1. The end of line resistor must always be fitted, even if the inputs are unused. Installer / Service Engineer must ensure it is fitted.
2. Monitored inputs can detect open circuit, short circuit or ground faults
3. Output relays are volt-free contacts and are not monitored, but must be connected to power limited source.
4. Each I/O channel consumes a separate address and has the facility for separate text for each channel.



Standard Connections



Eaton
EMEA Headquarters
Route de la Longeraie 7
1110 Morges, Switzerland
Eaton.eu
TEL: +44 (0) 1302 321541
FAX: +44 (0) 1302 303220
Firesales@eaton.com
Firetechsupport@eaton.com

© 2018 Eaton
All Rights Reserved
Eaton is a registered trademark.

All trademarks are property
of their respective owners.
www.eaton.com

