

ULCIO351 - UL 3 channel I/O unit



An extensive range of interfaces are available to support the Eaton range of UL intelligent addressable control panels, providing solutions for most design requirements.

The UL 3 channel I/O unit (ULCIO351) enables simple interfacing between the fire system and other equipment such as nurse call systems or access control systems.

The inputs are fully monitored for open, short circuits and ground trouble.

Features and benefits

- Soft addressed
- Integral short circuit isolator
- 3 separate inputs and 3 separate outputs
- Inputs monitored for open and short circuits
- Quick and simple to install
- No hard addressing required (Plug and play)
- Unit takes 3 inputs and 3 outputs
- Only 1 address required to monitor and control saving on equipment and installation

Technical specification

Code	ULCIO351
Description	3 channel I/O unit
Standards	UL864 9th edition
Signalling line circuit (Style 7, Class A, Supervised, Power Limited)	
Operating voltage	24V dc
Current	1.14mA to 1.36mA
Line impedance	50Ω
Inputs 1, 2, 3 contact only initiating circuit (Style C, Class B, Supervised, Power Limited)	
Voltage	8.4Vpp (pulsed every 1 sec)
Current	1mA (max)
Line impedance	16Ω (max)
Trigger resistance	5.6kΩ
End of line resistor	22kΩ
Output 1, 2, 3 (3 contact set programmable)	
Voltage	24V dc to 30V dc
Current	1A (max, resistive PF1)
Switching power	33kΩ (min)
Power factor	1
Environmental	
Operating temperature	0°C to 49°C
Humidity (non condensing)	0 to 93 %RH
Physical	
Dimensions (H x W x D)	129mm x 180mm x 60mm
Weight	0.28kg
Ingress protection	IP65
Compatibility	
Suitable for use with	Eaton UL fire systems

Notes:

No addressing of the interface is required (see control panel operation for details).

Installation

1. Separate the two halves of the unit and remove the PCB.
2. Drill out (or knock out) the required cable entries in the surface mounting back-box.
3. Fit the back-box in position and pass the wires into it. Refit PCB.
4. Connect the unit according to the standard connection diagram supplied with the unit.

Operation

Input 1, 2, 3 operation:

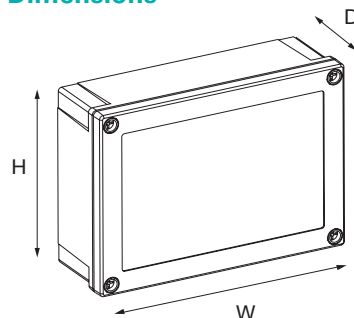
Normal standby (default) / alarm / nac silenced / alarm reset / trouble / supervisory / drill

(Features programmable using pc site installer).

Output 1, 2, 3 operations:

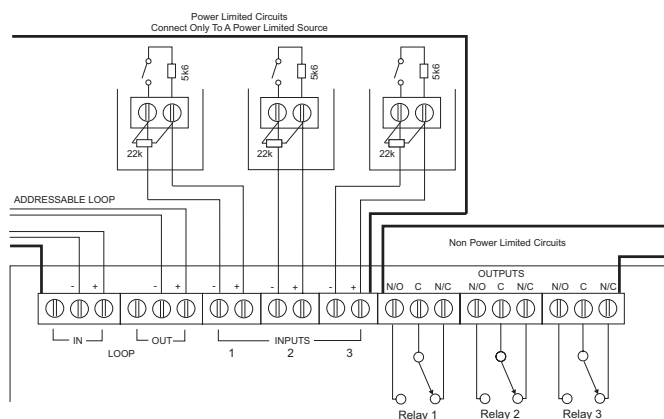
Normal standby / alarm

Dimensions



H (mm)	W (mm)	D (mm)
129	180	60

Standard connections



Note:

1. The end of line resistors must always be fitted, even if the inputs are unused. Installer / service engineer must ensure it is fitted.
2. Monitored inputs can detect open circuit, short circuit or ground faults.
3. Output relays are volt-free contacts and are not monitored, but must be connected to power limited source.

Description	SLC field wiring (Input)	Input 1, 2, 3	Output 1, 2, 3
Wiring gauge	12 Max AWG	12 Max AWG	12 Max AWG
Wiring class	Class A Style 7	Class B Style C	N/A
Ground fault impedance	0.1Ω	0.1Ω	0.1Ω
Supervised, power limited	Yes	Yes	Programmable

Catalogue numbers

Description	Code
3 channel I/O unit	ULCIO351