

BiWire Ultra Range:



0359-CPR-00422
Compliance EN54-11:2001

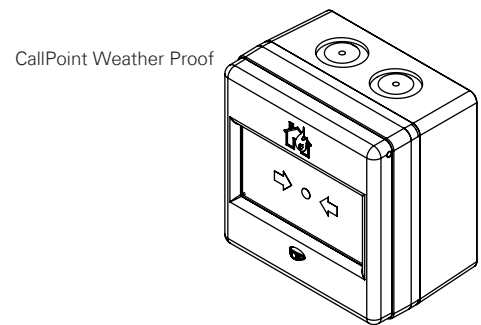
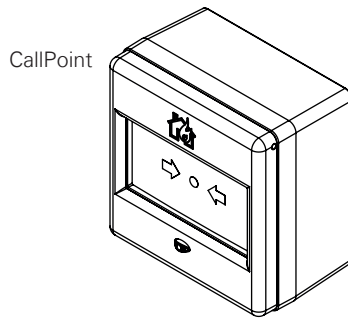
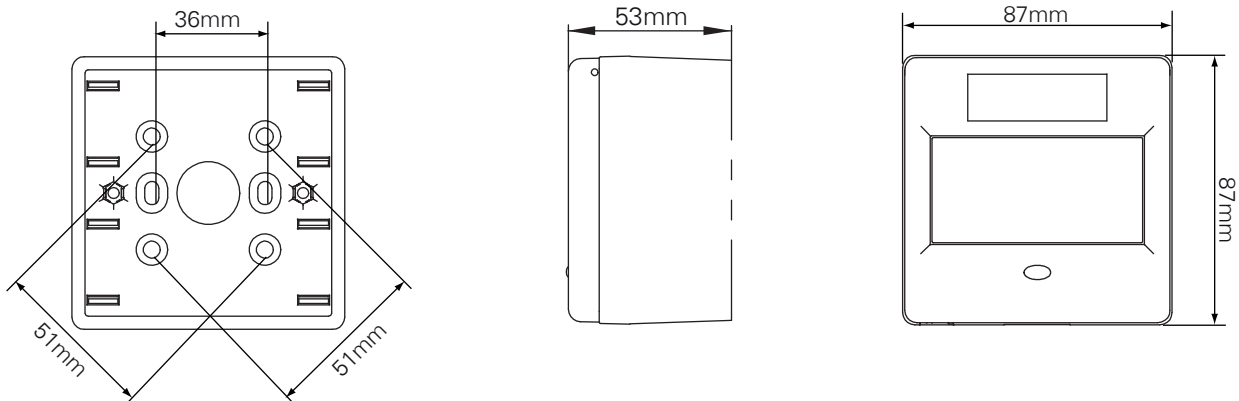


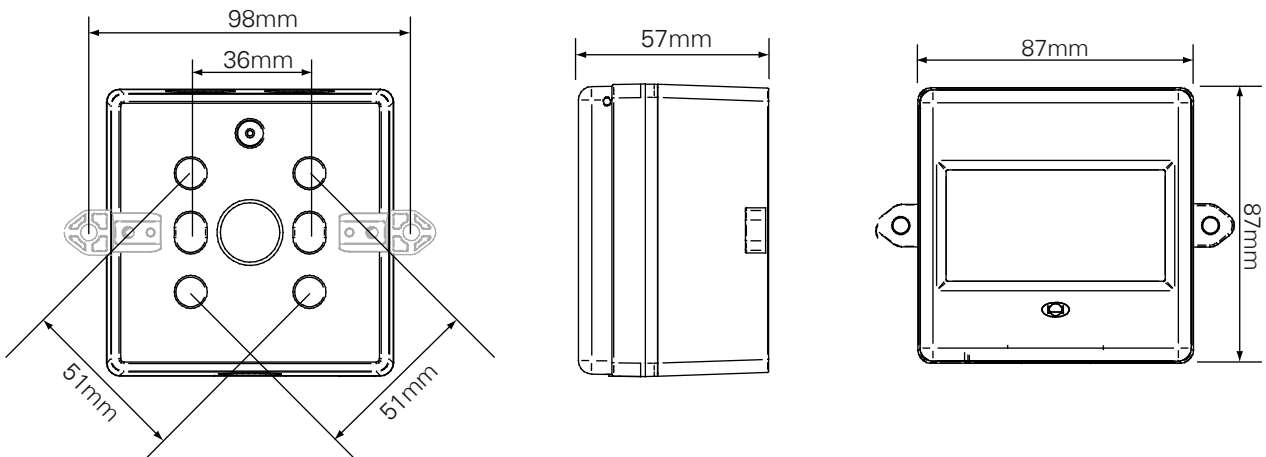
Table 1. Specification

Feature	Value	Feature	Value
Supply Voltage	18~35 Vdc	Operating Temperature (Type A)	-10 to +55°C (95%RH)
Cable Size/type	0.28mm ² ~ 2.5mm ² Cable shall comply with applicable standard	Operating Temperature (Type B)	-25 to +70°C (95%RH)
Standby Current	<22μA	Material	ABS FR Plastic
Alarm Current	20mA	Environmental Category	Type A= IP21C/ Type B= IP66
Low Level Alarm Current	1mA	LED Indicator	Red

1. Indoor CallPoint (Type A)

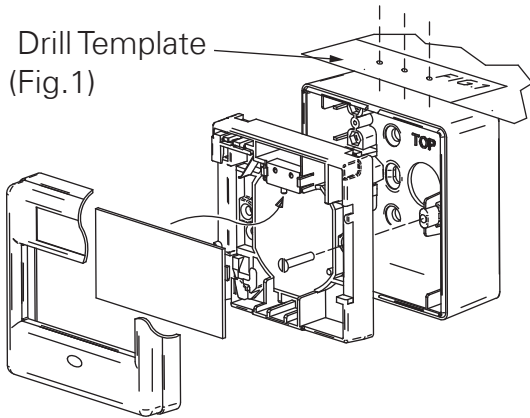


2. Weather Proof CallPoint (Type B)

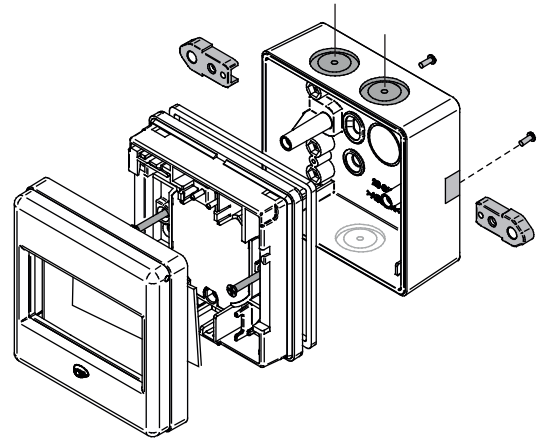


Powering Business Worldwide™

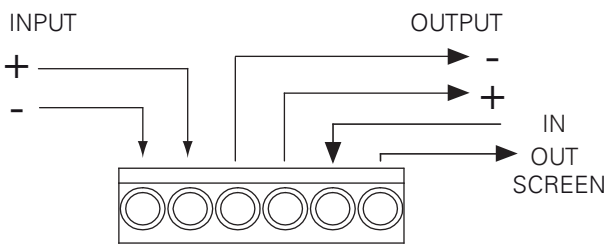
3. Exploded View (Type A)



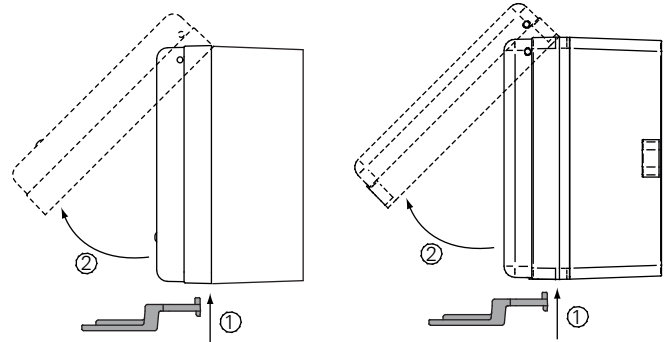
4. Exploded View (Type B)



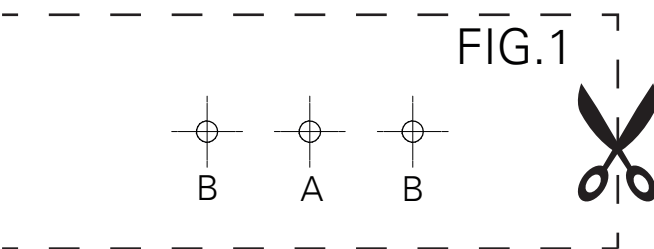
5. Wiring Details



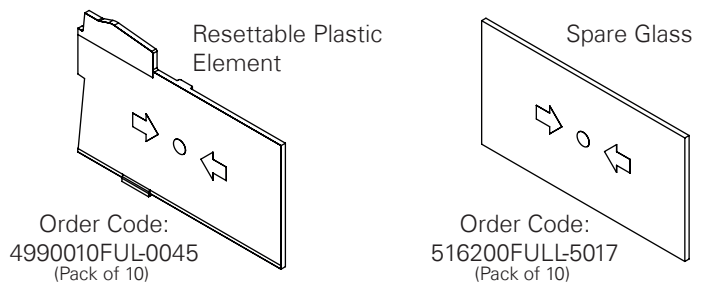
6. Removing Front Cover



7. Drill Template



8. Accessories



Cooper Lighting and Safety Ltd.
Wheatley Hall Road,
Doncaster,
South Yorkshire,
DN2 4NB,
United Kingdom
www.cooperfire.com

Technical
Tel: +44 (0)1302-303350
techsupport@cooperfire.com

Eaton Industries Manufacturing GmbH
Electrical Sector EMEA
Route de la Longeraie 7
1110 Morges, Switzerland
Eaton.eu

© 2014 Eaton
All Rights Reserved
Made in the U.K.
Publication No. 25-12769-A
September 2014

Eaton is a registered trademark.
All other trademarks are property
of their respective owners.