

APH20T-ENC - Weatherproof horn speaker



Rated to IP66 with a steel U bracket the APH20T-ENC is a practical solution for most environments including car parks, courtyards and warehouses.

Designed for installation in outdoor or ambient temperature areas the APH20T-ENC provides a wide angle of sound coverage and is constructed with UL-94V0 plastic to prevent discoloring when used in direct sunlight.

Features and benefits

- Up to 115dB(A) at 1 metre
- IP66 rated
- EN54-24 certified
- Simple U bracket mount
- Constructed from UL-94V0 plastic featuring UV inhibitors

Specifier's guide

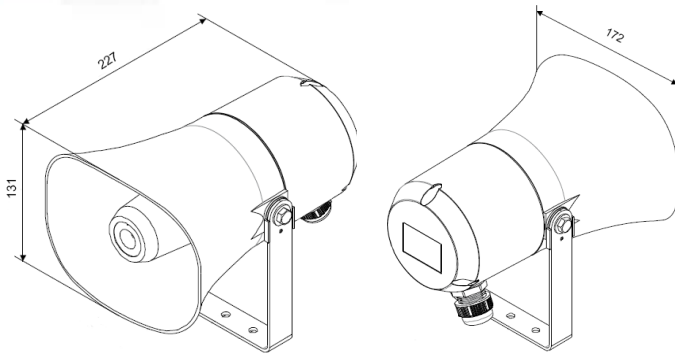
6.3 Speakers

Technical specification

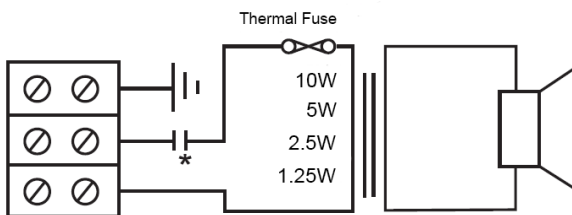
Code	APH20T-ENC
Maximum Rated Power	20W
Material	Low smoke zero halogen, UL-940V0 plastic with UV inhibitors
Colour	White RAL9016
IP Rating	IP66
Average S.P.L	95dB
Net Weight	1.6Kg
Temperature Range	- 25°C to + 70°C
Relative Humidity	≤95
Effective Frequency Range	340-16,000Hz
Tappings @70V	5/2.5/1.25/0.625W
Tappings @100V	10/5/2.5/1.5W
Driver Impedance	8 Ohms

Dimensions

Description	W (mm)	H (mm)	D(mm)
Sound projectors	172	131	227



Circuit Diagram



Catalogue numbers

Description	Code
Weatherproof horn speaker	APH20T-ENC