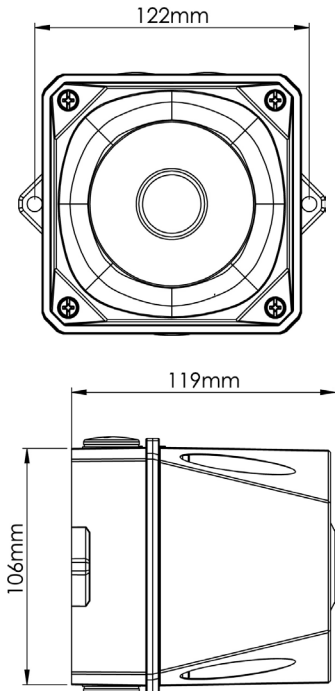


X10 Mini Sounder

The X10 Mini sounder is an industrial signaling alarm, available in 4 fade resistant body colours, and high and low voltage variants. It is certified to IP66 and IP69K, and verified to operate at extreme temperatures -40°C to 70°C, and is therefore suitable for use in harsh conditions where a robust industrial sounder is required. The X10 Mini sounder comes with an Eaton 10 year Extended Warranty and offers up to 100 dB(A) with 102 tones, and a versatile 4 stage alarm to allow you to retrofit to an existing installation.

Technical specifications

X10 Mini Sounder				
	Low voltage DC / AC product		AC Mains product	
Rated voltage	10V - 60V DC	10V - 30V AC	115V AC	230V AC
Sounder only* (DIN Tone, High Vol)	20 - 35 mA	50 - 85 mA	72 mA	32 mA
Sound output	100dB			
Alarm tones	102			
Alarm stages	4			
Stage control options	+ve low voltage trigger -ve low voltage trigger +ve supply voltage trigger -ve supply voltage trigger Reverse polarity trigger		Dry /0 volt contact trigger	
Operating temperature	-40°C to +70°C			
Ingress Protection (IP) rating	IP66 and IP69K (dust ingress/high pressure water jets)			
Warranty	10 years**			
Material	UV stabilised polycarbonate ASA			
Colour - housing	Red (RAL 3001) White (RAL9003) Dark grey (RAL7012) Light grey (RAL7035)			
Cable entry	Top: 2 x M20 threaded cable entries Bottom: 1 x M20 threaded cable entry			
Connecting terminals	up to 2.5mm ²			
Weight	0.765kg (AC Mains); 0.480kg (Low voltage DC / AC)			



* Supply current range is based on variation of the supply voltage. A change in tone or volume settings will also impact the supply current





** Terms and Conditions apply

Key features

- 100 dB(A) output
- IK08 Impact resist and Dual IP Rated to IP66 and IP69K
- 10 year warranty**
- 102 tones facilitates install and retrofits accommodating a wide range of Industry requirements
- 4 fade resistant housing colours available
- Up to 4 stage alarm, with multiple alert and control possibilities for both AC and DC variants
- Temperature range -40°C to +70°C
- Captive salt water resistant stainless steel fasteners
- M20 pre drilled threaded cable entries fitted with IP69K blanking plugs as standard
- UV stabilised polycarbonate ASA
- Low Inrush current with a range of dB(A) outputs

X10 Housing colours

Housing colours

	R1 = Red (RAL3001)
	G1 = Dark grey (RAL7012)
	G2 = Grey (RAL7035)
	W1 = White (RAL9003)

Catalogue numbers

Catalogue no.	Reference	Description
7092345FUL-0381	X10/CE/MN/R1/10-60 VAC-DC	X10 mini, red housing, 10-60 VAC-DC
7092346FUL-0382	X10/CE/MN/R1/115/230 VAC	X10 mini, red housing, 115/230 VAC
7092347FUL-0383	X10/CE/MN/W1/10-60 VAC-DC	X10 mini, white housing, 10-60 VAC-DC
7092348FUL-0384	X10/CE/MN/W1/115/230 VAC	X10 mini, white housing, 115/230 VAC
7092349FUL-0385	X10/CE/MN/G1/10-60 VAC-DC	X10 mini, industrial grey housing, 10-60 VAC-DC
7092350FUL-0386	X10/CE/MN/G1/115/230 VAC	X10 mini, industrial grey housing, 115/230 VAC
7092351FUL-0387	X10/CE/MN/G2/10-60 VAC-DC	X10 mini, soft grey housing, 10-60 VAC-DC
7092352FUL-0388	X10/CE/MN/G2/115/230 VAC	X10 mini, soft grey housing, 115/230 VAC

Eaton
EMEA Headquarters
Route de la Longeraie 7
1110 Morges, Switzerland
Eaton.eu

© 2017 Eaton
All Rights Reserved
Printed in EMEA
Version 1, November 2017

Eaton is a registered trademark.

All other trademarks are property of their respective owners.