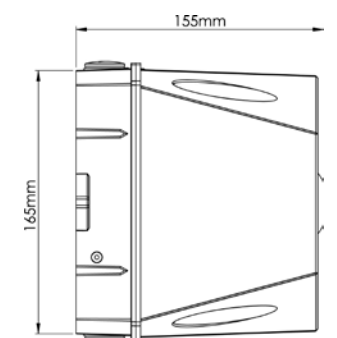
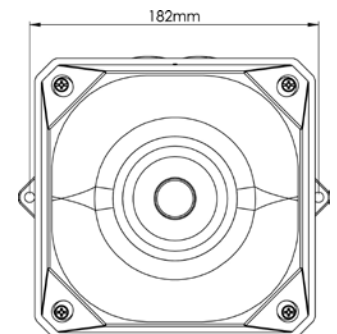


X10 Maxi Sounder

The X10 Maxi sounder is an industrial signaling alarm, available in 4 fade resistant body colours, and high and low voltage variants. It is certified to IP66 and IP69K, and verified to operate at extreme temperatures -30°C to 70°C, and is therefore suitable for use in harsh conditions where a robust industrial sounder is required. The X10 Maxi sounder comes with an Eaton 10 year Extended Warranty and offers up to 120 dB(A) with 102 tones, and a versatile 4 stage alarm to allow you to retrofit to an existing installation.

Technical specifications

X10 - Maxi Sounder				
	Low voltage DC / AC product		AC Mains product	
Rated voltage	10V - 60V DC	10V - 30V AC	115V AC	230V AC
Sounder only* (DIN Tone, High Vol)	235 - 1600 mA	650 - 2720 mA	160 mA	83 mA
Sound output	120dB			
Alarm tones	102			
Alarm stages	4			
Stage control options	+ve low voltage trigger -ve low voltage trigger +ve supply voltage trigger -ve supply voltage trigger Reverse polarity trigger		Dry /0 volt contact trigger	
Operating temperature	-30°C to +70°C			
Ingress Protection (IP) rating	IP66 and IP69K (dust ingress/high pressure water jets)			
Warranty	10 years**			
Material	UV stabilised polycarbonate ASA			
Colour - housing	Red (RAL 3001) White (RAL9003) Dark grey (RAL7012) Light grey (RAL7035)			
Cable entry	Top: 2 x M20 threaded cable entries Bottom: 1 x M20 threaded cable entry			
Connecting terminals	up to 2.5mm ²			
Weight	2.395kg (AC Mains); 1.830kg (Low voltage DC / AC)			



* Supply current range is based on variation of the supply voltage. A change in tone or volume settings will also impact the supply current.





** Terms and Conditions apply

Key features

- Powerful up to 120dB(A) output
- IK08 Impact resist and Dual IP Rated to IP66 and IP69K
- 10 year warranty**
- 102 tones facilitates install and retrofits accommodating a wide range of Industry requirements
- 4 fade resistant housing colours available
- Up to 4 stage alarm, with multiple alert and control possibilities for both AC and DC variants
- Temperature range -30°C to +70°C
- Captive salt water resistant stainless steel fasteners
- M20 pre drilled threaded cable entries fitted with IP69K blanking plugs as standard
- UV stabilised polycarbonate ASA
- Low Inrush current with a range of dB(A) outputs

10X Housing colours

Housing colours

	R1 = Red (RAL3001)
	G1 = Dark grey (RAL7012)
	G2 = Light grey (RAL7035)
	W1 = White (RAL9003)

Catalogue numbers

Catalogue no.	Reference	Description
7092307FUL-0343	X10/CE/MA/R1/10-60 VAC-DC	X10 maxi, red housing, 10-60 VAC-DC
7092308FUL-0344	X10/CE/MA/R1/115/230 VAC	X10 maxi, red housing, 115/230 VAC
7092309FUL-0345	X10/CE/MA/W1/10-60 VAC-DC	X10 maxi, white housing, 10-60 VAC-DC
7092310FUL-0346	X10/CE/MA/W1/115/230 VAC	X10 maxi, white housing, 115/230 VAC
7092311FUL-0347	X10/CE/MA/G1/10-60 VAC-DC	X10 maxi, dark grey housing, 10-60 VAC-DC
7092312FUL-0348	X10/CE/MA/G1/115/230 VAC	X10 maxi, dark grey housing, 115/230 VAC
7092313FUL-0349	X10/CE/MA/G2/10-60 VAC-DC	X10 maxi, light grey housing, 10-60 VAC-DC
7092314FUL-0350	X10/CE/MA/G2/115/230 VAC	X10 maxi, light grey housing, 115/230 VAC

Eaton
EMEA Headquarters
Route de la Longeraie 7
1110 Morges, Switzerland
Eaton.eu

© 2018 Eaton
All Rights Reserved
Printed in EMEA
Version 1.1, January 2018