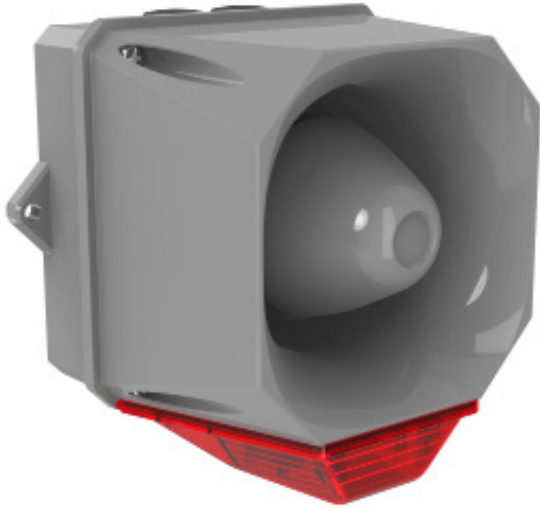


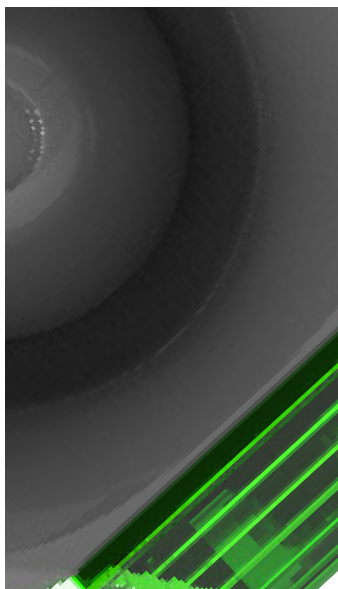
Industrial notification

X10 industrial sounder and sounder beacon



Key features

- IK08 Impact resist and Dual IP Rated to IP66 and IP69K
- 10 year warranty*
- 102 tones facilitates install and retrofits accommodating a wide range of Industry requirements
- 6 lens colours available, Mini/Midi secured by 1 single ¼ turn captive fastener, Maxi secured by salt resistant stainless steel screws
- 4 fade resistant housing colours available
- Up to 4 stage alarm, with multiple alert and control possibilities for both AC and DC variants
- Modular LED beacon capable of multiple functionality on / off; 1/2Hz (30FPM) / 1Hz (60FPM)
- Temperature range -40°C to +70°C (Mini/Midi); -30°C to +70°C (Maxi)
- Captive salt water resistant stainless steel fasteners
- M20 pre drilled threaded cable entries fitted with IP69K blanking plugs as standard
- UV stabilised polycarbonate ASA
- Low Inrush current with a range of dB(A) outputs



The X10 industrial sounder, and sounder beacon range are tough and durable signalling solutions, designed to meet the challenges within the harshest of environments.

The X10 range is versatile and flexible by design, perfect for new systems, standalone or retrofit installations. With a range of housing sizes and lens colours to choose from, the X10 offers you maximum choice with minimum SKUs:

- 3 housing sizes: Mini 100dB | Midi 110dB | Maxi 120dB
- Voltage range:
10–60V DC and 10–30V AC
115/230V AC

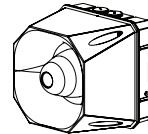
The X10 provides an array of unique features including its innovative 5 joule equivalent LED modular beacon and a wide voltage range.

Its versatility makes it the ideal solution where clear and dependable signalling is required. The X10 certainly signals a change in industrial notification.

Colour options

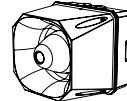
X10 Housing

Maxi



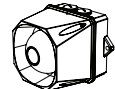
R1 = Red (RAL3001)

Midi



G1 = Dark grey (RAL7012)

Mini



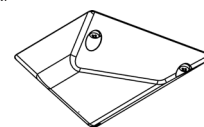
G2 = Light grey (RAL7035)



W1 = White (RAL9003)

X10 Modular lenses

Maxi



RL = Red lens

Midi



AL = Amber lens

Mini



BL = Blue lens



GL = Green lens

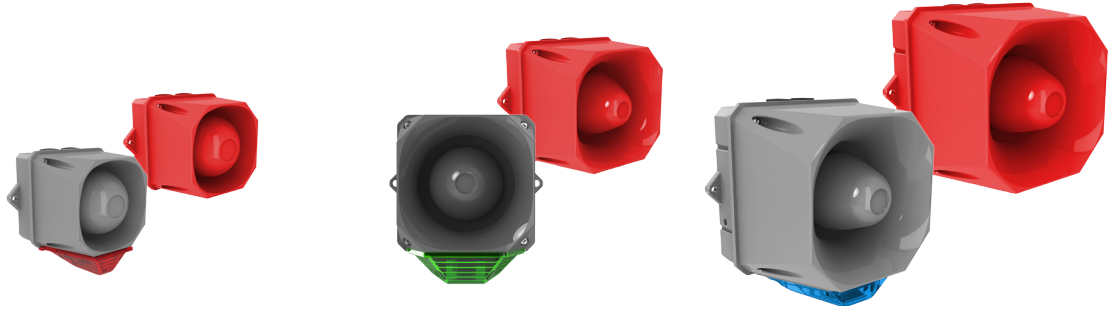


CL = Clear lens



ML = Magenta lens

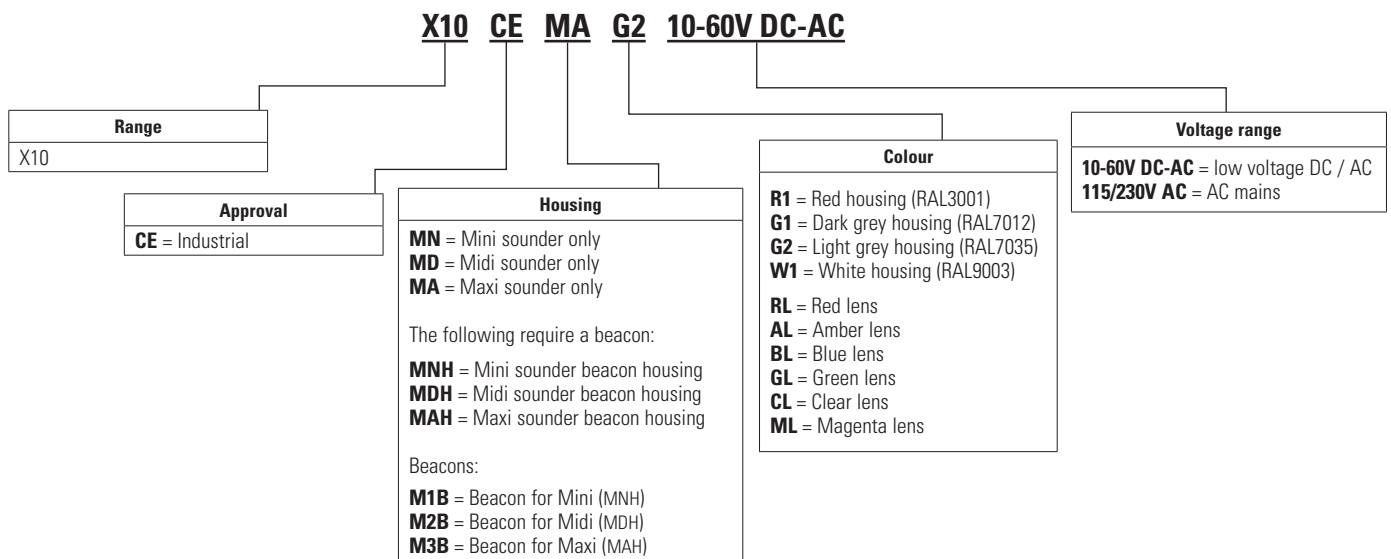
Key technical specifications



	X10 - Mini				X10 - Midi				X10 - Maxi			
	Low Voltage DC / AC		AC Mains		Low Voltage DC / AC		AC Mains		Low Voltage DC / AC		AC Mains	
	10V - 60V DC	10V - 30V AC	115V AC	230V AC	10V - 60V DC	10V - 30V AC	115V AC	230V AC	10V - 60 V DC	10V - 30V AC	115V AC	230V AC
SNDR ONLY** DIN Tone, High Vol	20 - 35 mA	50 - 85 mA	65 mA	32 mA	35 - 100 mA	75 - 150 mA	69 mA	34 mA	235 - 1600 mA	650 - 2720 mA	160 mA	83 mA
AV** DIN Tone, High Vol, 1Hz Flash	35 - 130 mA	85 - 235 mA	67 mA	33 mA	45 - 200 mA	115 - 400 mA	71 mA	35 mA	250 - 1725 Ma	705 - 2920 mA	168 mA	87 mA
Sound pressure level	100dB				110dB				120dB			
Alarm tones	102											
Stage alarms	up to 4											
Flash rate	0.5Hz (30FPM) / 1Hz (60FPM) / Constant / Off											
Operating temperature	-40°C to +70°C (Mini/Midi); -30°C to +70°C (Maxi)											
IP rating	IP66 and IP69K											
IK rating	IK08											
Warranty	10 years*											
Material	UV stabilised polycarbonate ASA											
Colour - housing	Red (RAL 3001); White (RAL9003); Dark grey (RAL7012); Light grey (RAL7035)											
Colour - beacon	Red, Magenta, Amber, Clear, Blue, Green											
Cable entry	Top: 2 x M20 threaded cable entries Bottom: 1X M20 threaded cable entry											
Connecting terminals	up to 2.5mm ²											

Product ordering/part numbers

Important note: If you are ordering a sounder beacon you need to order two parts, i.e. sounder beacon housing and beacon, e.g for the sounder beacon housing of a Midi: X10/CE/MDH/R1/10-60VAC-DC and a Midi beacon with an amber lens X10/CE/M2B/AL



* Terms and conditions apply.

** Supply current range is based on variation of the supply voltage. A change in Tone, Volume or Beacon settings will also impact the supply current.

Eaton
EMEA Headquarters
Route de la Longeraie 7
1110 Morges, Switzerland
Eaton.eu

© 2018 Eaton
All Rights Reserved
Printed in EMEA
Version 4, November 2018

Eaton is a registered trademark.

All other trademarks are property of their respective owners.